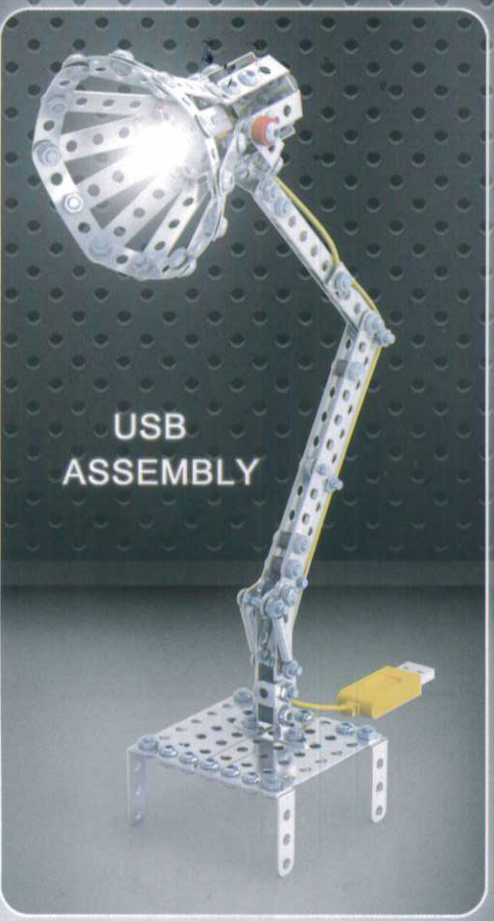


IRON COMMANDER

INSTRUCTIONS

ASSEMBLING TOYS HAVE MUCH FUN

• THERE ARE TWO DIFFERENT METHODS OF FUNCTIONAL ASSEMBLY CAN BE CHOSE
 • BELOW: ONE IS ASSEMBLING TO USE THE BATTERIES, ANOTHER IS ASSEMBLING TO USE THE USB.



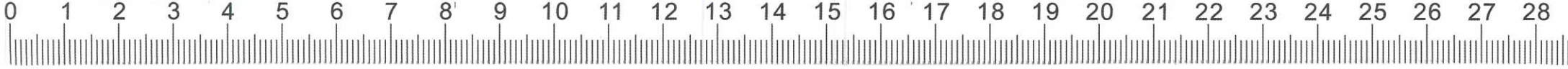
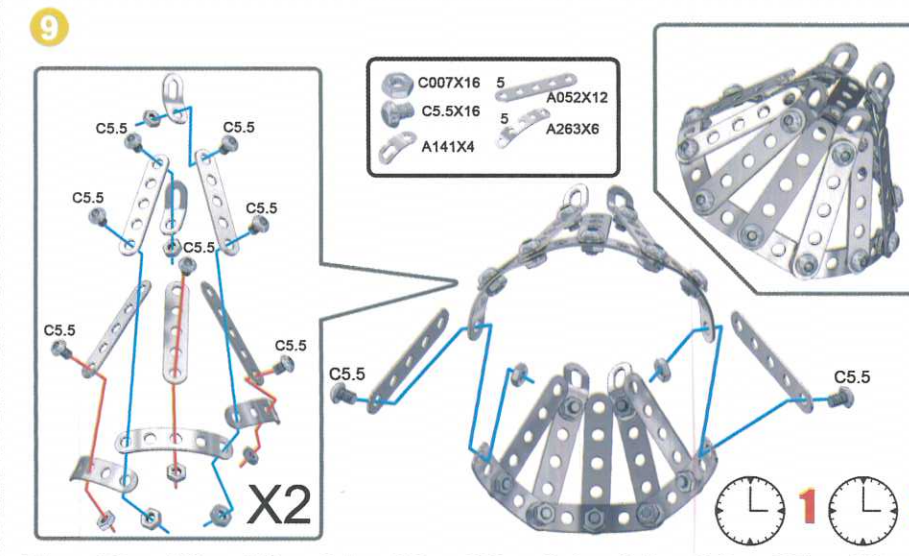
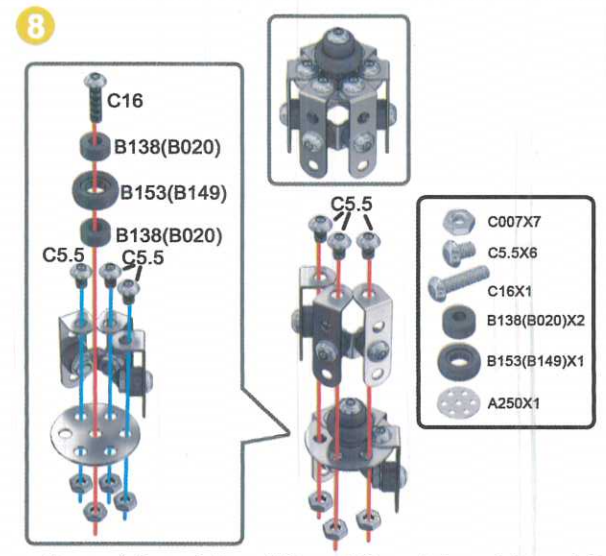
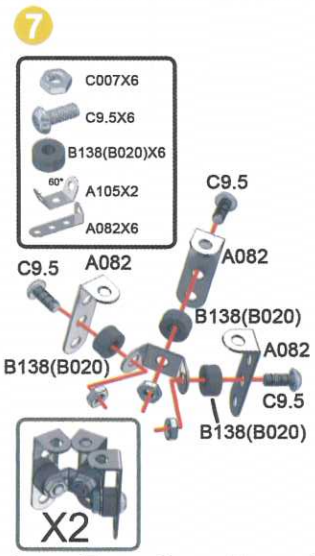
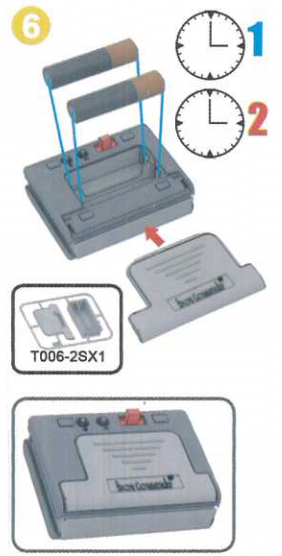
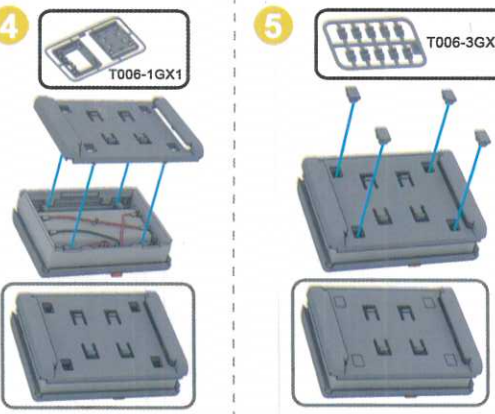
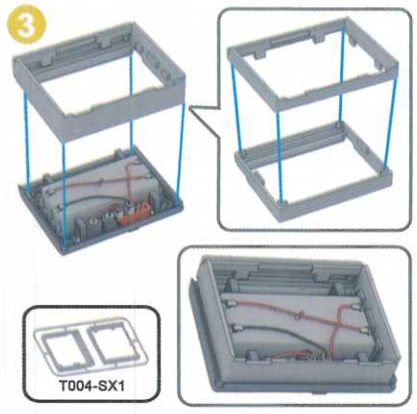
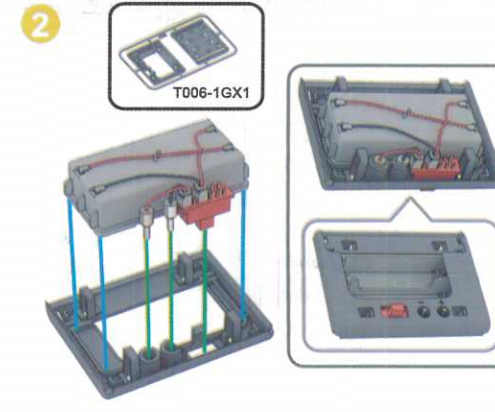
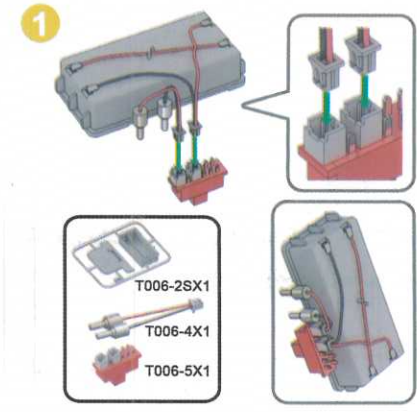
USB ASSEMBLY

271 PCS
NO.816I-12



TO CHECK THE NUMBER OF ALL ACCESSORIES BEFORE ASSEMBLING.

A001 X02	C9.5(9.5mm) X12	A076 X01	B153(B149) X01
V001 X01	C12.5(12.5mm) X05	A082 X10	B154(B150) X04
V002 X02	C16(16mm) X02	A098 X04	B165(B021) X06
V003 X02	CA7.5(3XM4.5)mmX01	A101 X01	B281(R) X01
V004 X01	CA12.5(7.5XM5)mm X02	A105 X02	S221 X01
V005 X02	CA12.5(5.5XM7)mm X02	A110 X02	T004-S X01
V006 X02	CA12.5(10XM2.5)mmX01	A141 X06	T006-1G X01
V007 X02	CA19.5(13.5XM6)mmX02	A231 X02	T006-2S X01
V009 X02	A006 X02	A250 X01	T006-3G X01
V010(70mm)X01	A038 X01	A263 X06	T006-4 X01
V011(100mm)X01	A042 X02	A293(D10d4.2H0.8)X04	T006-5 X01
C007 X74	A049 X05	Y015(126.204.240)X04	T016 X01
C5.5(5.5mm) X42	A051 X01	B138(B020) X10	T016-1 X01
C7.5(7.5mm) X04	A052 X13	B046(R)-R X02	T019-3.7VX01
	A071 X04		C001 X01



10

1
2

B165(B021) B138(B020) C12.5

- C007X10
- C5.5X9
- C12.5X1
- B138(B020)X1
- B165(B021)X1
- A082X2
- A006X2
- A231X2
- A052X1
- A051X1
- A042X2

A082 C5.5 C5.5 C5.5 C5.5 A082

11

C9.5 C9.5

A082 B165(B021) C5.5 C5.5

- C007X5
- C5.5X2
- C9.5X3
- B165(B021)X3
- A082X2
- S221X1

12

C9.5 C9.5

C12.5 A293 B154(B150) CA19.5(13.5XM6) CA12.5(10XM2.5)

CA7.5 (3XM4.5) CA19.5 (13.5XM6)

- C007X8
- C7.5X1
- C9.5X2
- C12.5X2
- CA7.5 (3XM4.5)
- CA12.5(10XM2.5)
- CA19.5(10XM2.5)
- CA19.5(13.5XM6)
- CA19.5(13.5XM6)mmX2
- A293X2
- B154(B150)X4
- Y015X4
- B281(R)X1
- A098X1
- A110X2
- A049X3
- C001X1

1
2

B154(B150) C9.5 C9.5

C12.5 A293 B154(B150) CA19.5(13.5XM6) CA12.5(10XM2.5)

13

X2 C5.5 C5.5 C7.5

A293 CA12.5(7.5XM5)

- C007X7
- C5.5X4
- C7.5X2
- CA12.5 (7.5XM5)mmX1
- A293X2
- A098X3
- A071X4
- A049X2

14

C007X1 CA12.5 (7.5XM5)mmX1

CA12.5(7.5XM5)

15

C5.5 C5.5

B046(R)-R CA12.5(5.5XM7) C5.5

C5.5 B046(R)-R CA12.5(5.5XM7)

- C007X9
- C5.5X5
- CA12.5(5.5XM7)mmX2
- B046(R)-RX2
- A141X2

16

C7.5 C12.5

C007X3 C7.5X1 C12.5X2 A101X1 T016-1X1

1 **2** **3**

17

C9.5 B165(B021) C16

B138(B020) B165(B021)

- C007X2
- C9.5X1
- C16X1
- B138(B020)X1
- B165(B021)X2
- A076X1
- A038X1

18

USB ASSEMBLY

C7.5 C12.5

C007X3 C7.5X1 C12.5X2 A101X1 T016X1 T019-3.7VX1

1 **2**

19

C9.5 B165(B021) C16

B138(B020) B165(B021)

- C007X2
- C9.5X1
- C16X1
- B138(B020)X1
- B165(B021)X2
- A076X1
- A038X1

