

6_{in}1 educational SOLAR KIT

Solar Robot
Solar Wheeler
Solar Windmill
Solar Plane
Solar Helicopter
Solar Airboat

■ BUILD 6 DIFFERENT MODELS ■

Distributed By: Electus Distribution Pty Ltd
320 Victoria Rd
Rydalmere NSW 2116 Australia
Phone: 1300 738 555
Facsimile: 1300 738 500
www.electusdistribution.com.au



MADE IN CHINA

 **WARNING:**
CHOKING HAZARD - small parts,
Not for children under 3 years.

SOLAR KIT

New 6 IN 1 educational solar kit

Solar Robot
Solar Wheeler
Solar Windmill
Solar Plane
Solar Helicopter
Solar Airboat

Assembly & Instruction

6_{in}1 educational SOLAR KIT KJ-8936



■ BUILD 6 DIFFERENT MODELS ■

6 in 1 Educational Solar Kit

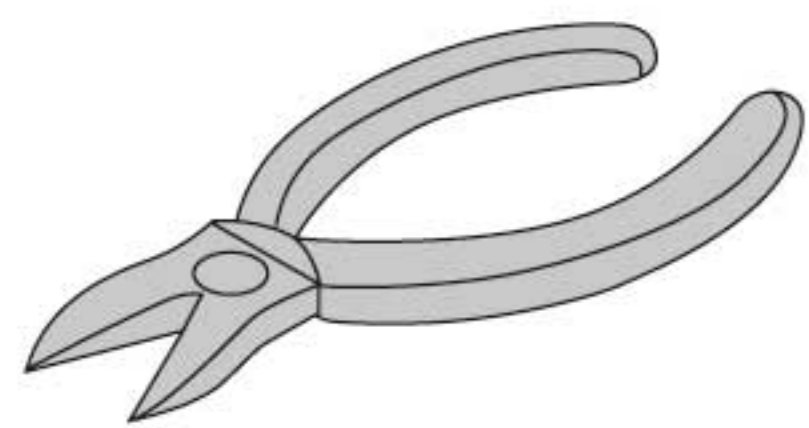
Product Introduction:

It can combine the science knowledge, practice ability with environment protection while building 6 different models. 6 in 1 solar kit -- parents and children's sensible choose!

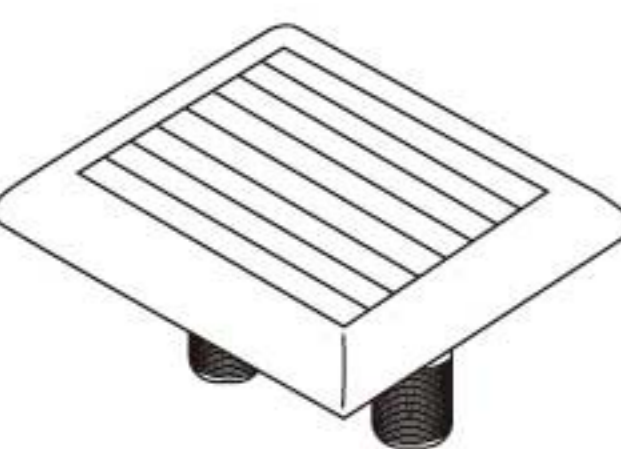
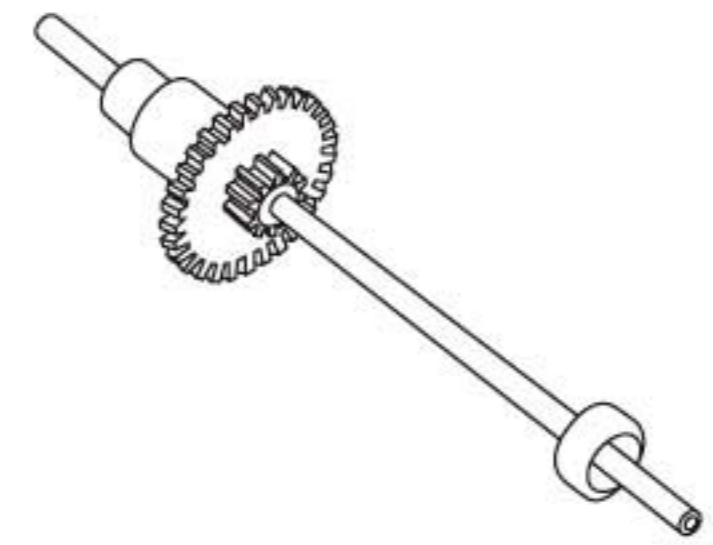
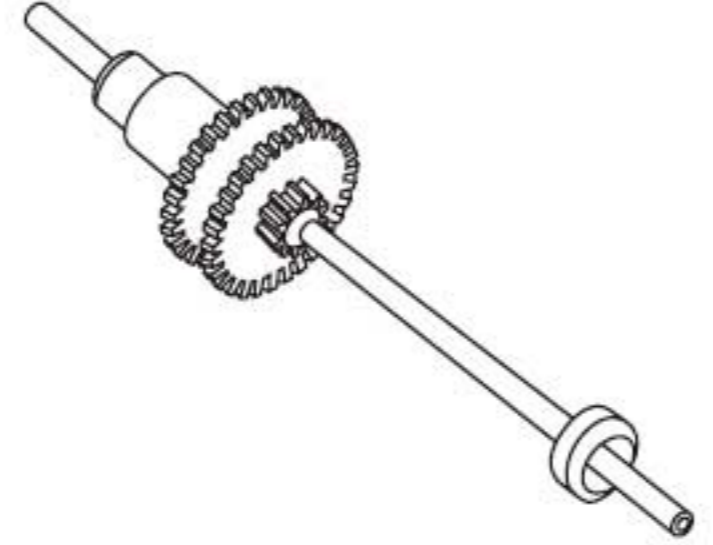
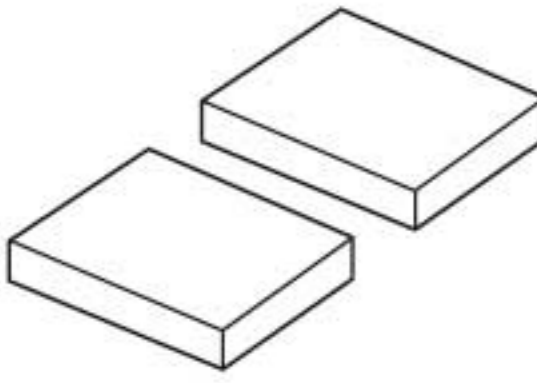
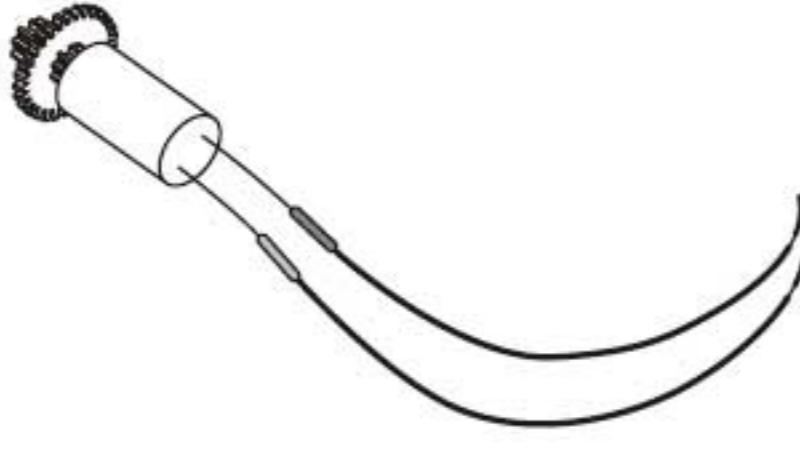
This DIY Solar Kit enables children assembling the parts and transforming into six (6) different types of motor-driven apparatus actuated by Solar Power!

Tool You May Need:

Diagonal Cutter

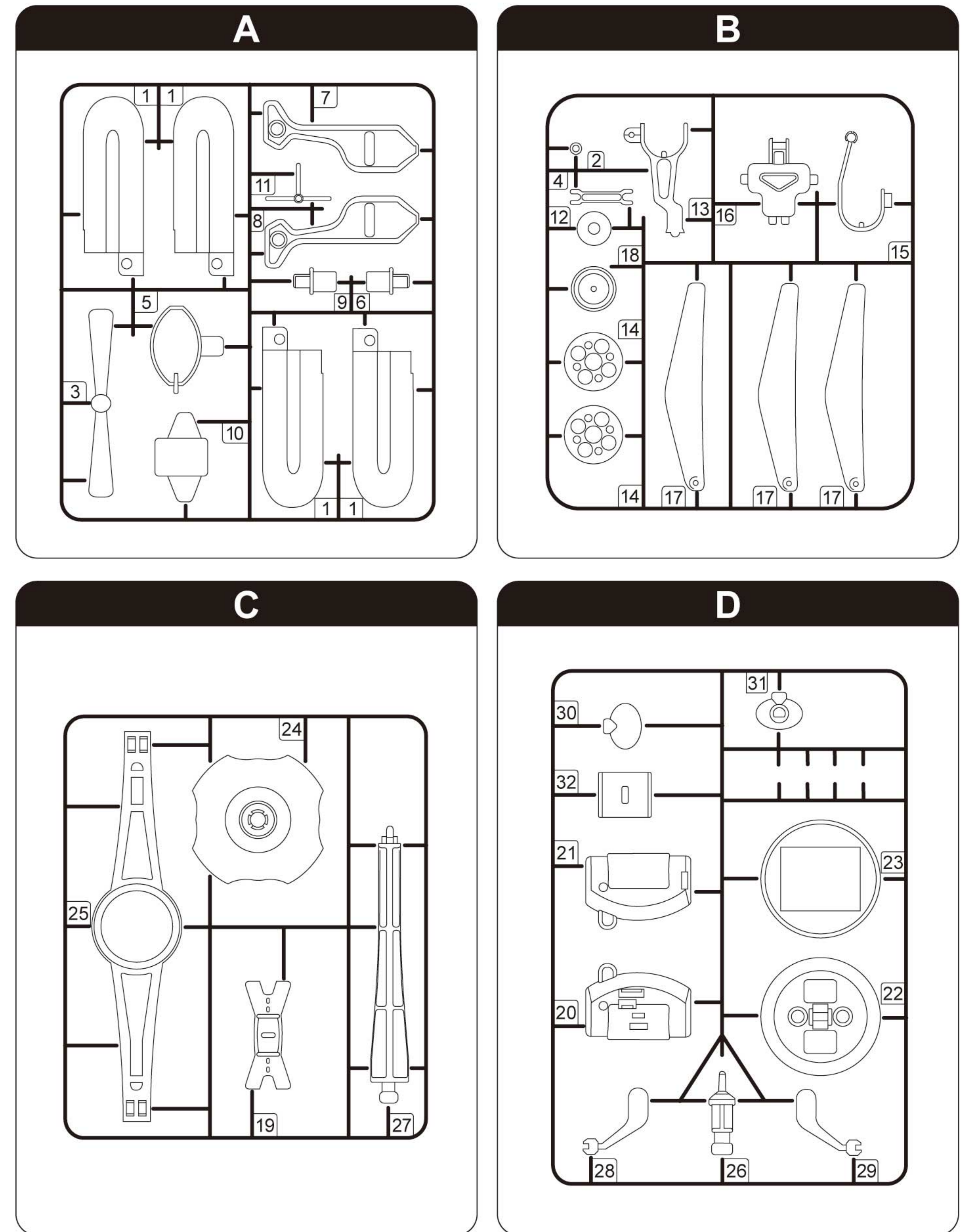


Mechanical Parts List:

P1	Solar Panel		Qty	1
P2	Gear With Shaft B		Qty	1
P3	Gear With Shaft A		Qty	1
P4	Adhesive Sponge		Qty	1
P5	Motor		Qty	1

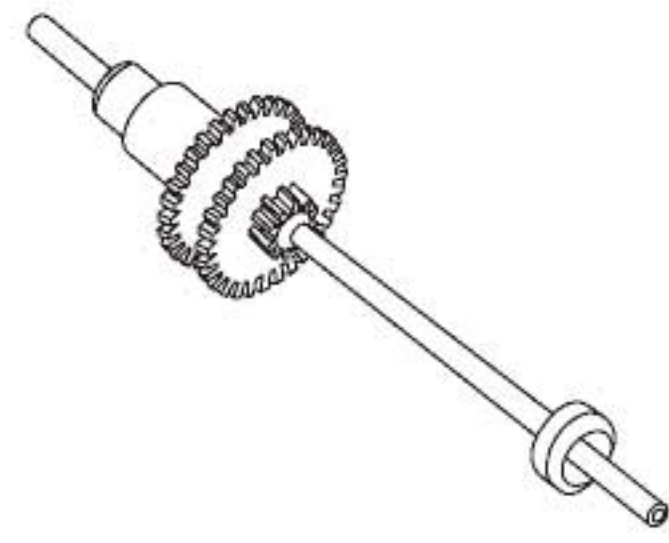
Plastic Parts:

Cut up the plastic parts in succession as shown.

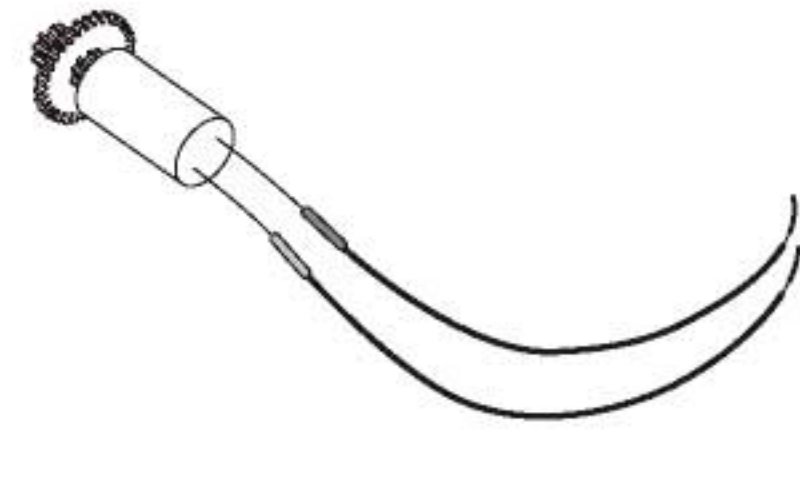


Gear Box A Assembly:

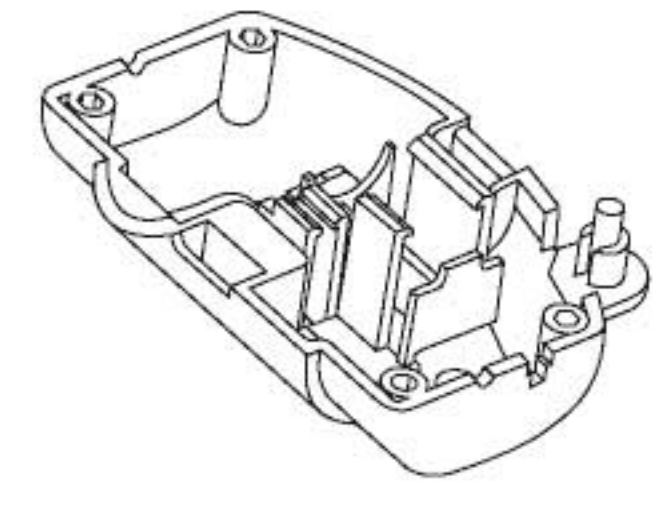
Parts Required



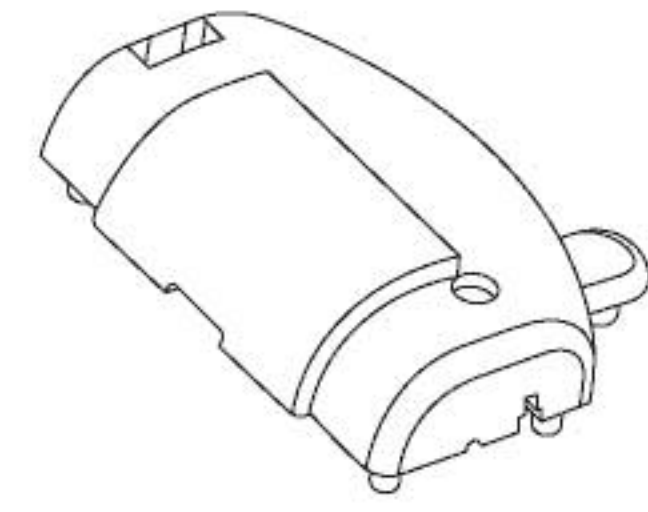
P3



P5

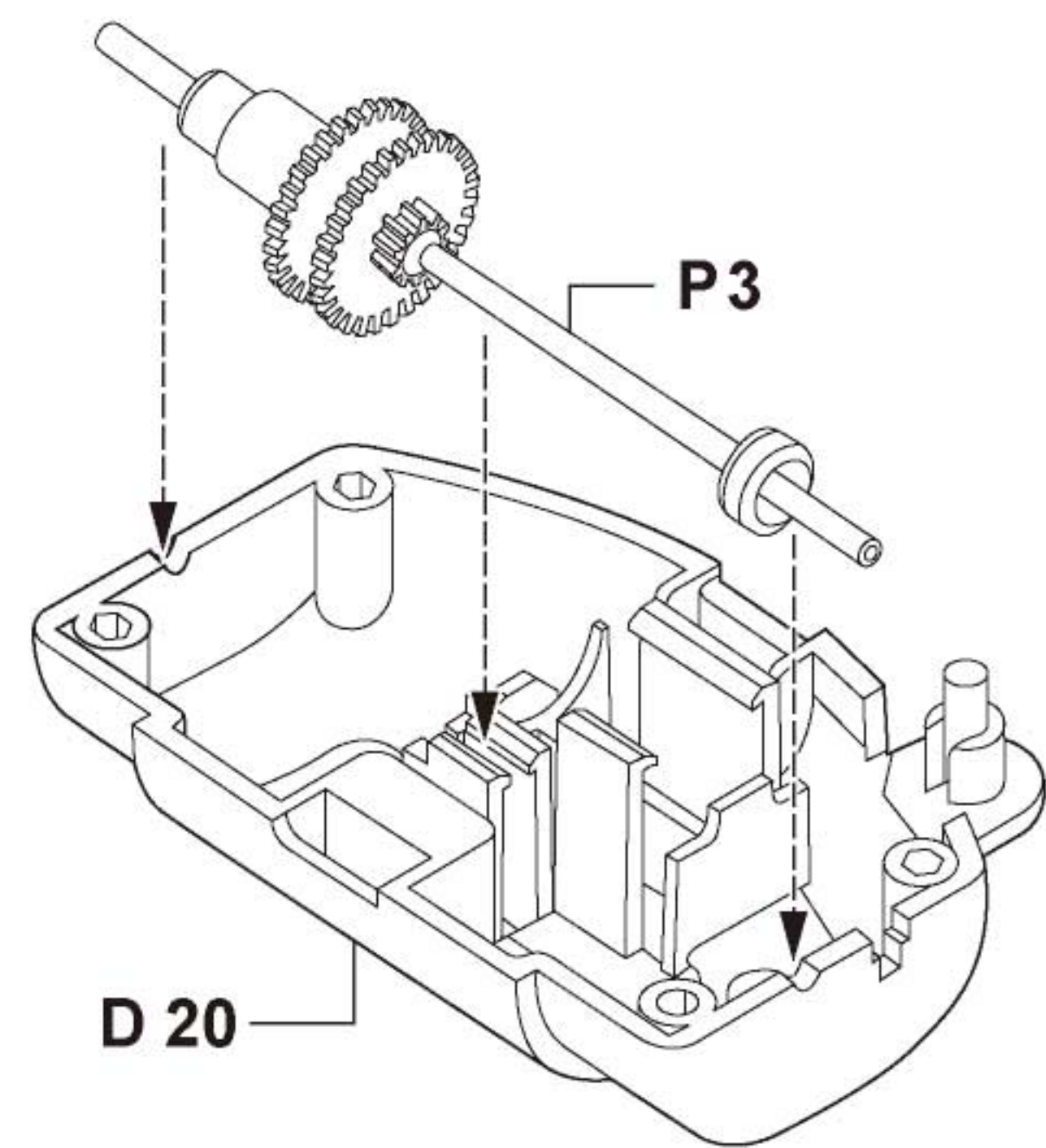


D20

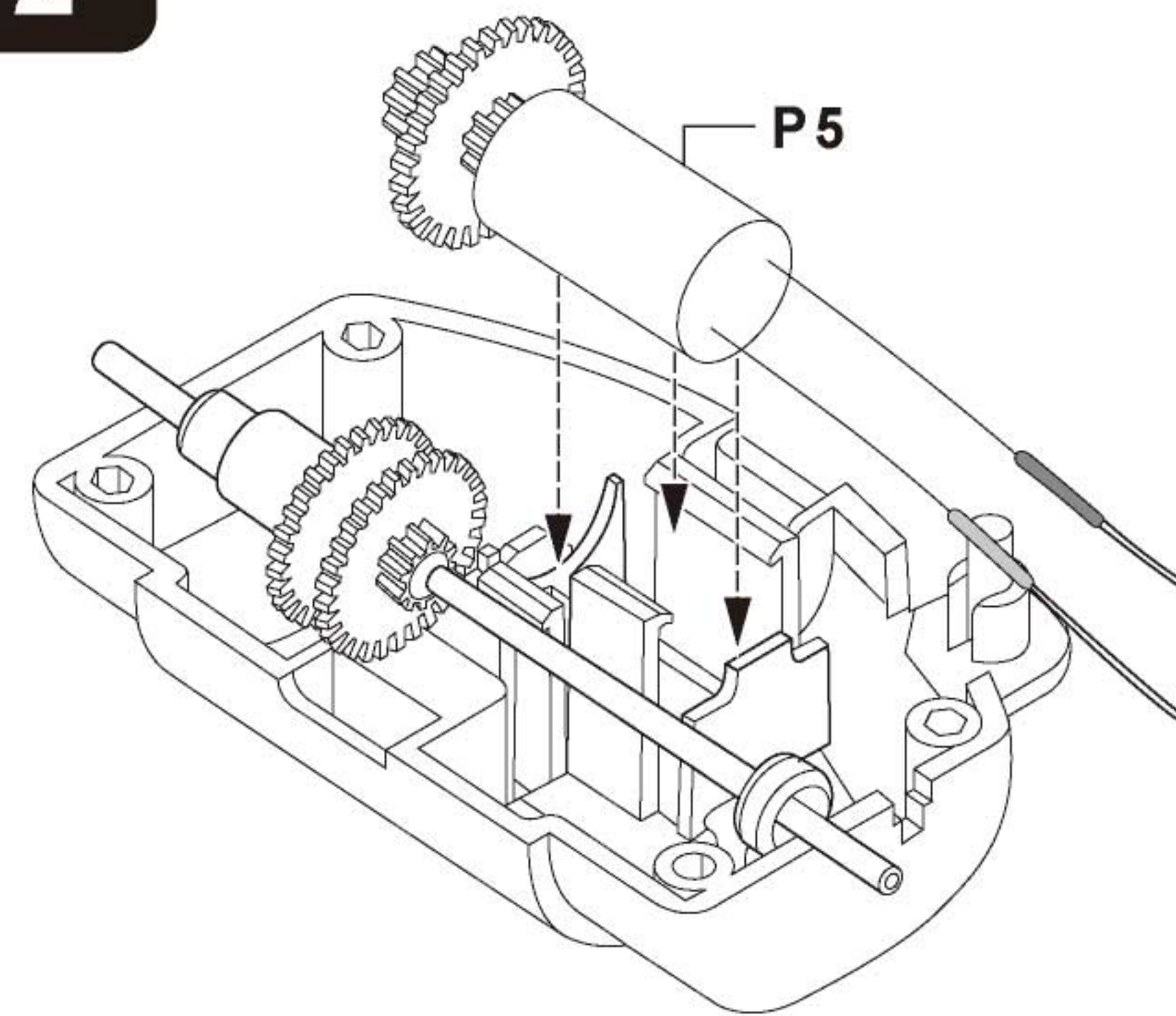


D21

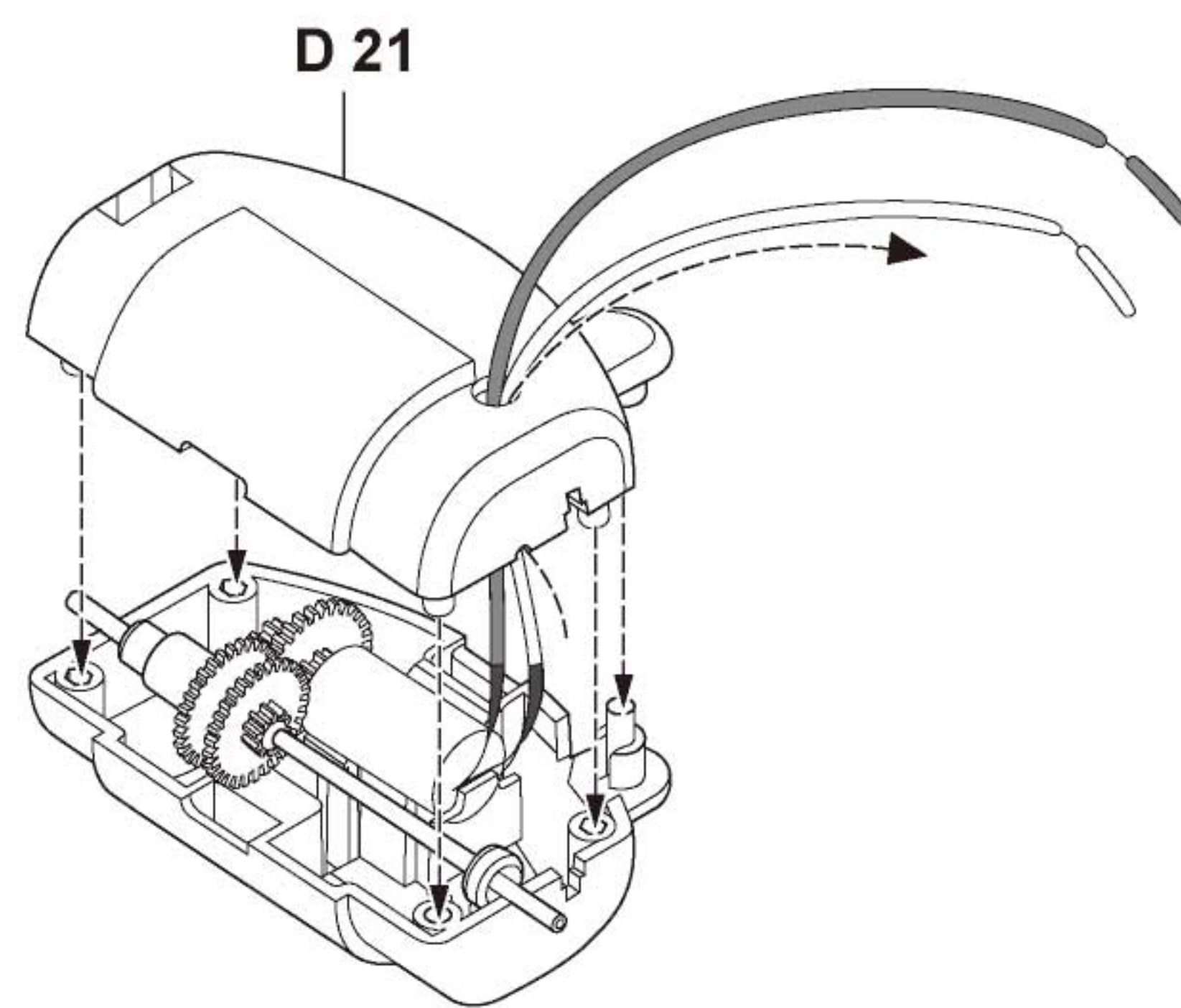
STEP
1



STEP
2

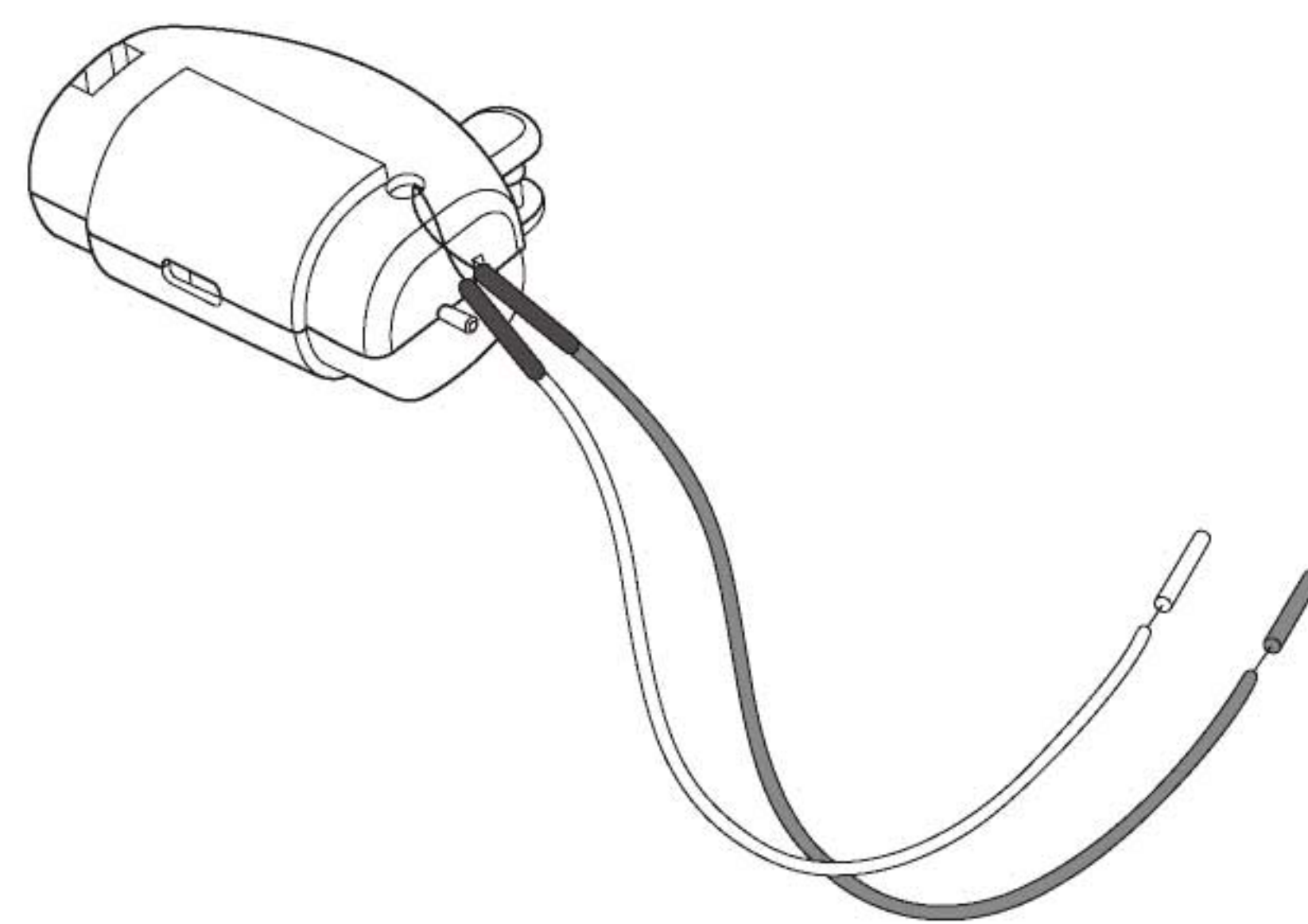


STEP
3



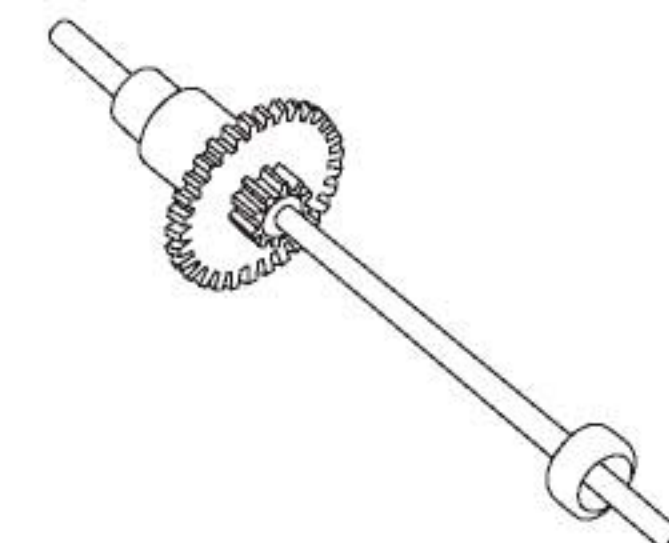
STEP
4

Finished Product!

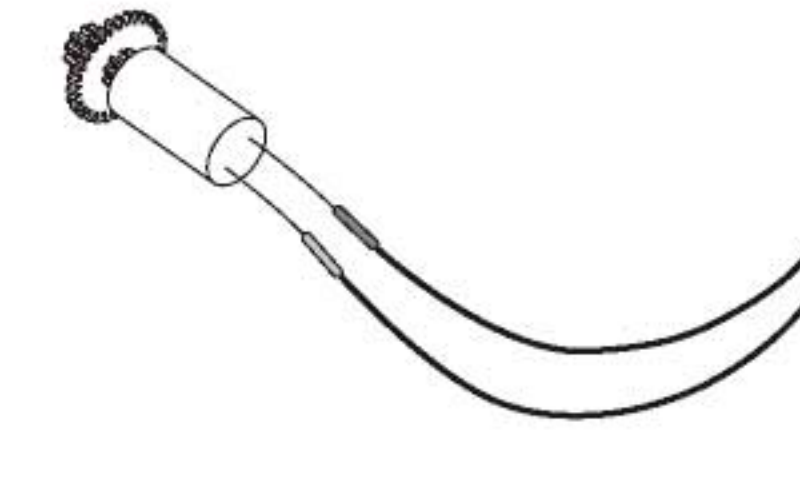


Gear Box B Assembly:

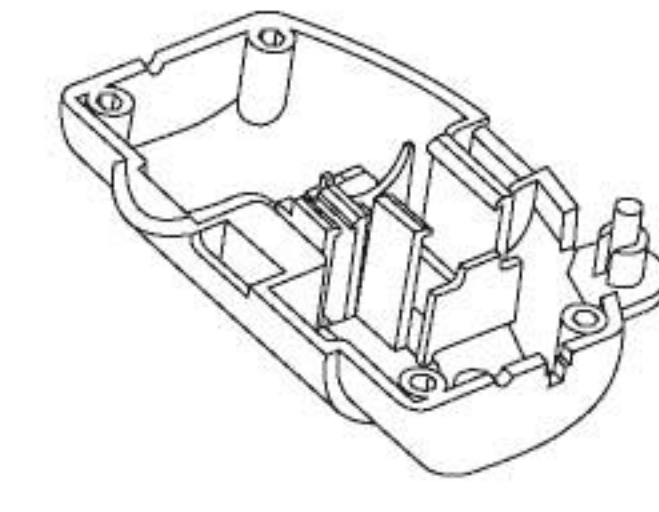
Parts Required



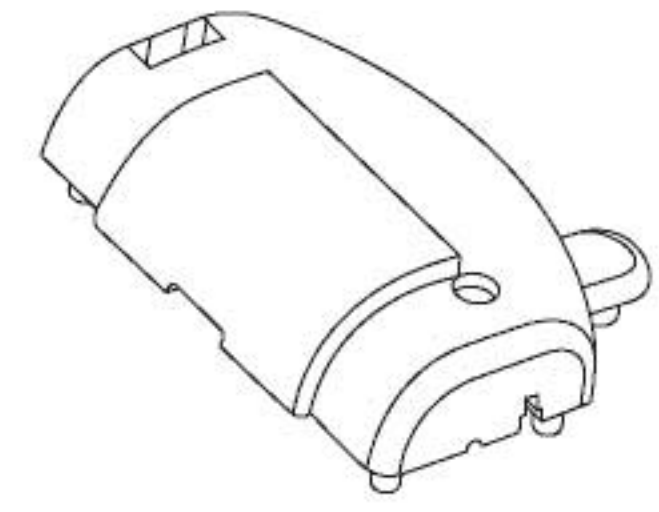
P2



P5

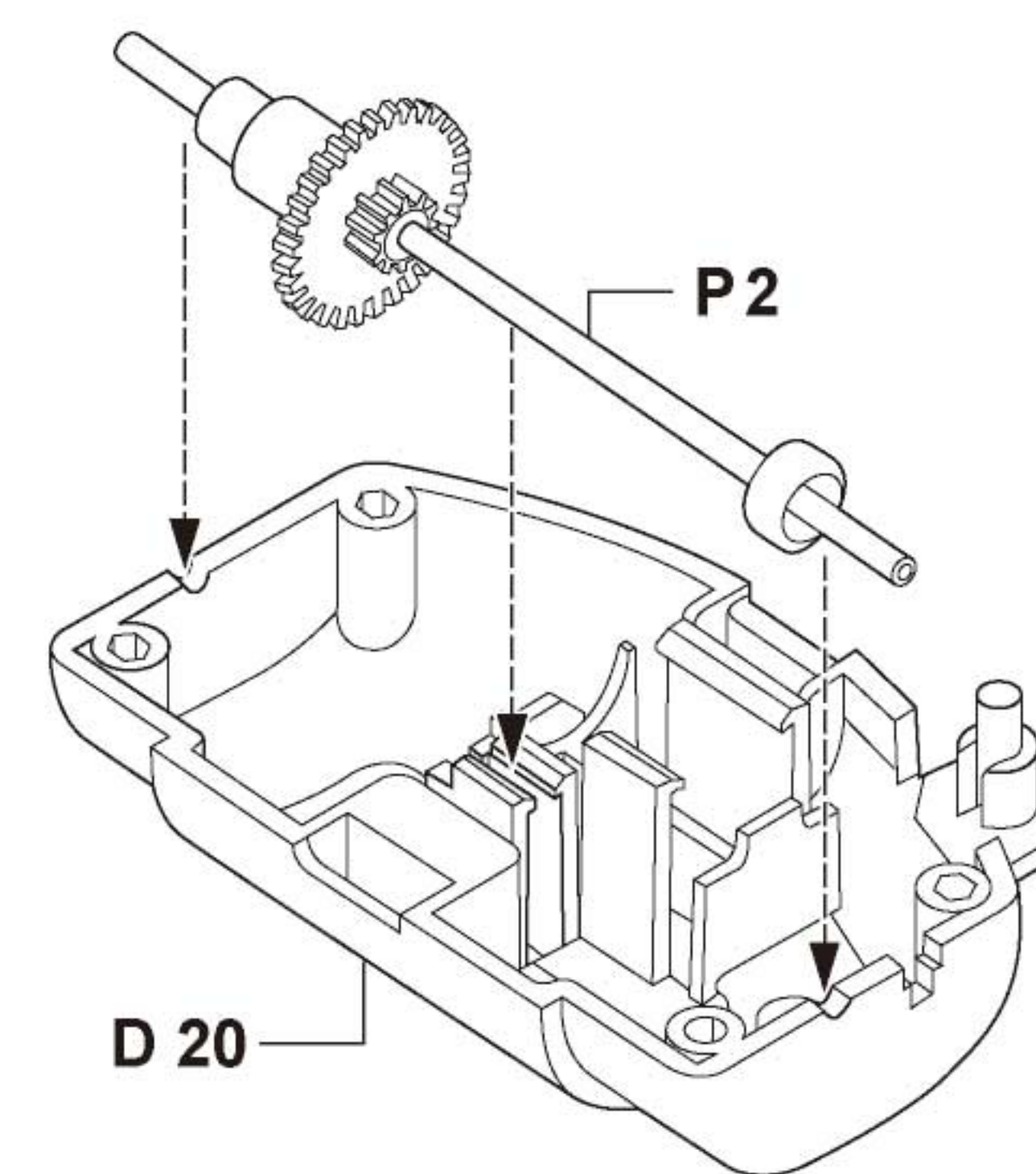


D20

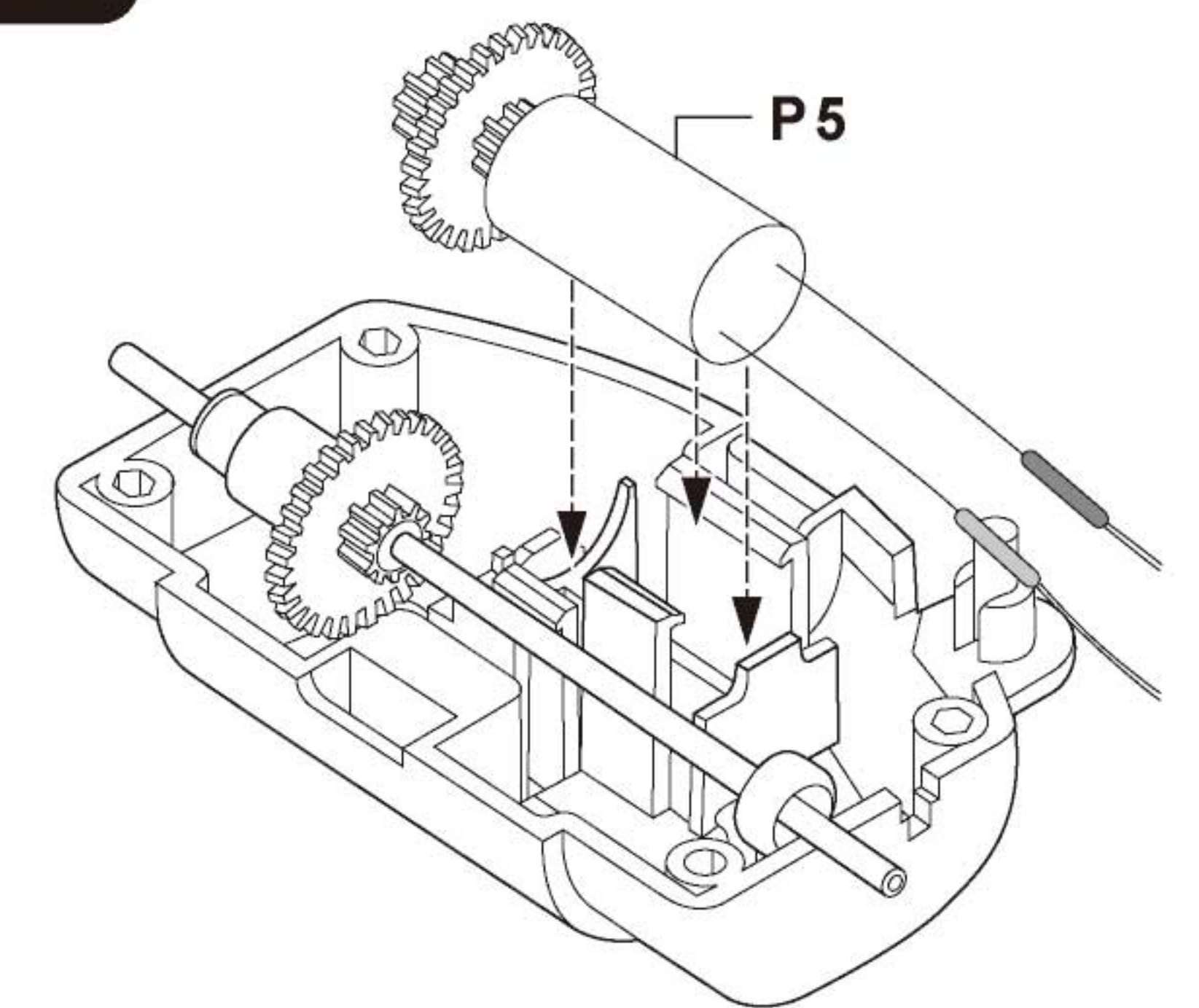


D21

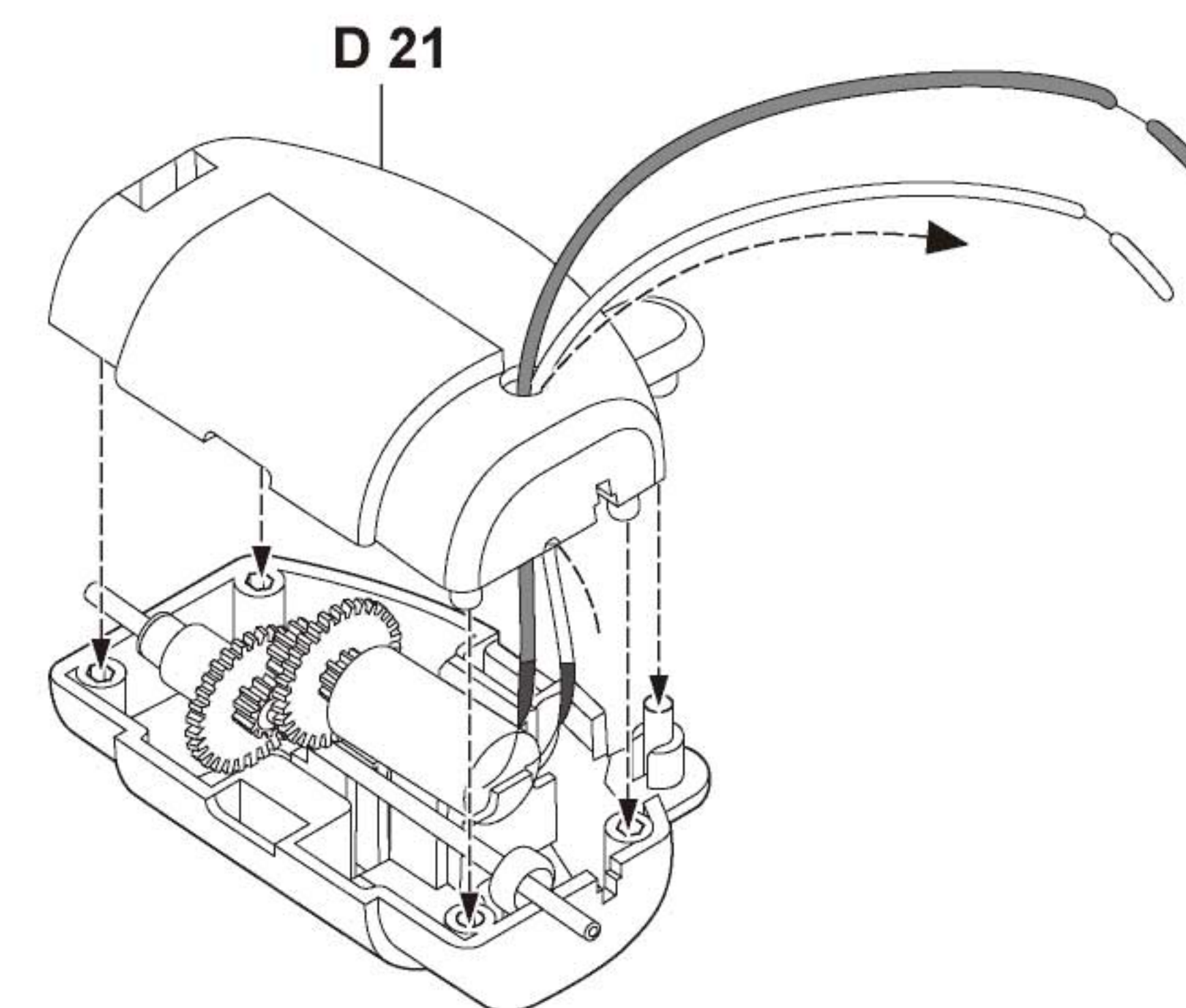
STEP
1



STEP
2

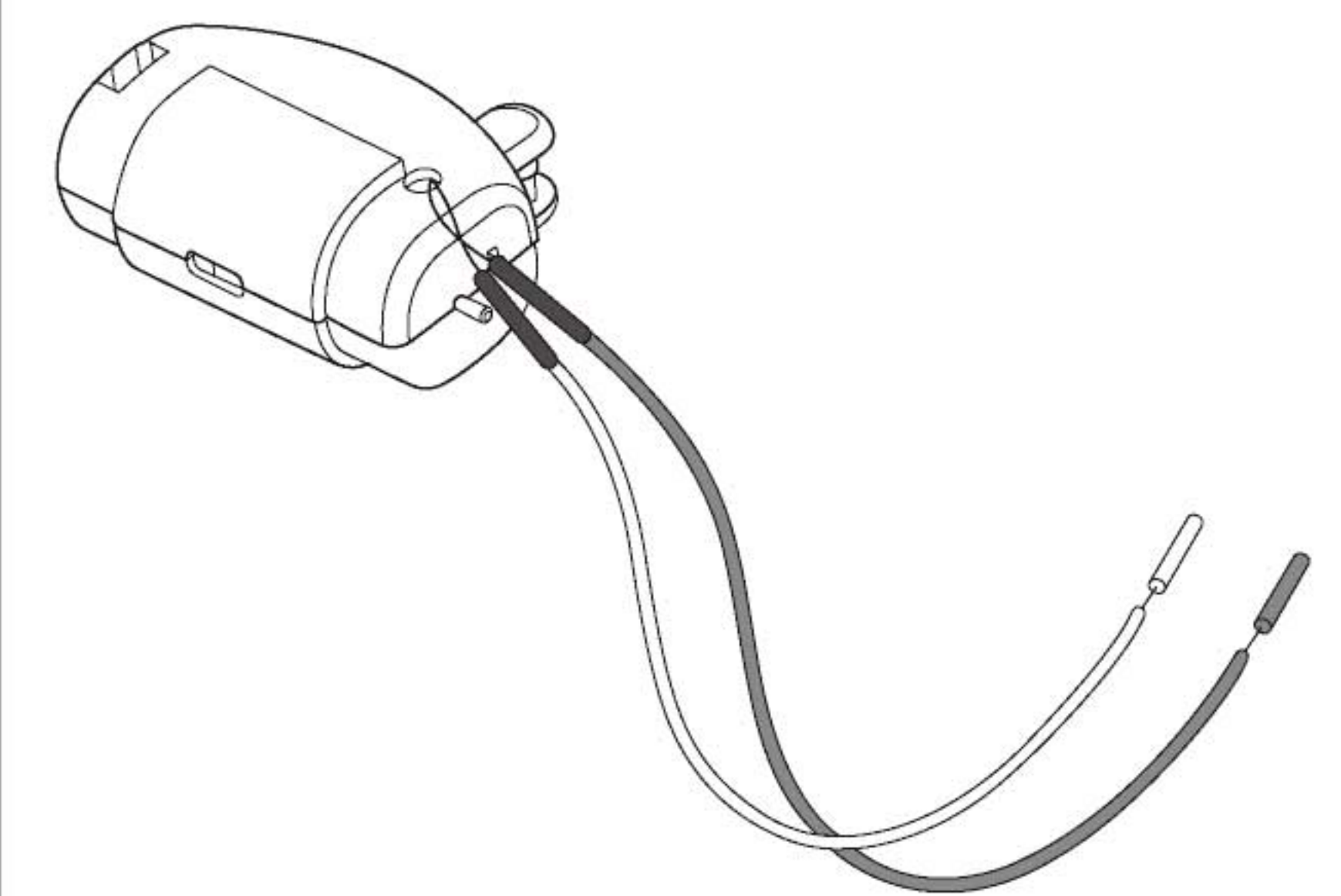


STEP
3



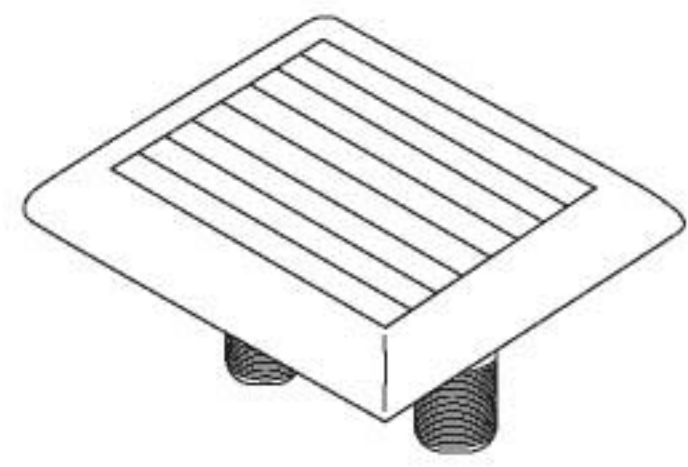
STEP
4

Finished Product!

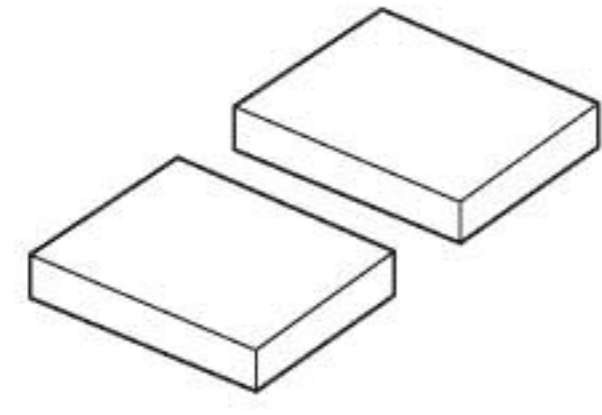


Solar Module Assembly:

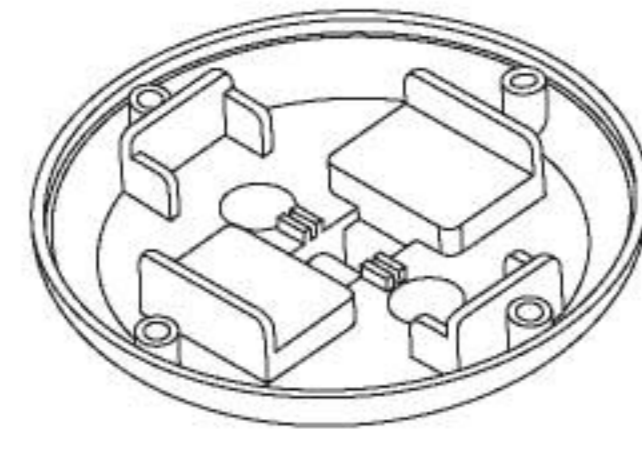
Parts Required



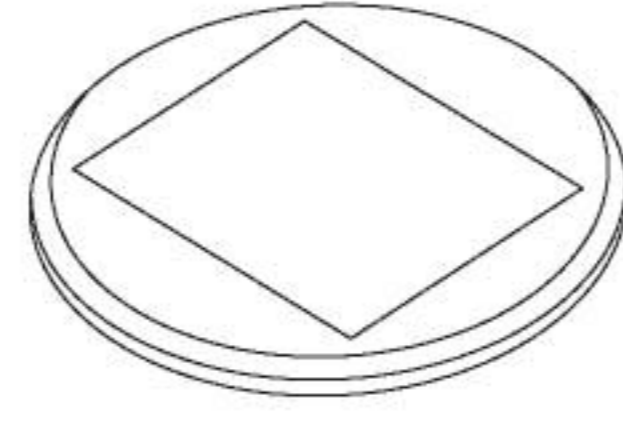
P1



P4

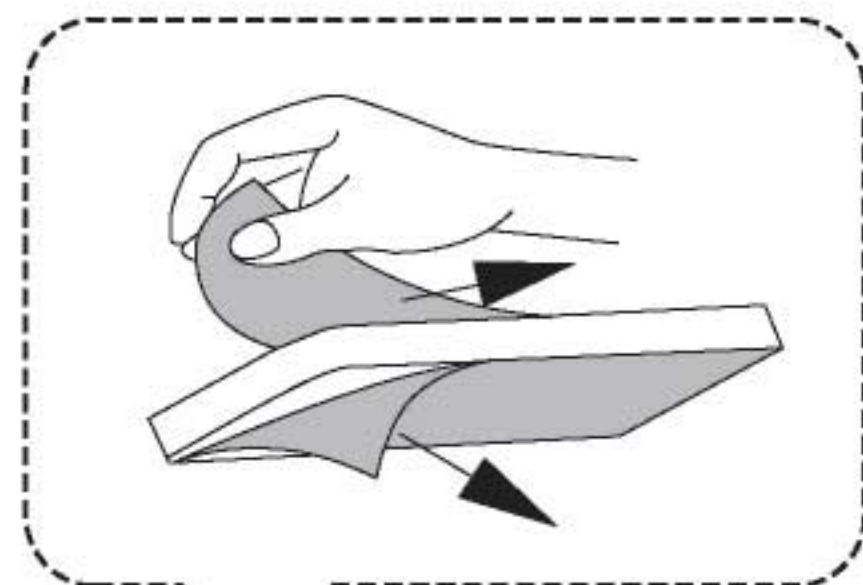


D 22

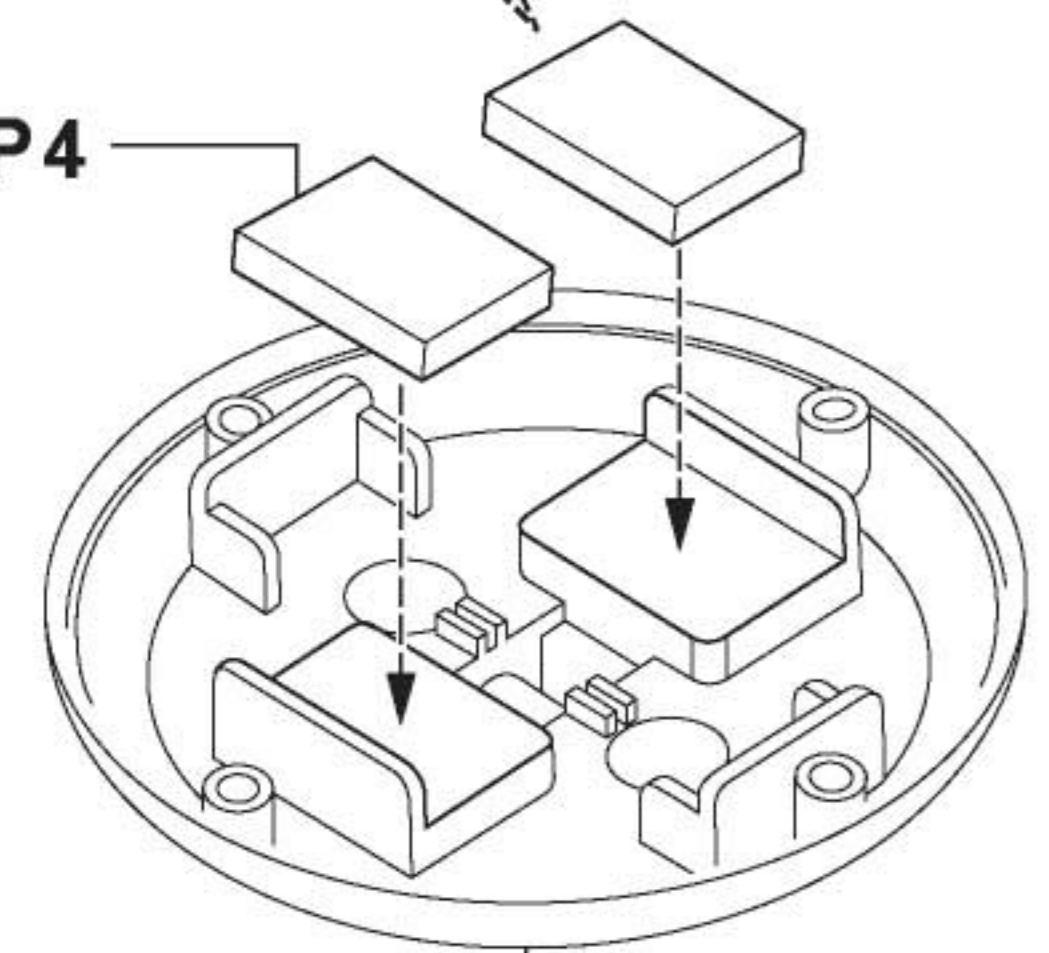


D 23

STEP 1

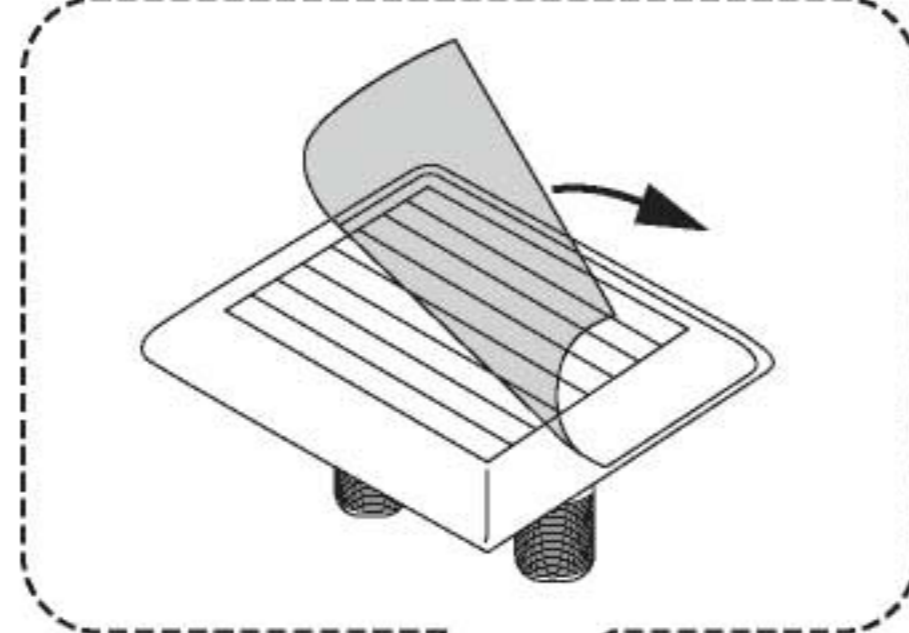


P4

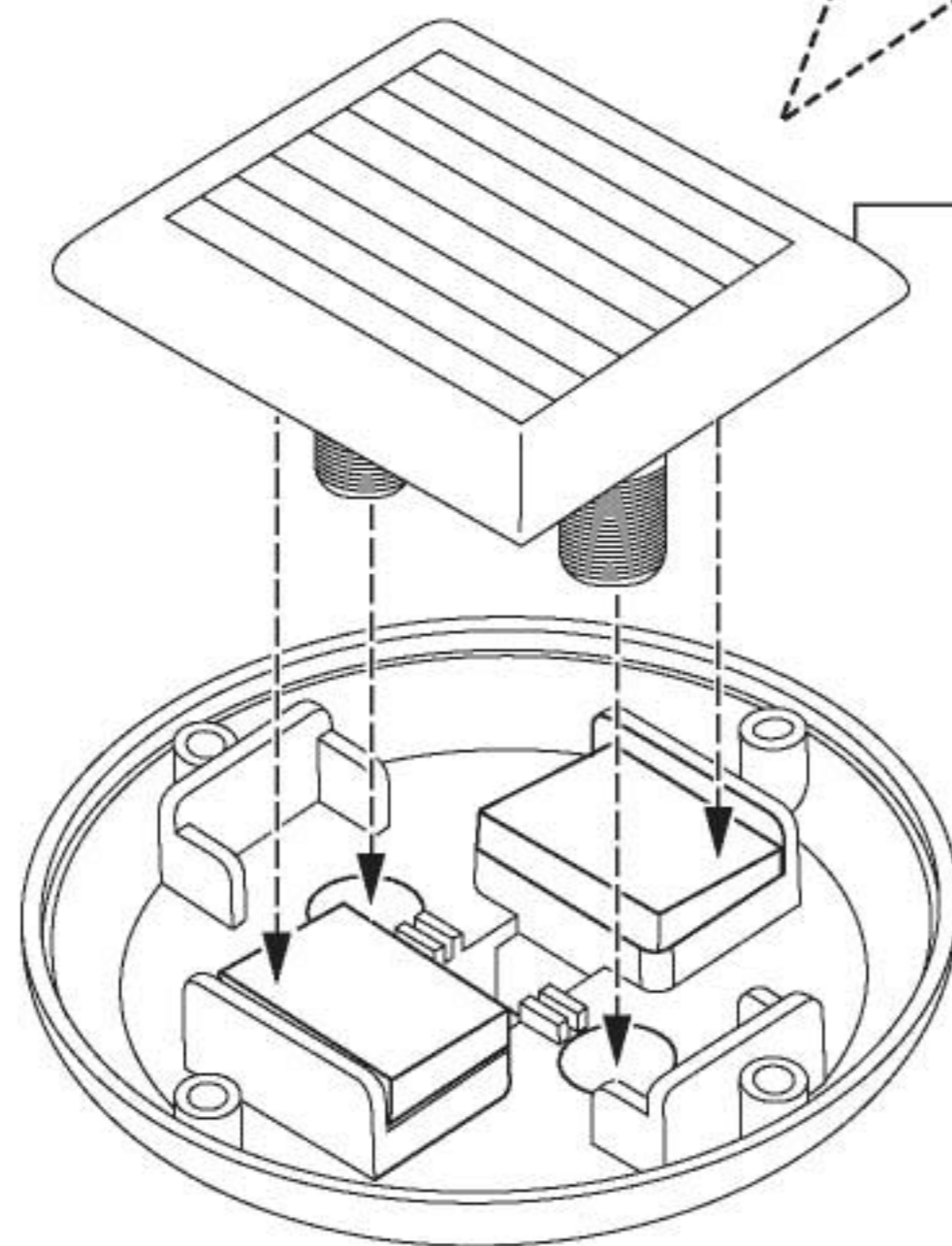


D 22

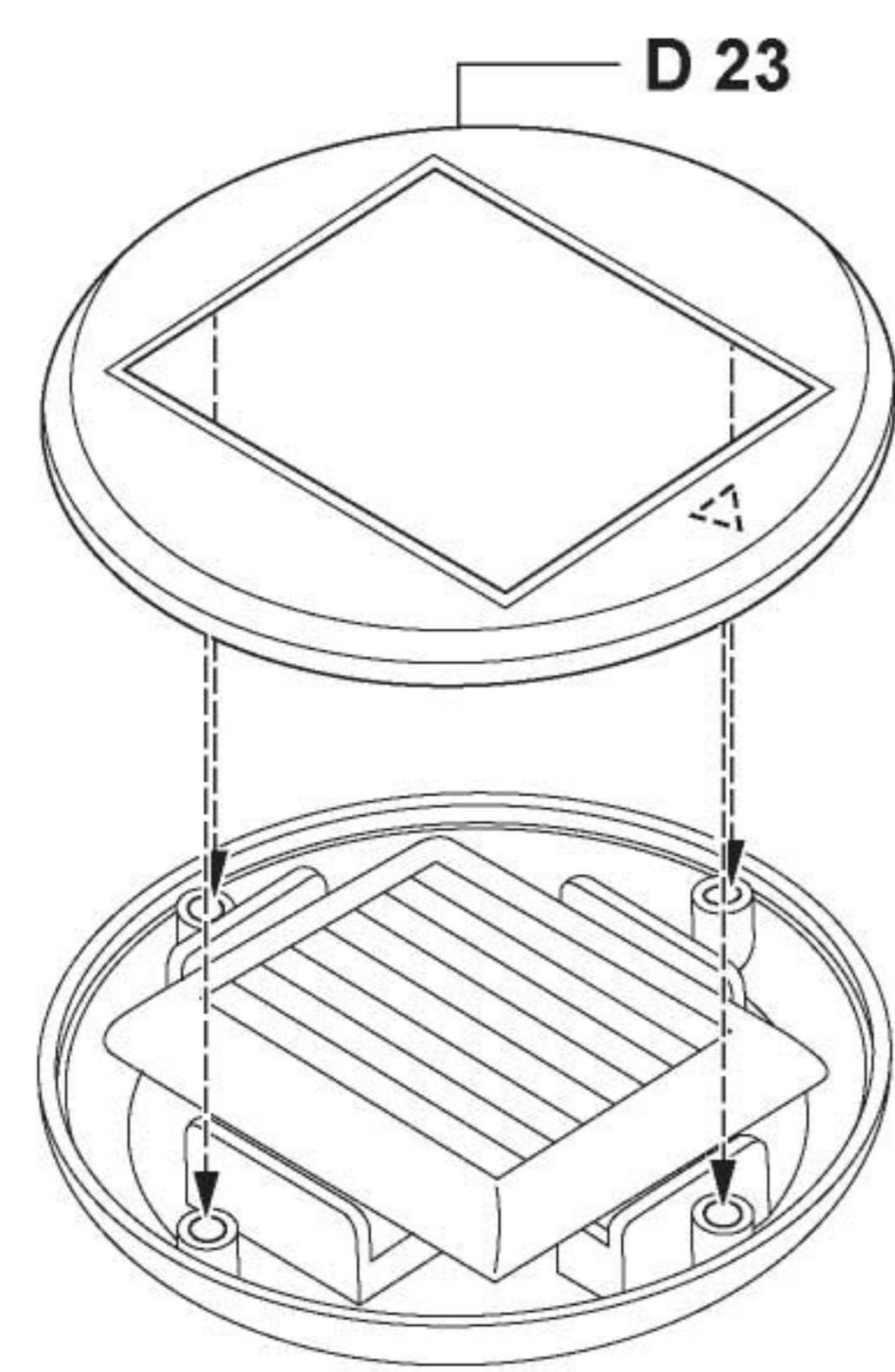
STEP 2



P1



STEP 3

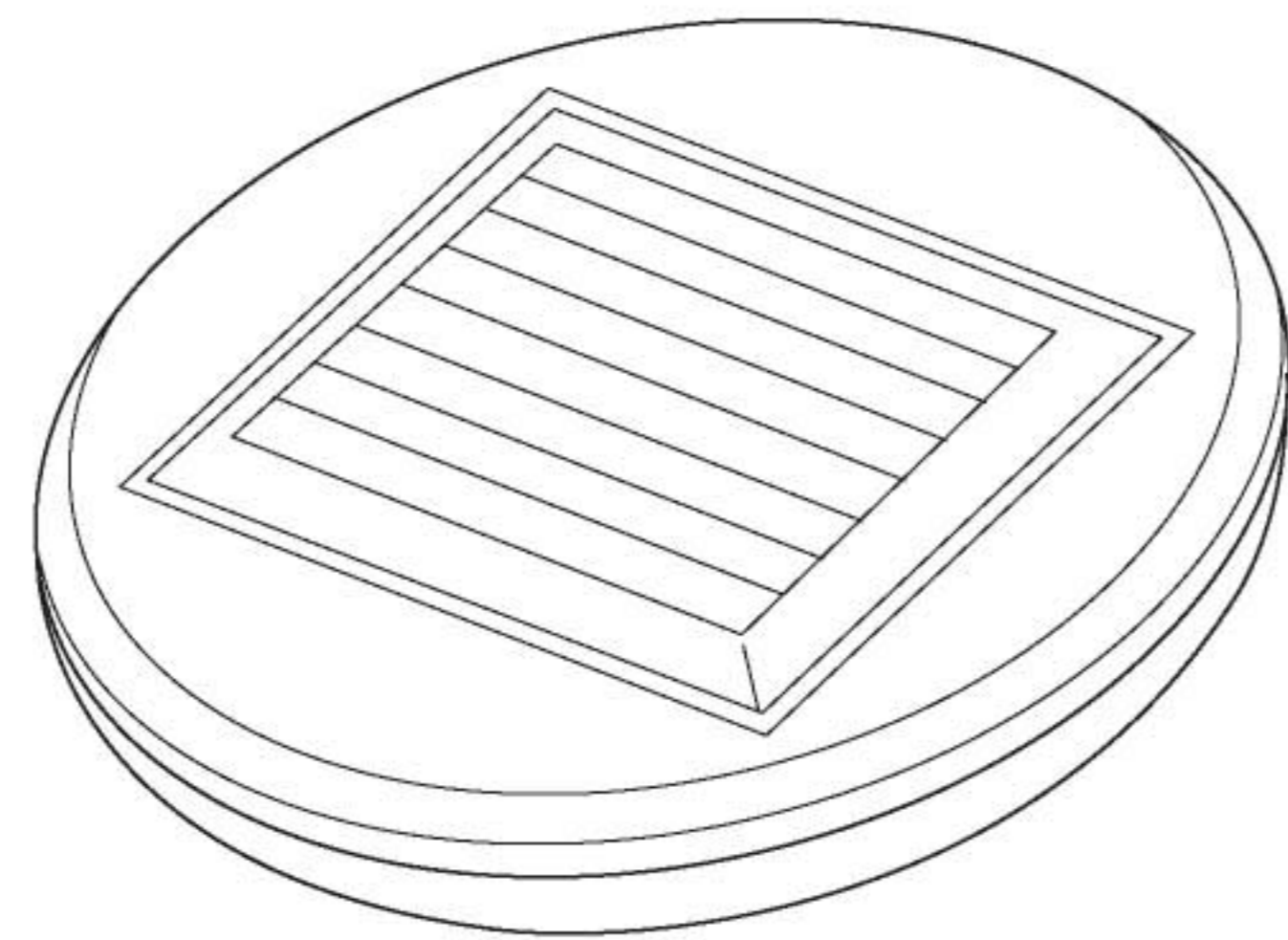


D 23

! Install as the triangle shows.

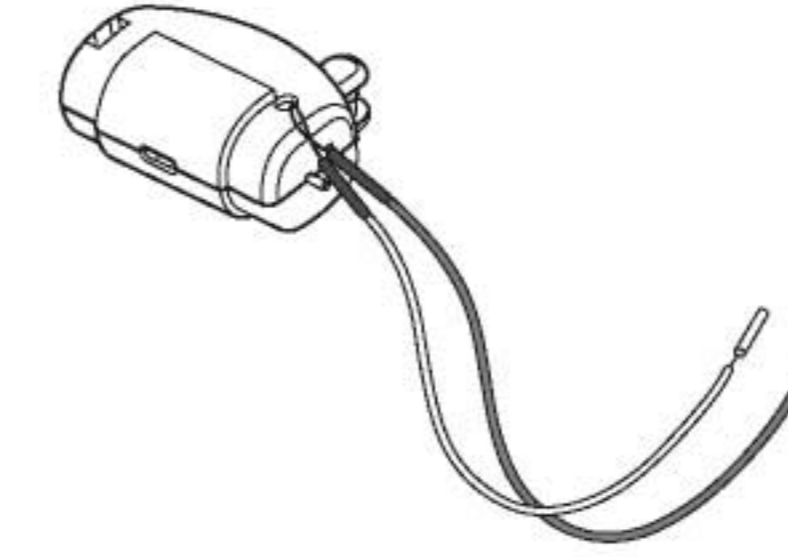
STEP 4

Finished Product !

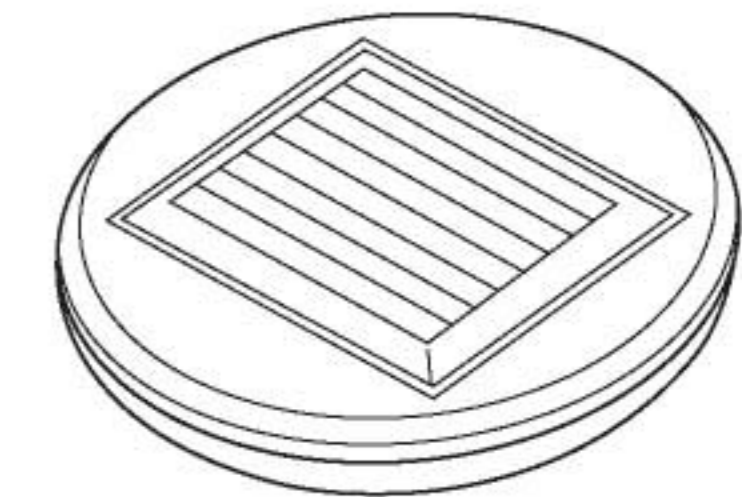


How To Work The Gear Box:

Parts Required



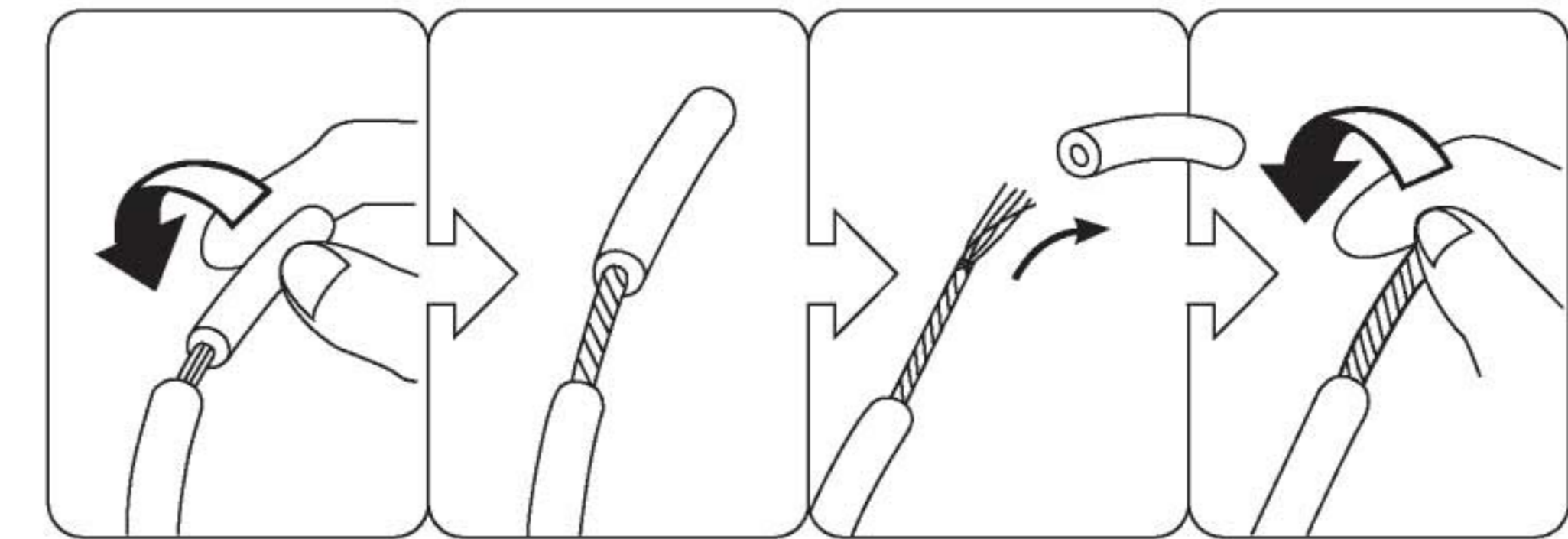
Gear Box



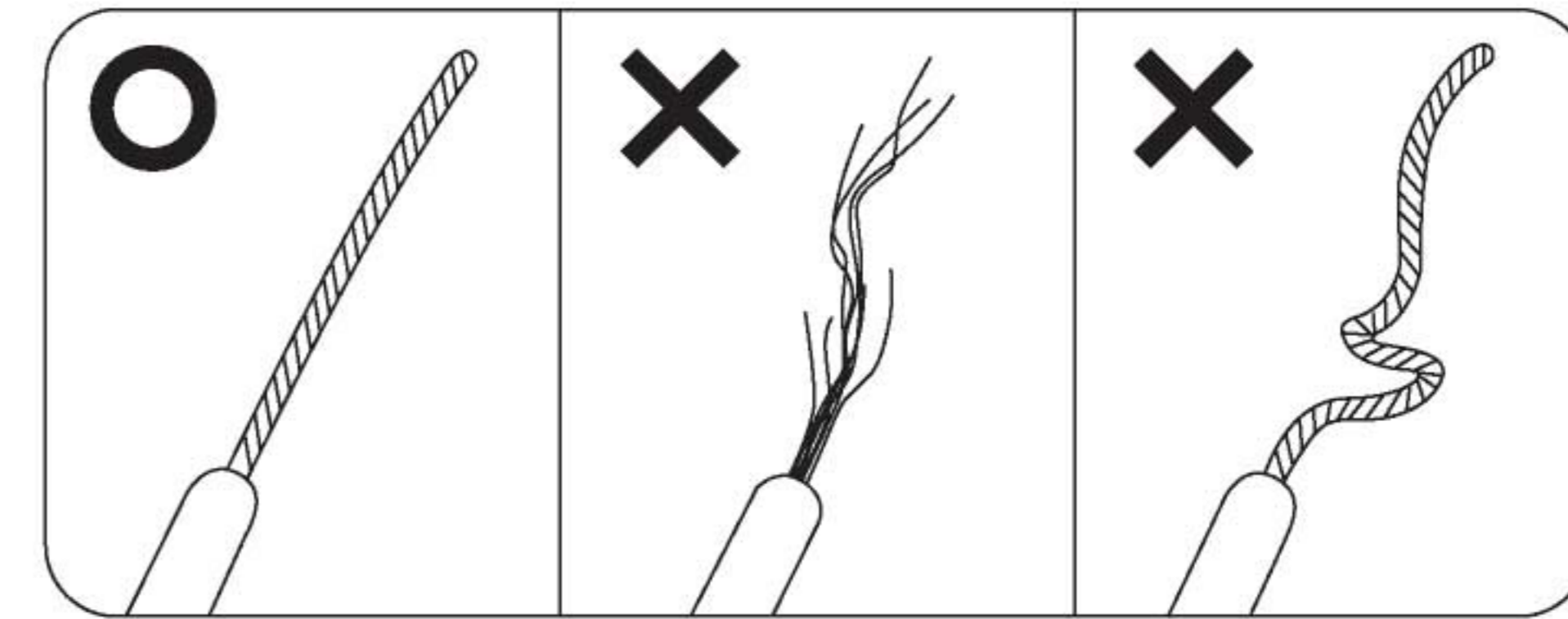
Solar Module

STEP 1

Twist stripped wires:

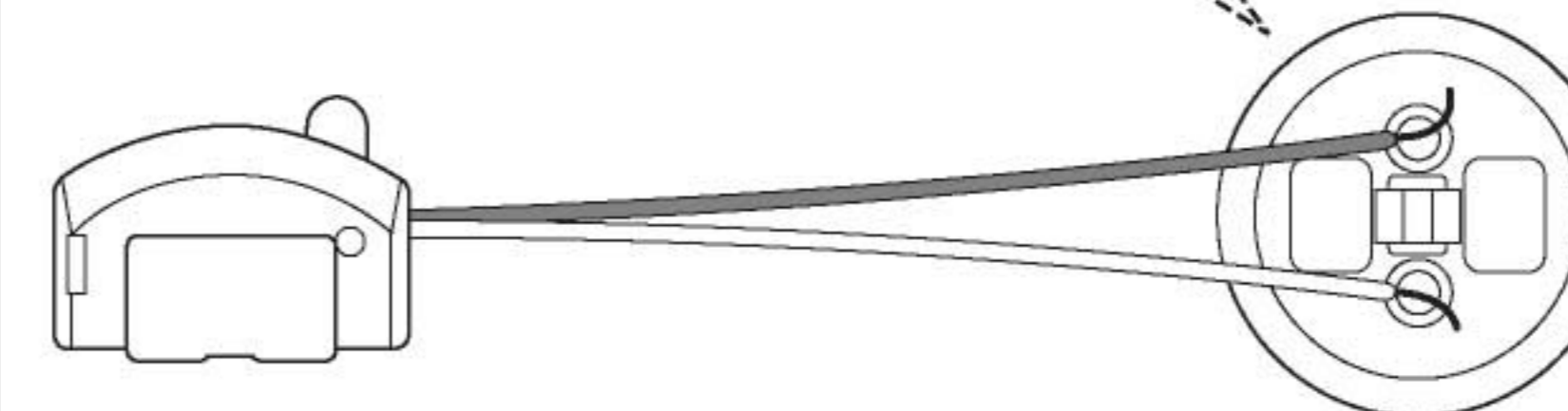
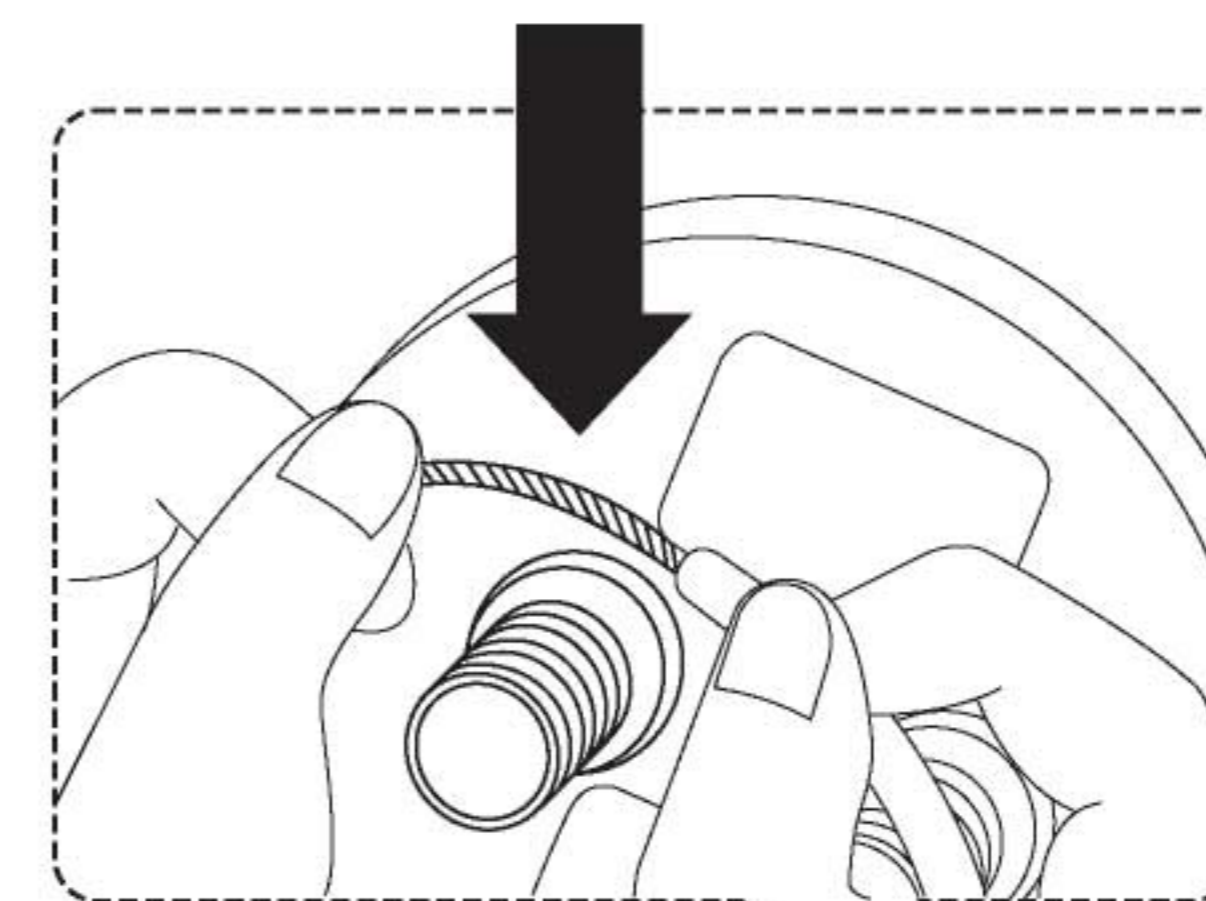


STEP 2



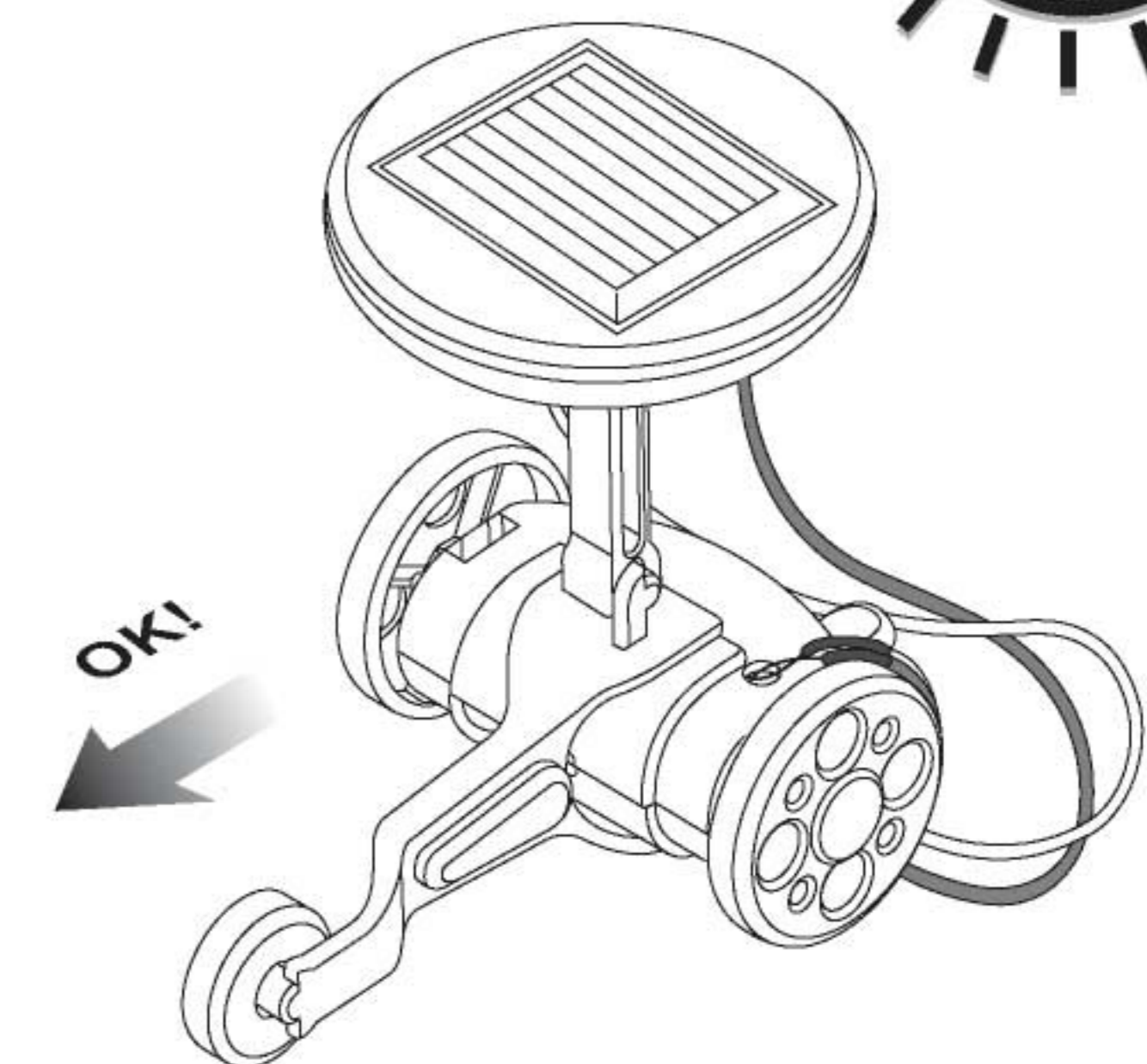
STEP 3

GEAR BOX CONNECT SOLAR MODULE



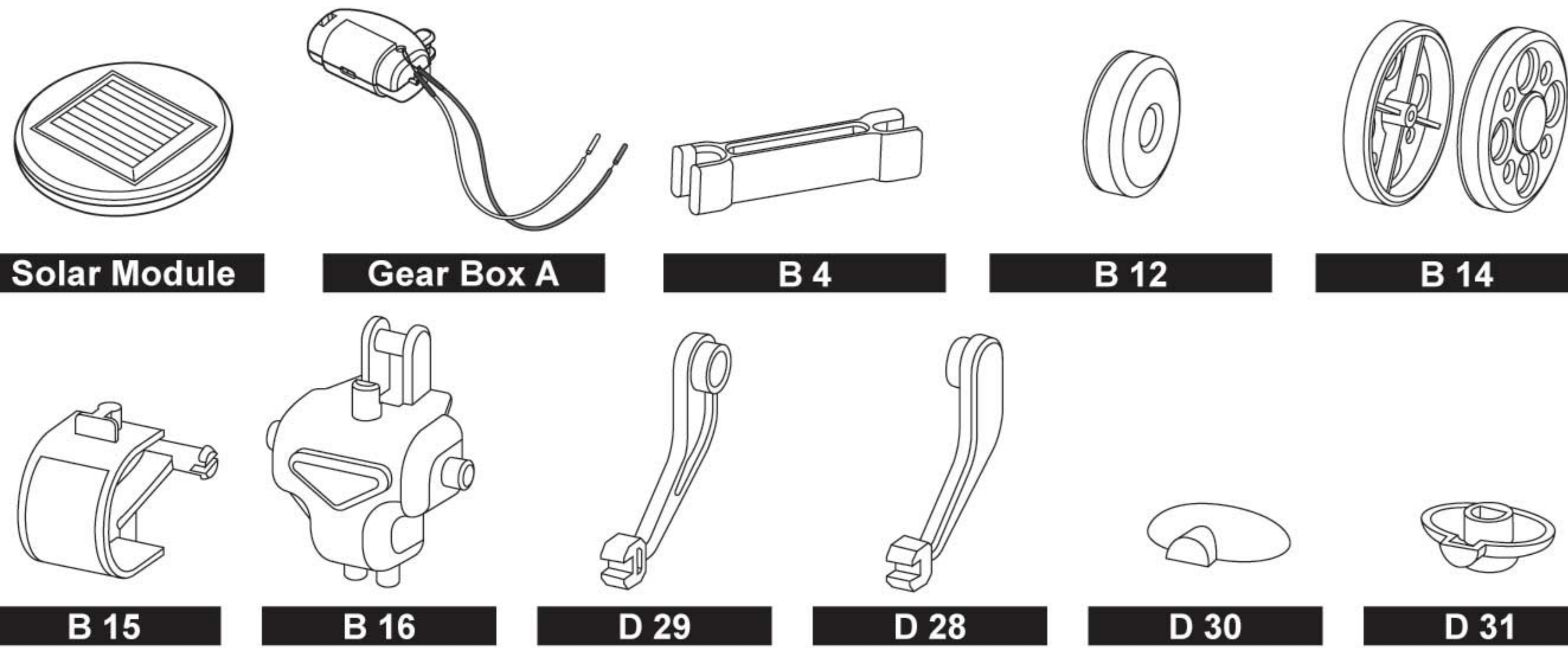
STEP 4

Finished Product !

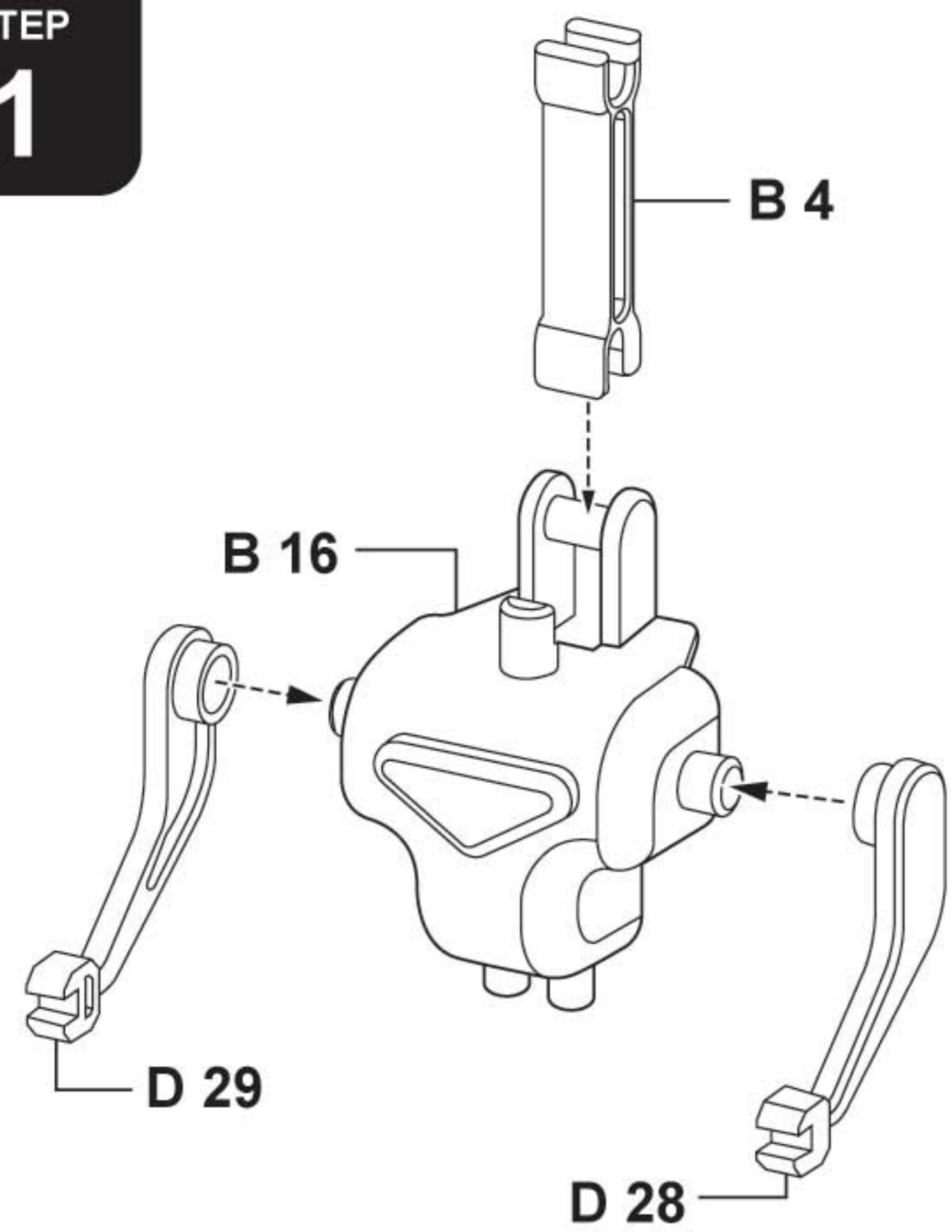


Solar Robot

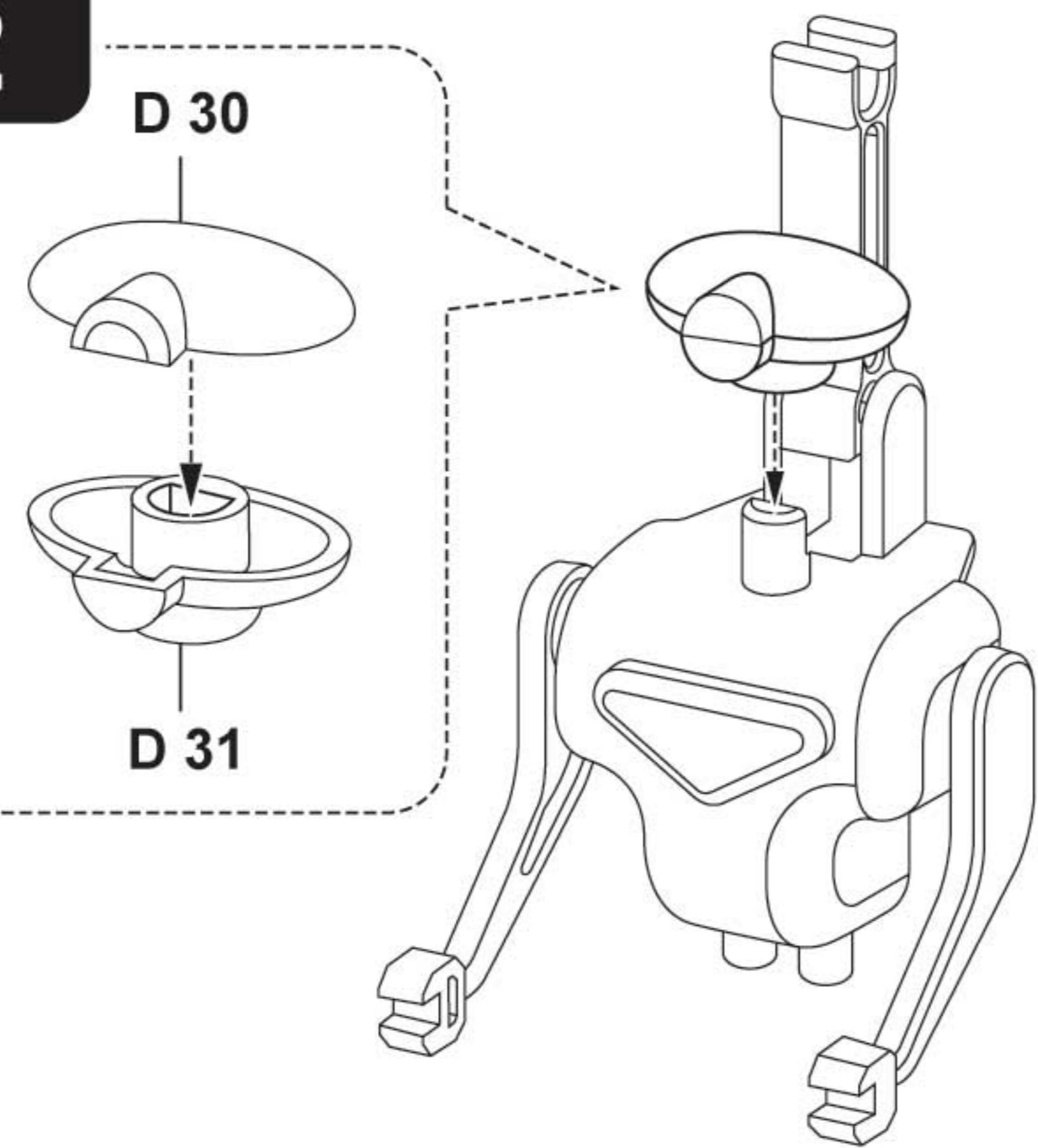
Parts Required



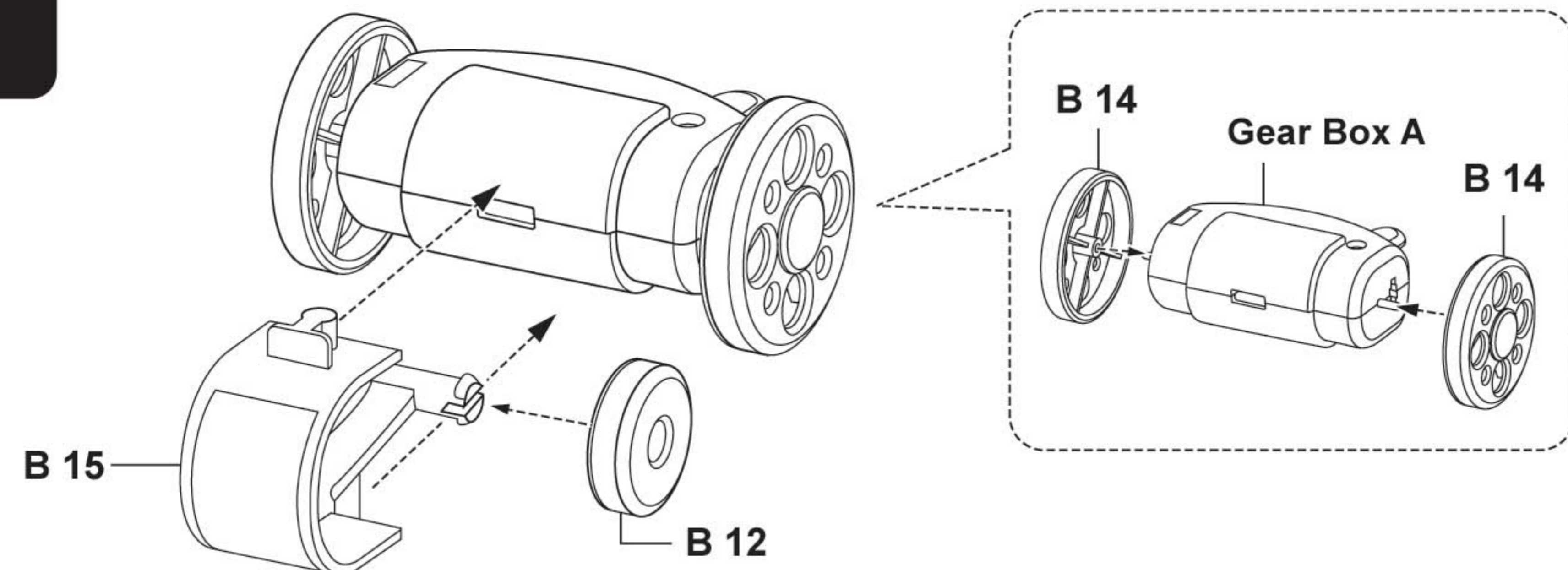
STEP 1



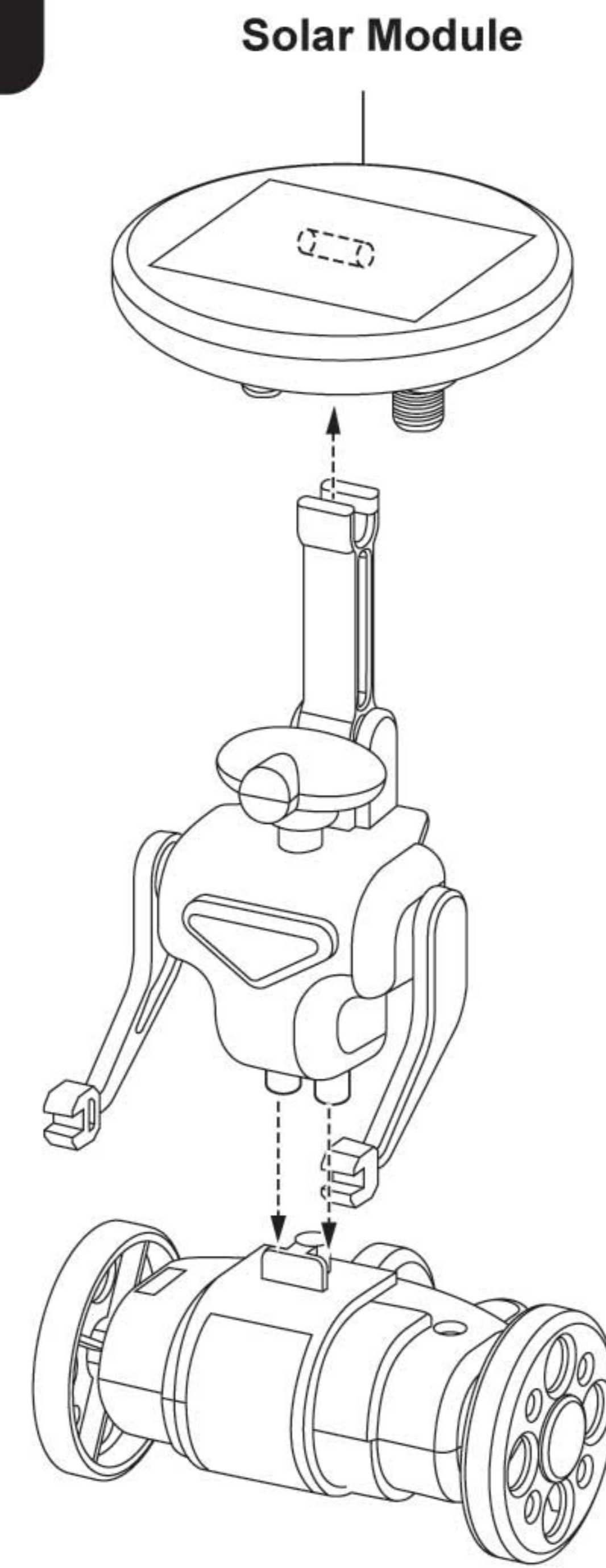
STEP 2



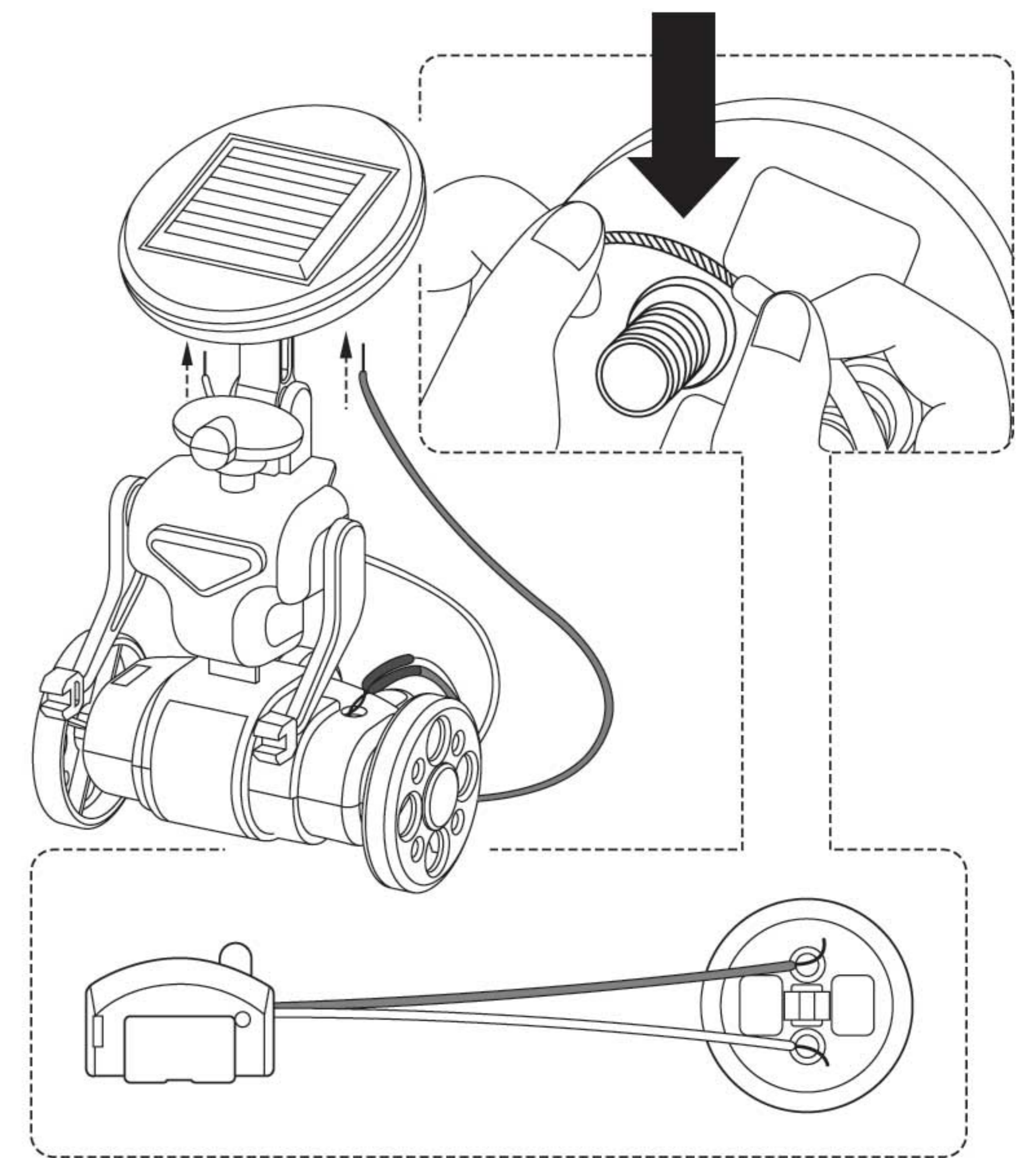
STEP 3



STEP 4



STEP 5



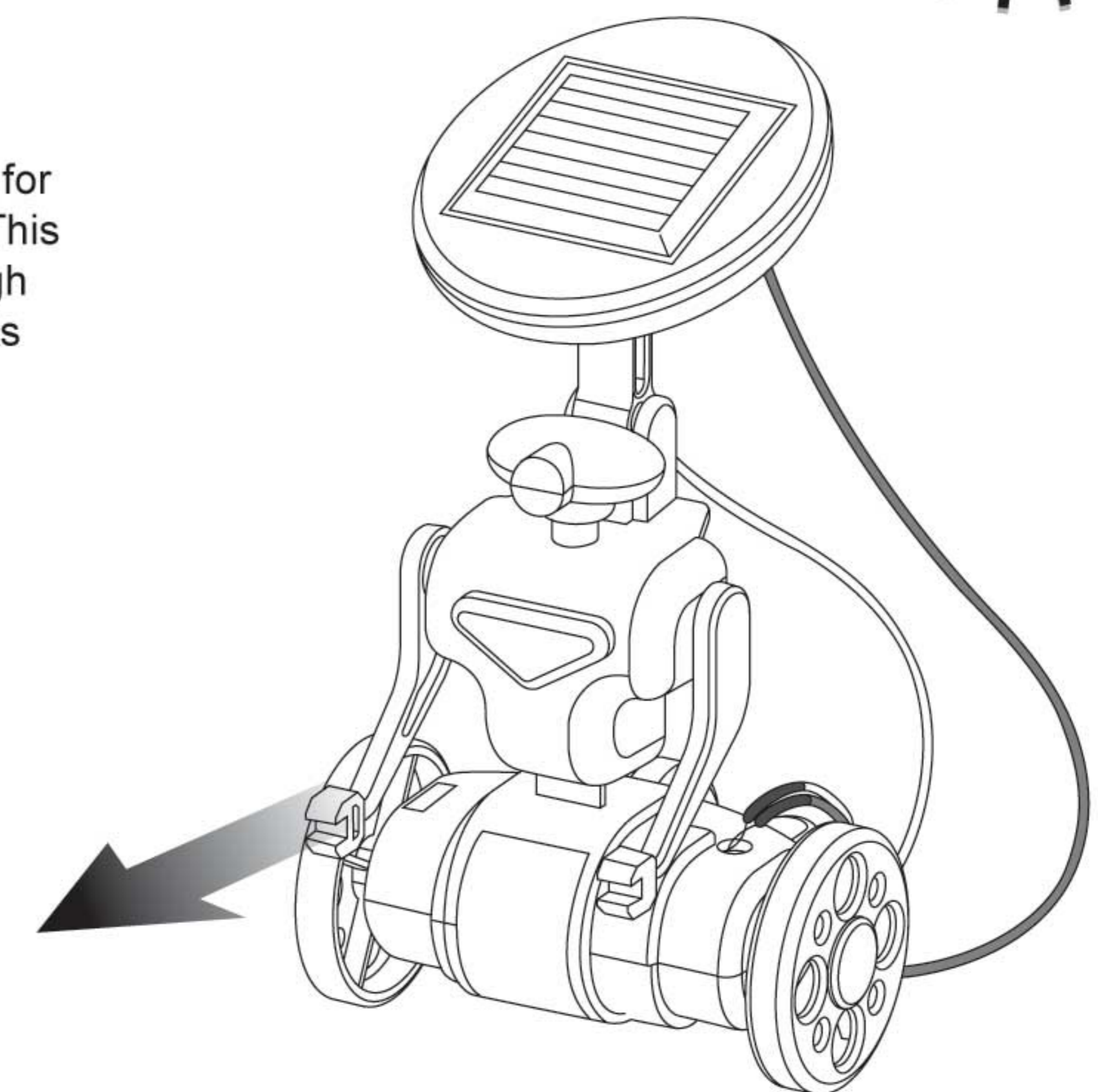
STEP 6

Finished Product !



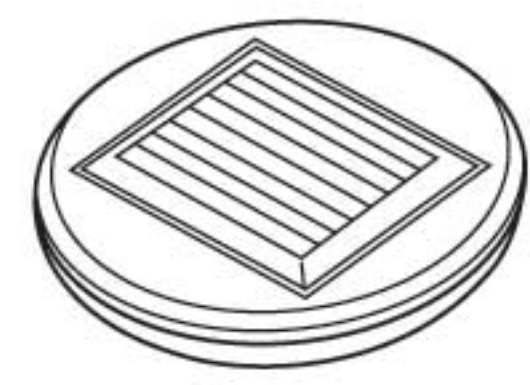
WARNING!

Do not leave in bright sunlight for an extended amount of time. This unit is powered by solar, though leaving unit where heat collects over time may damage some components.

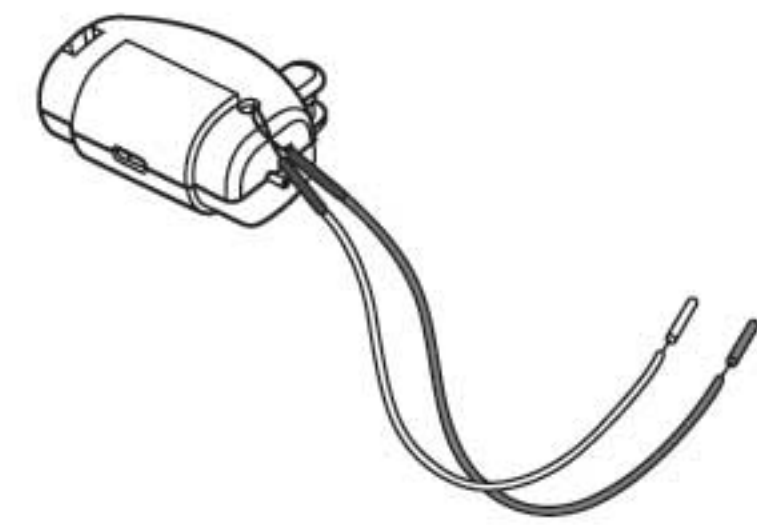


Solar Wheeler

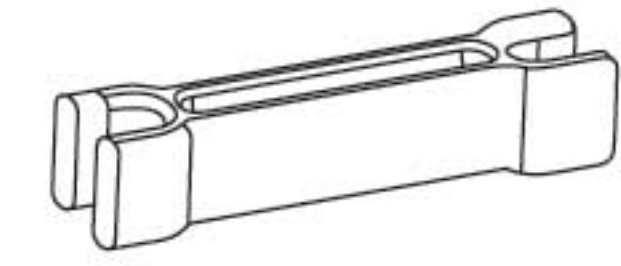
Parts Required



Solar Module



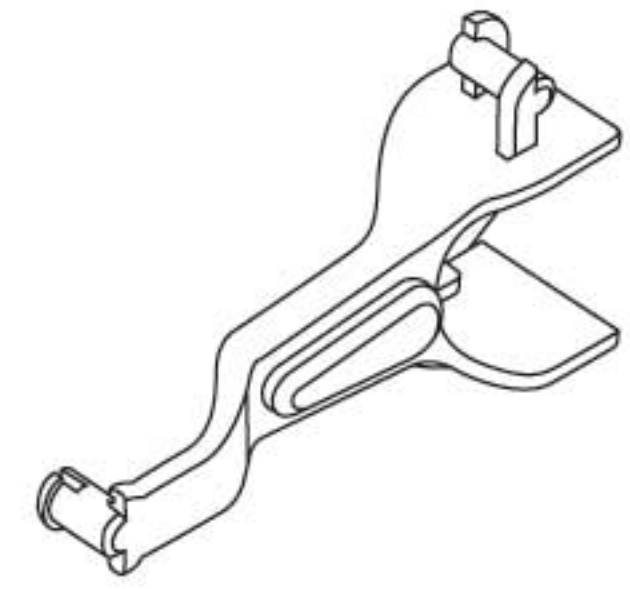
Gear Box A



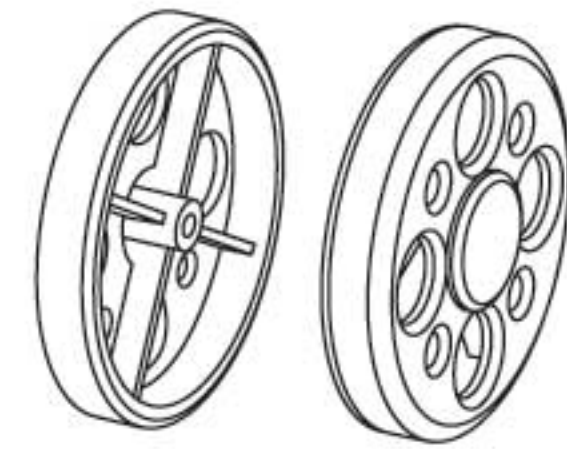
B 4



B 12

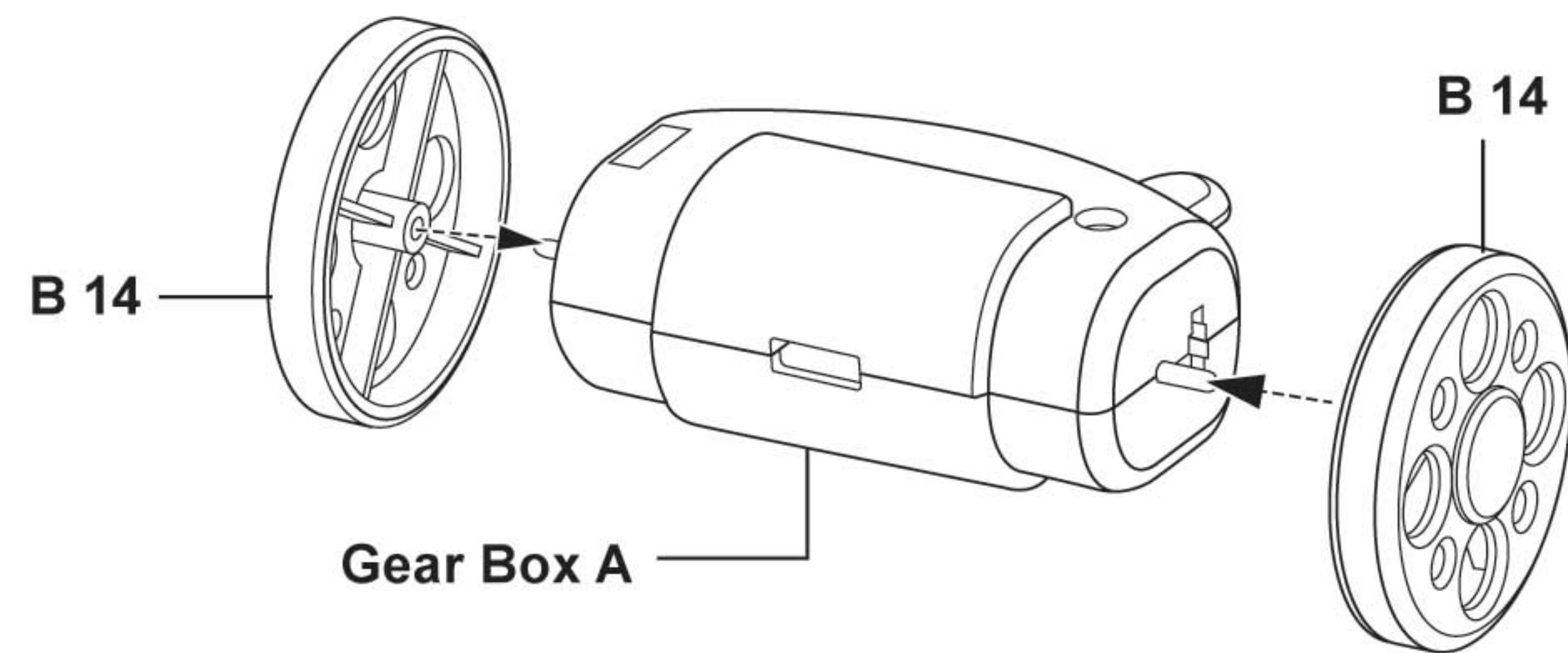


B 13

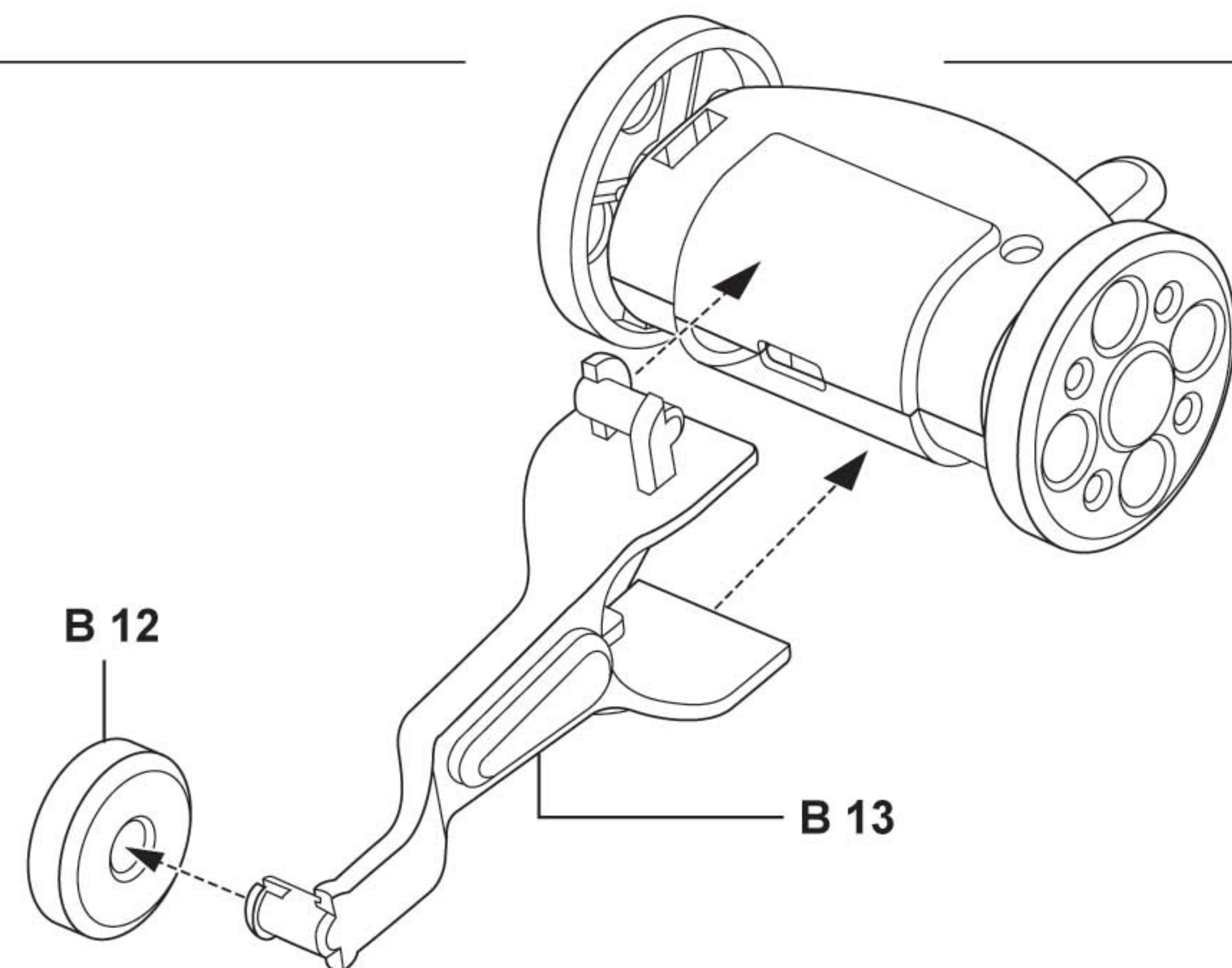


B 14

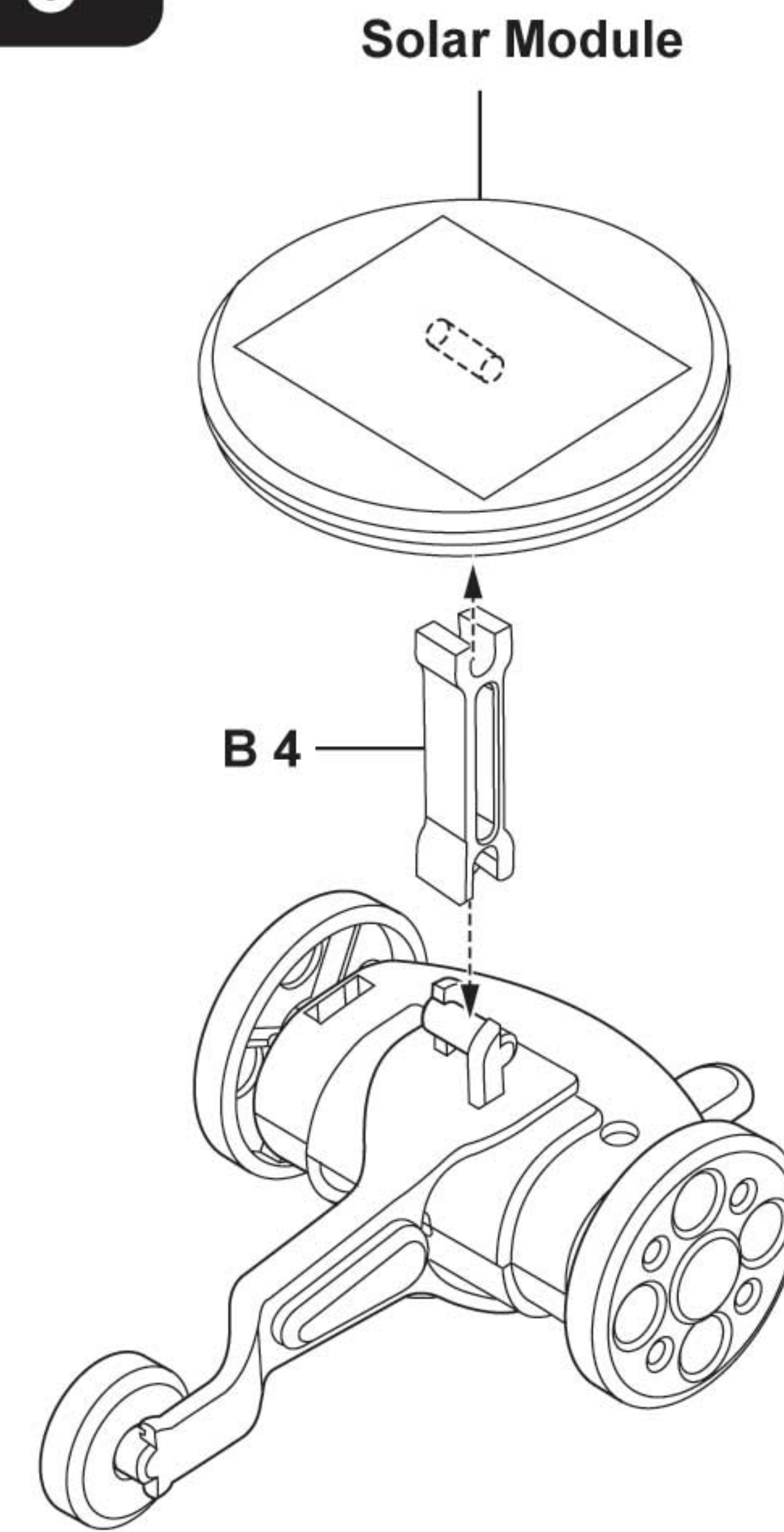
STEP 1



STEP 2

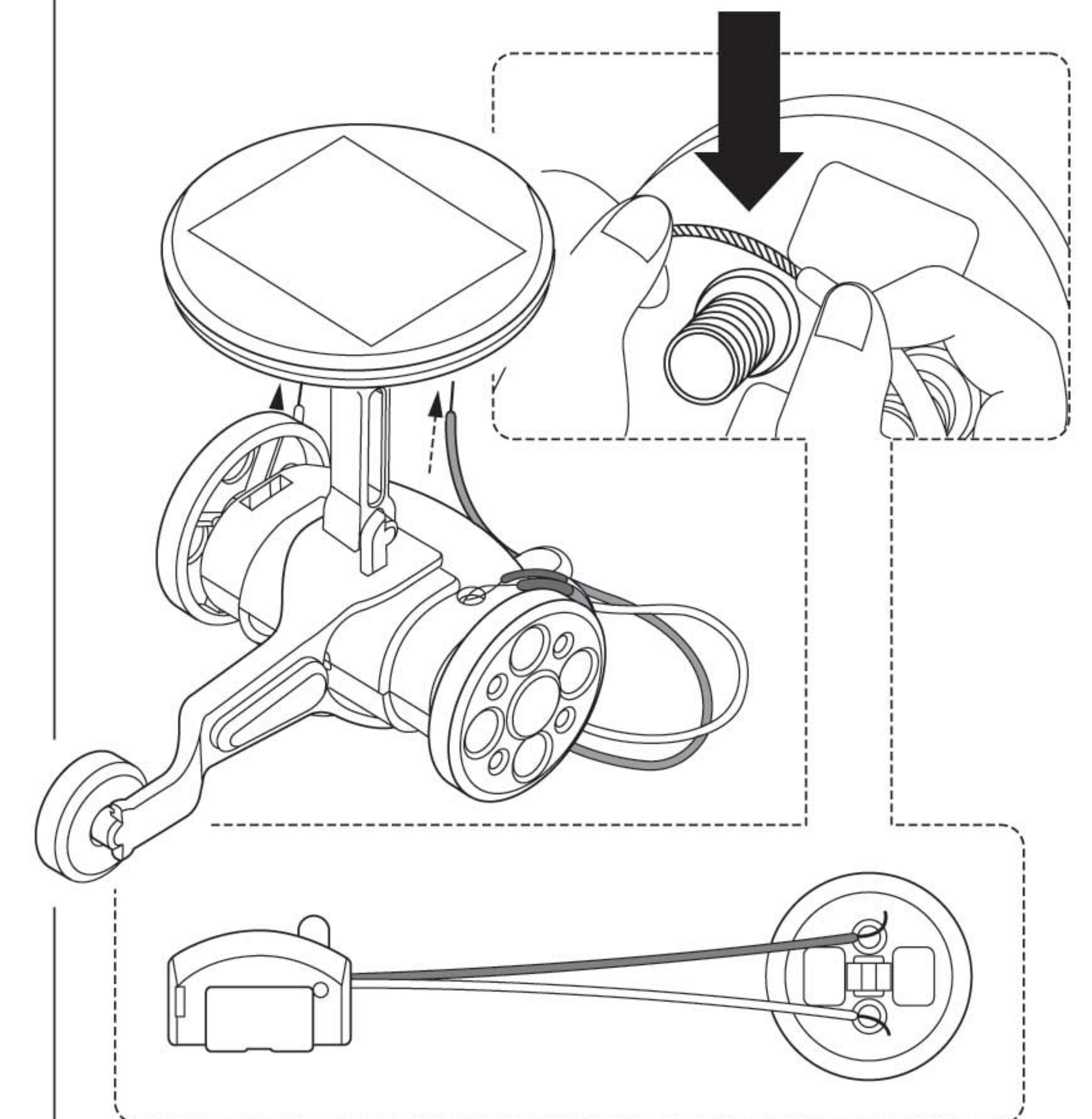


STEP 3



STEP 4

GEAR BOX CONNECT SOLAR MODULE



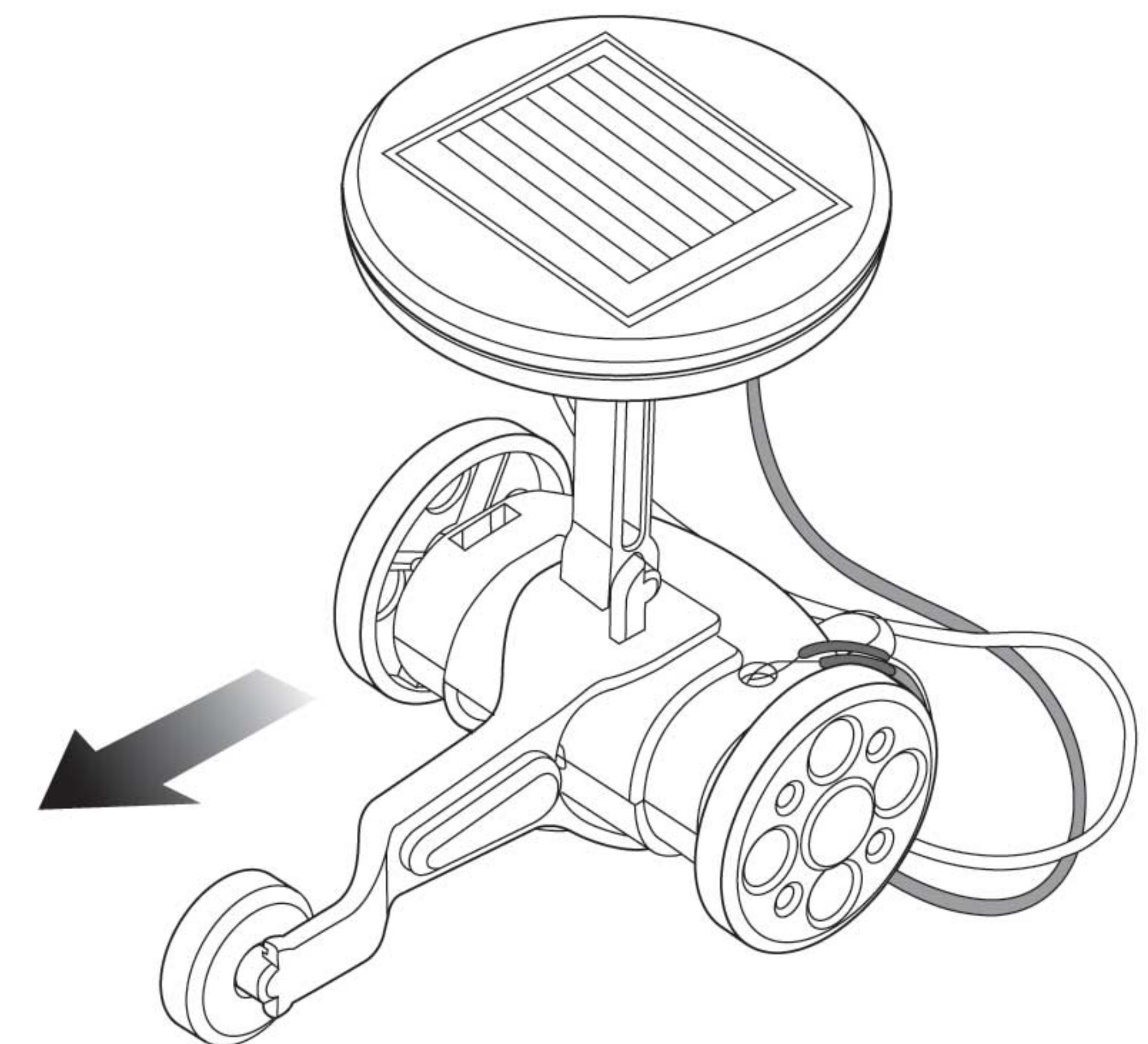
STEP 5

Finished Product !



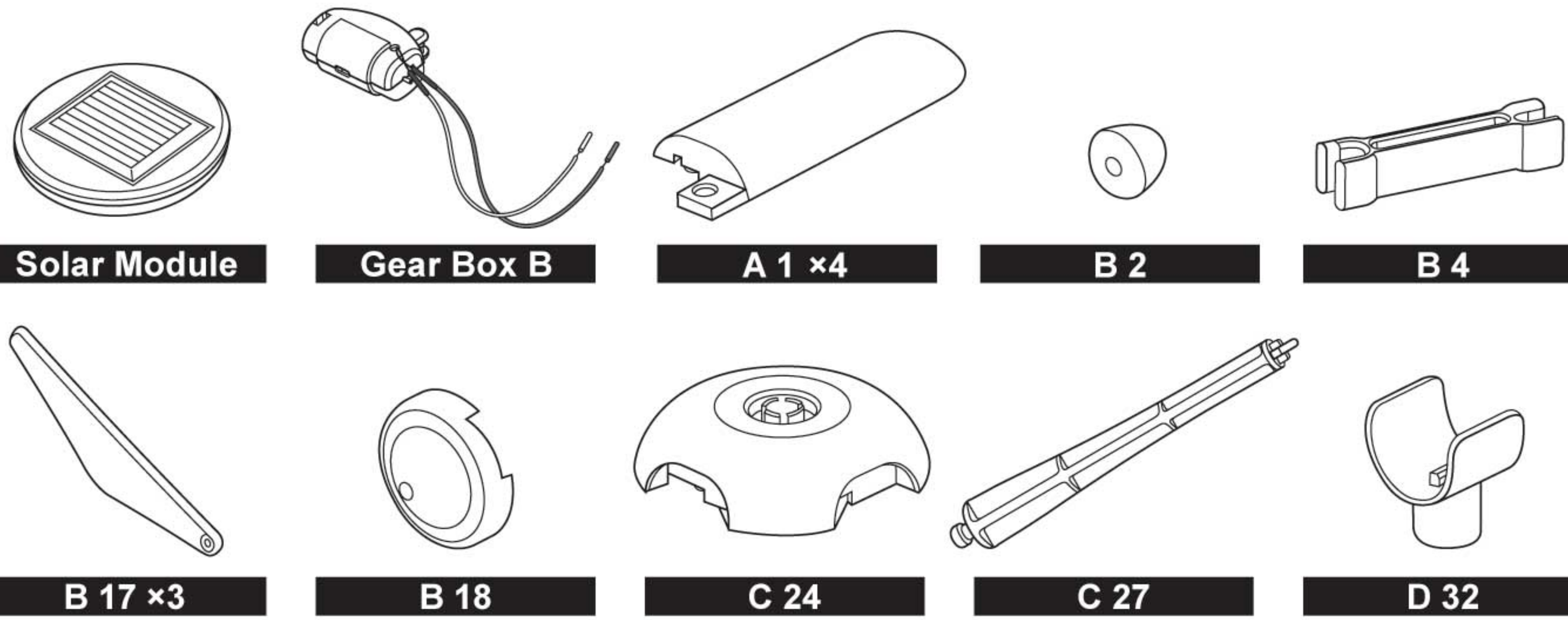
⚠ WARNING!

Do not leave in bright sunlight for an extended amount of time. This unit is powered by solar, though leaving unit where heat collects over time may damage some components.

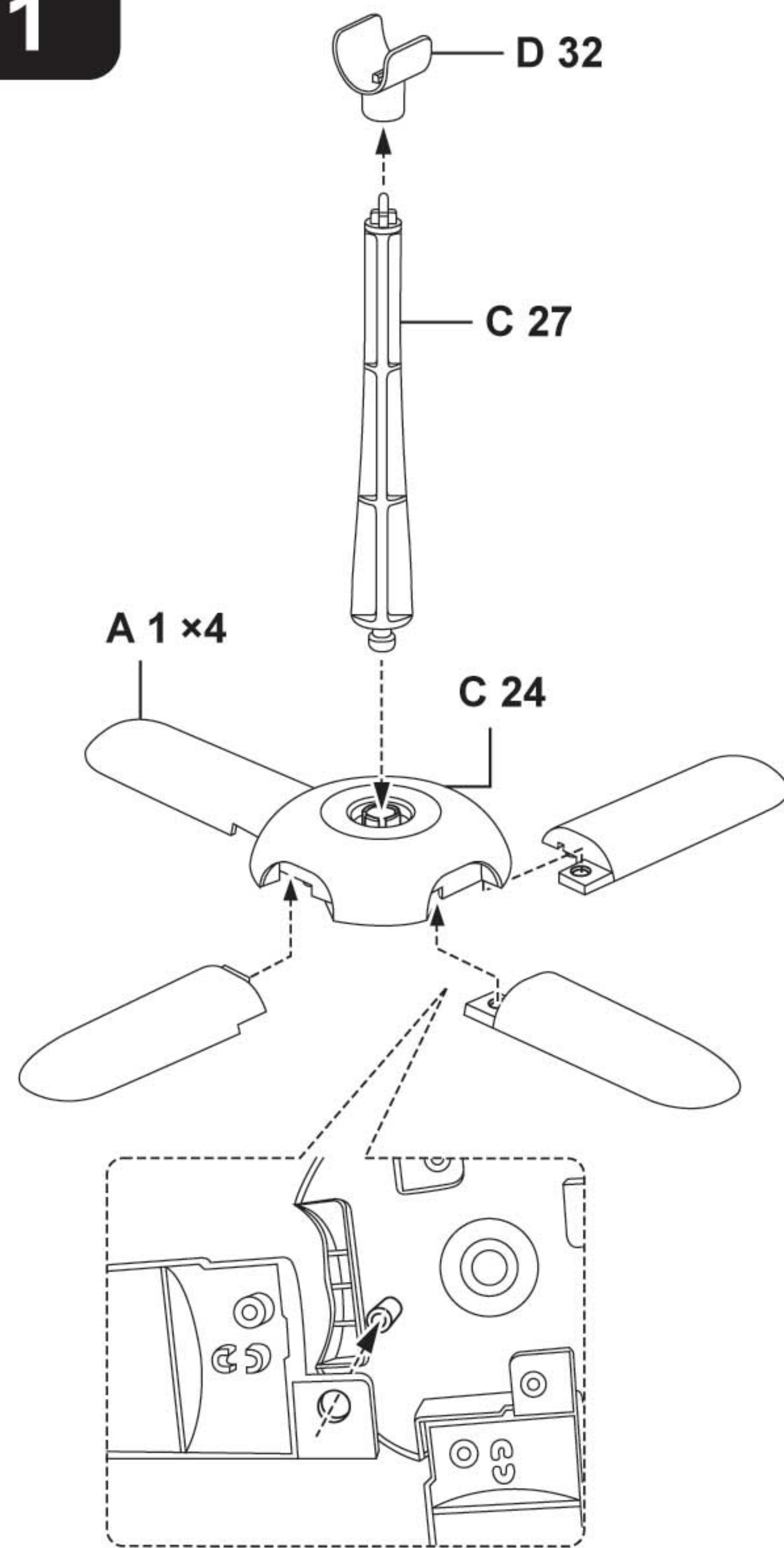


Solar Windmill

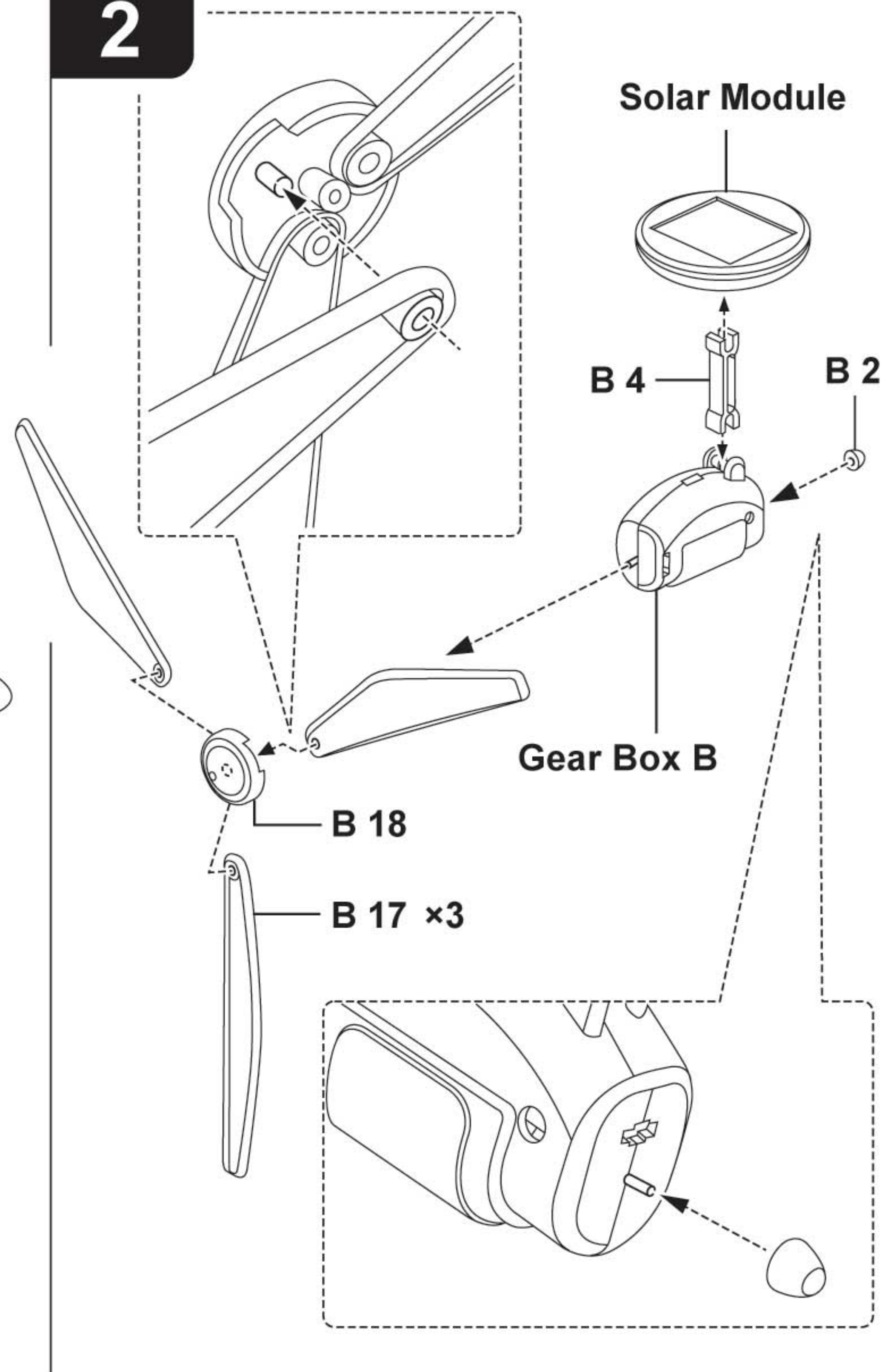
Parts Required



STEP
1

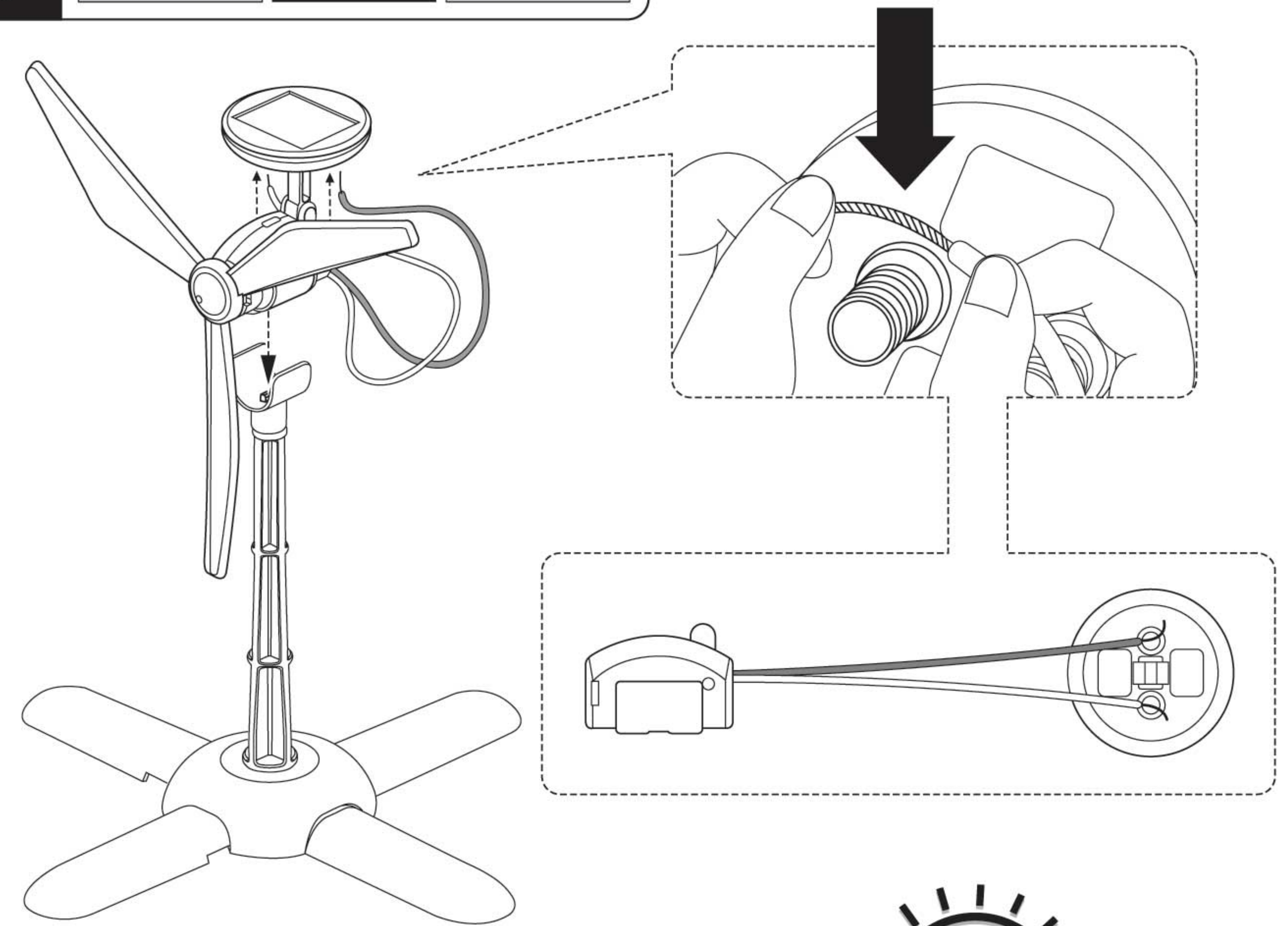


STEP
2



STEP
3

GEAR BOX CONNECT SOLAR MODULE



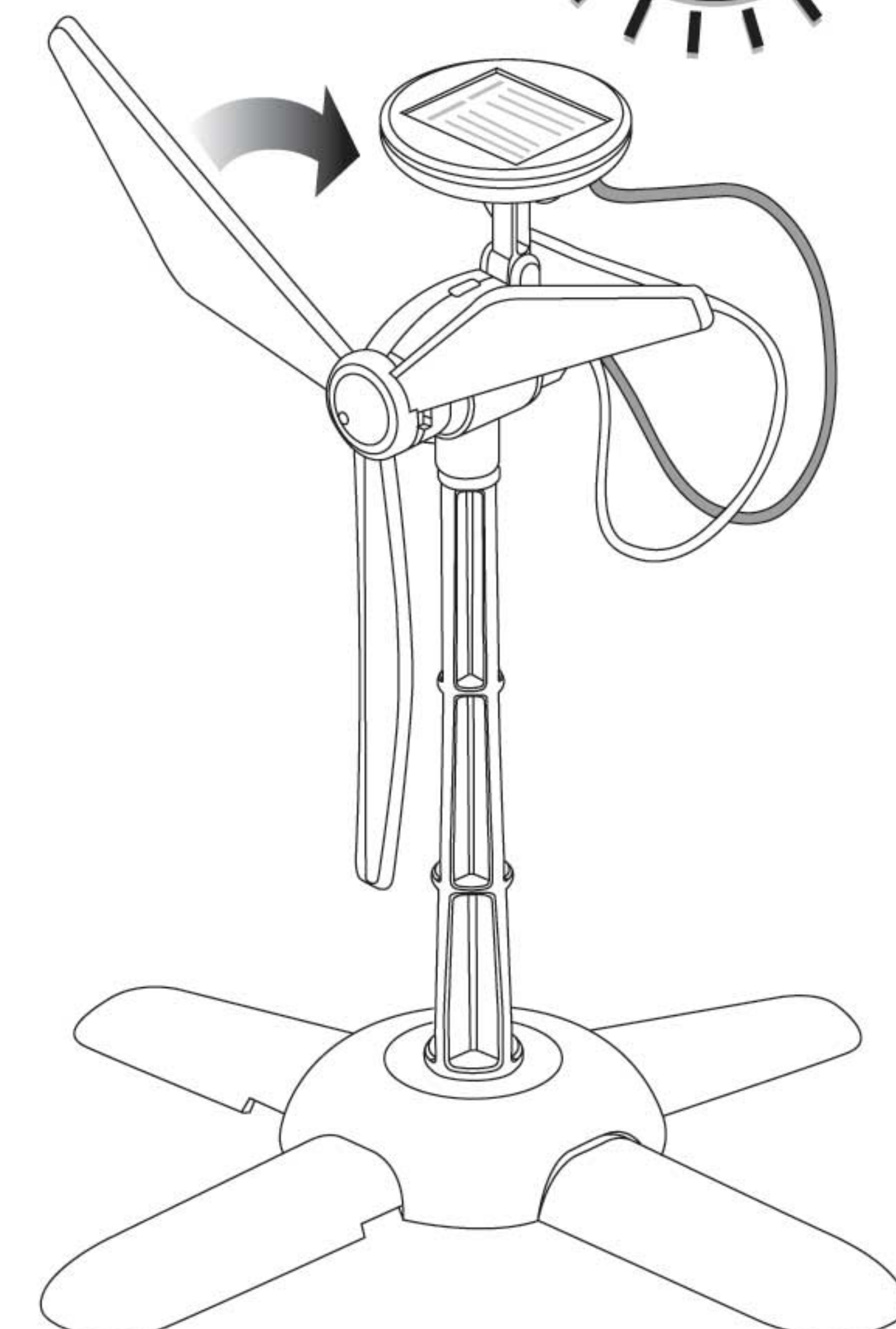
STEP
4

Finished Product !



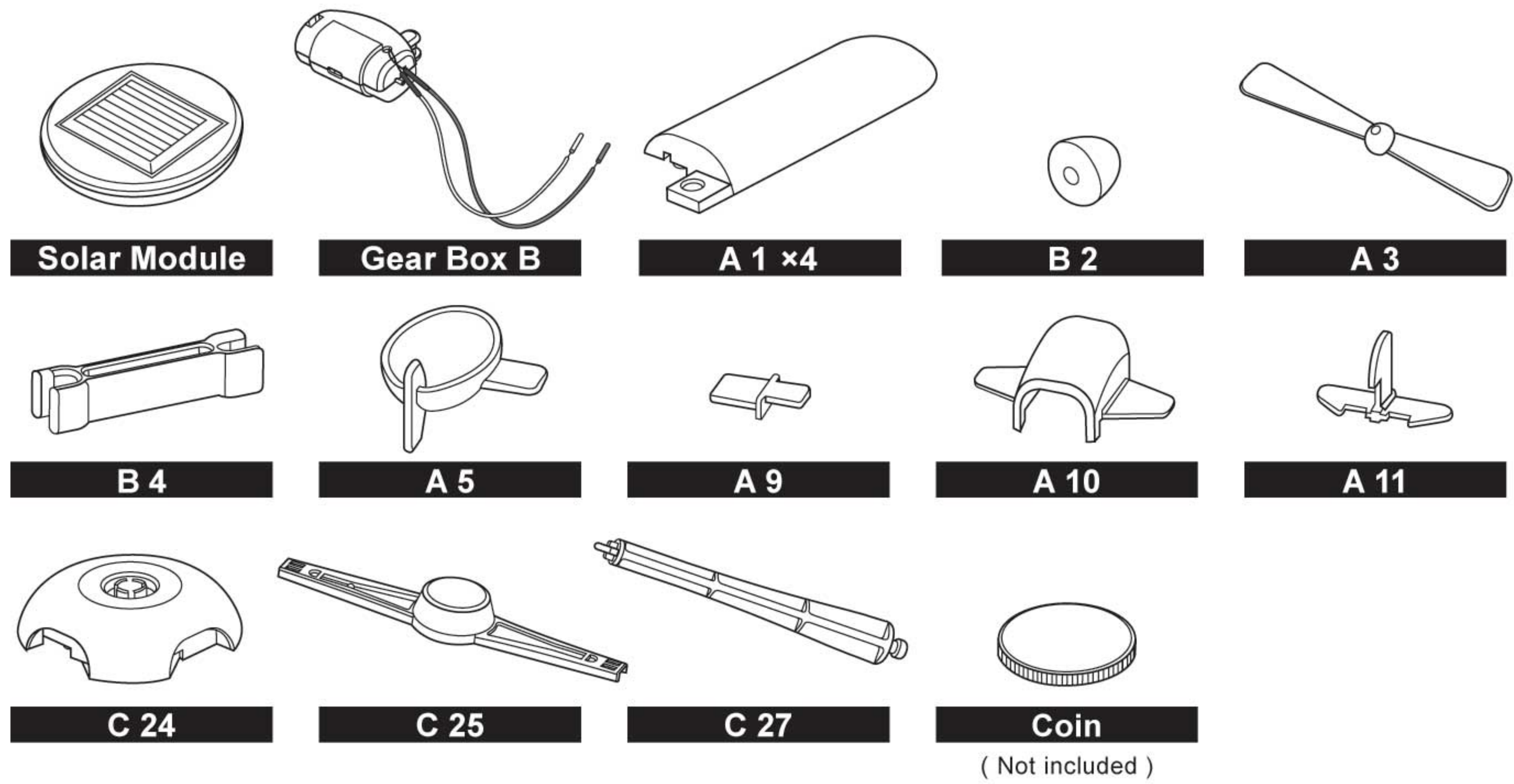
⚠ WARNING!

Do not leave in bright sunlight for an extended amount of time. This unit is powered by solar, though leaving unit where heat collects over time may damage some components.

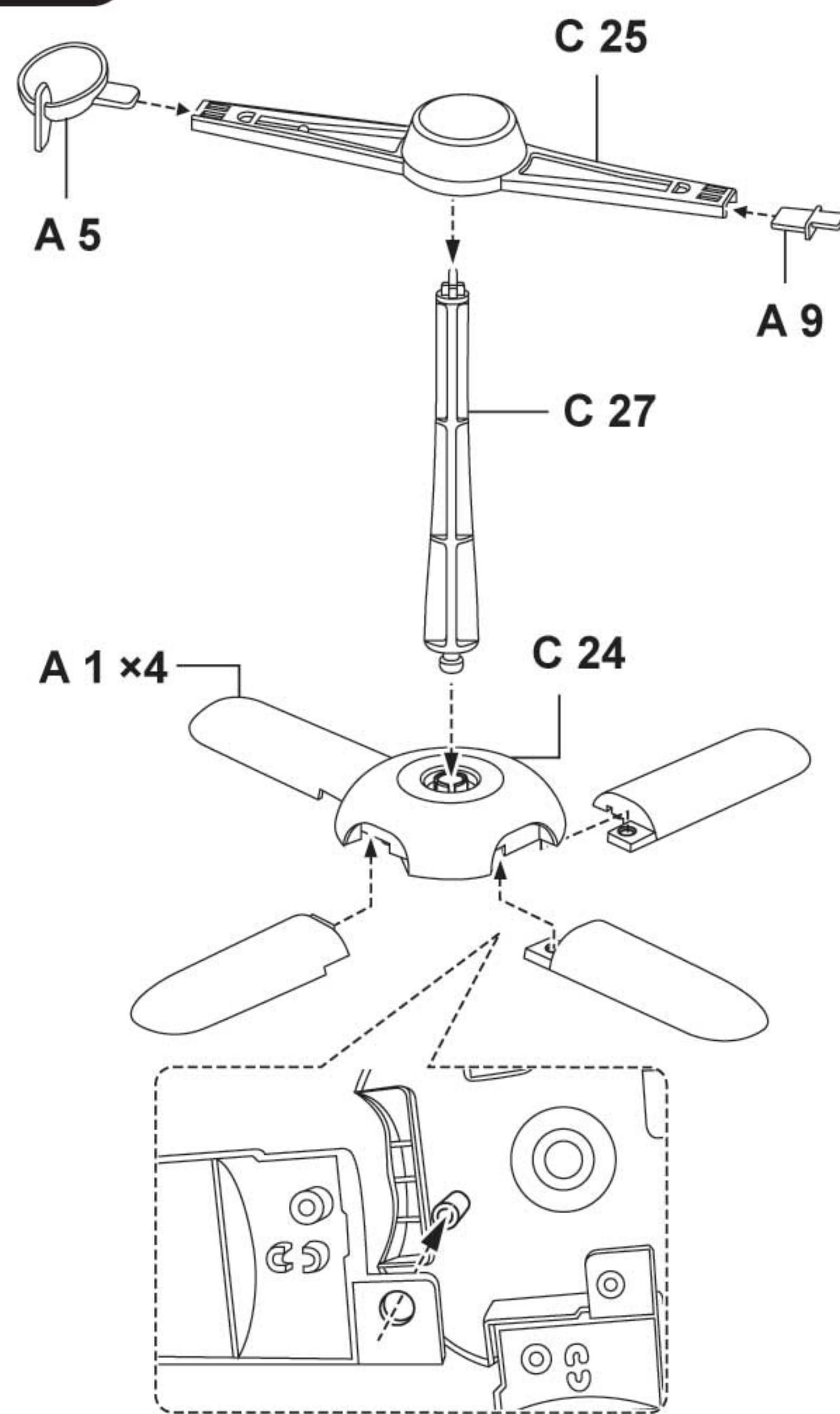


Solar Plane

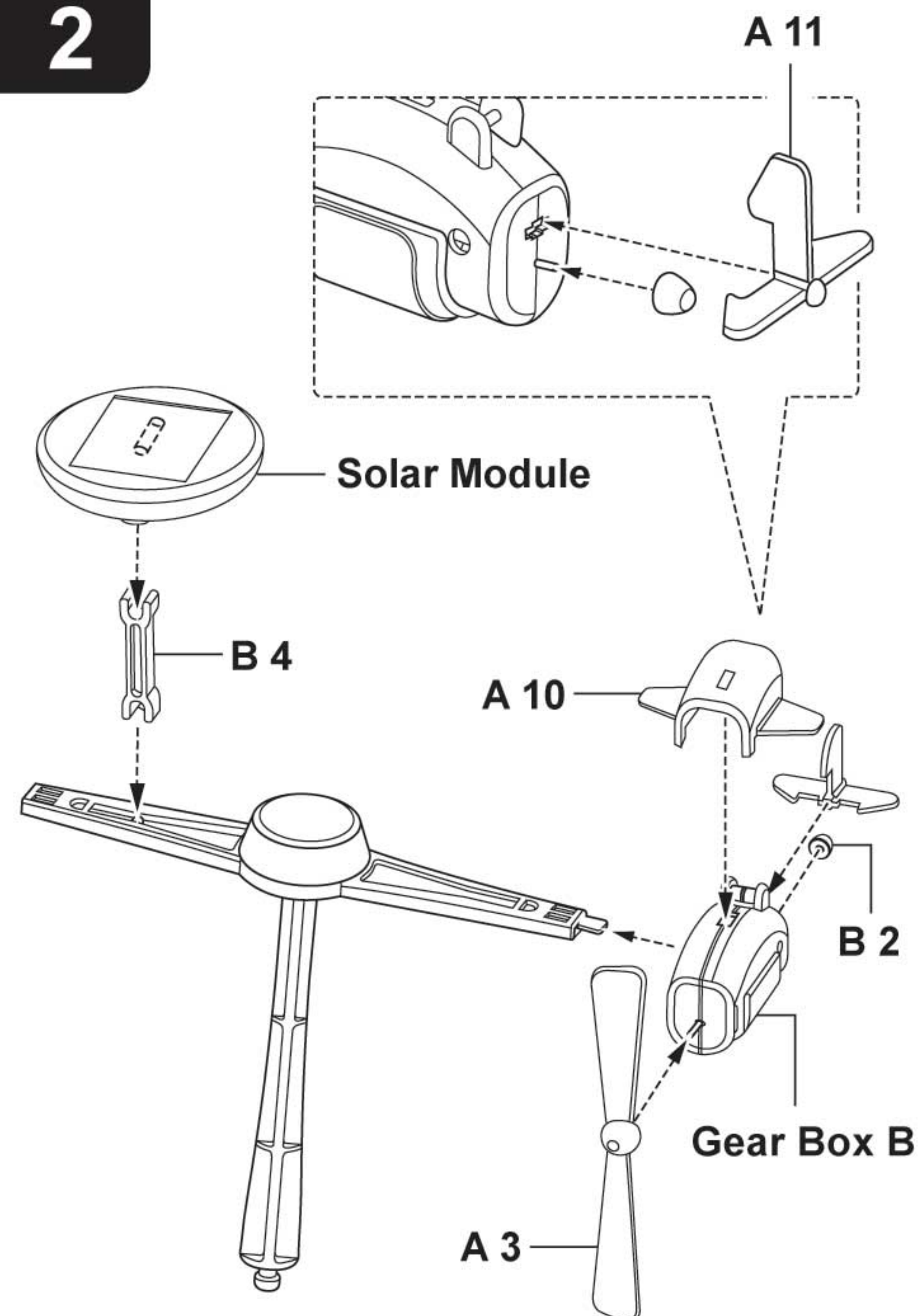
Parts Required



STEP
1



STEP
2

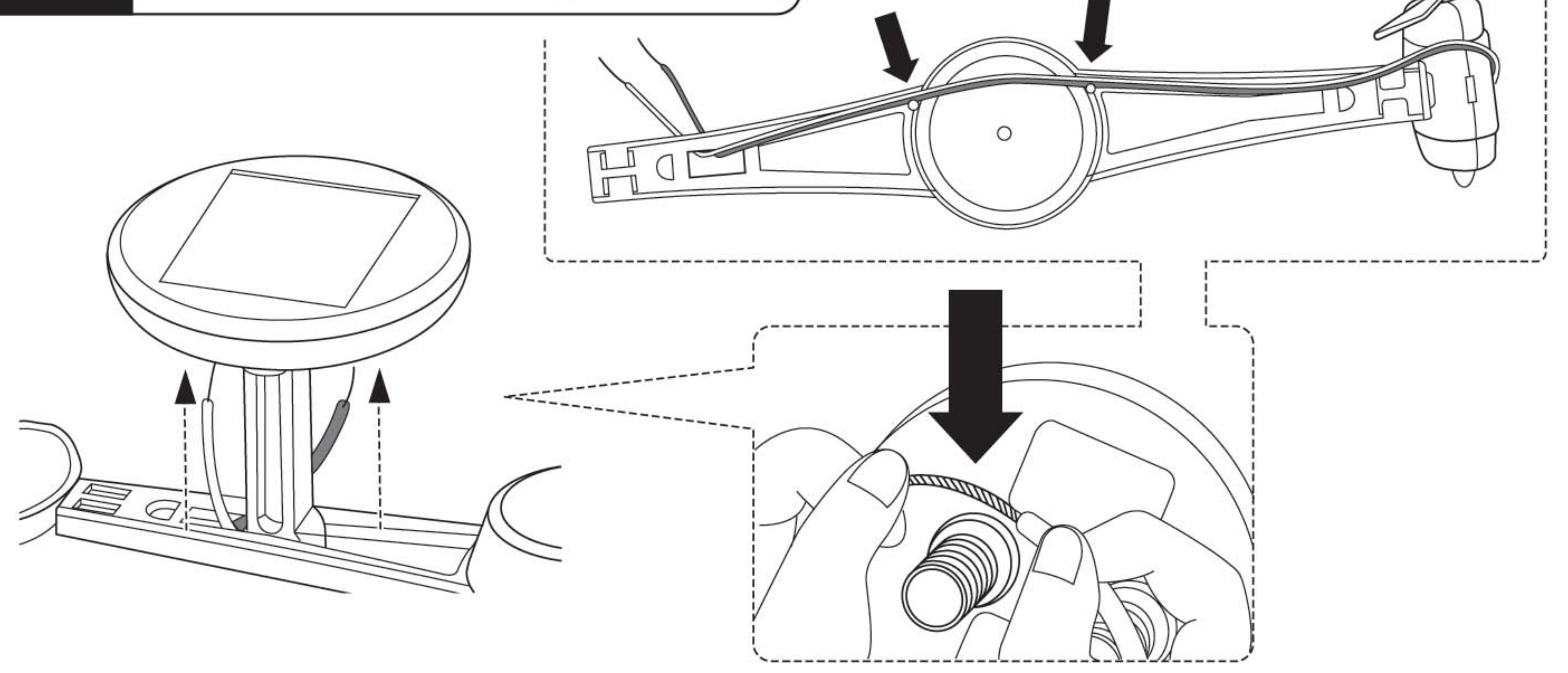


STEP
3

GEAR BOX

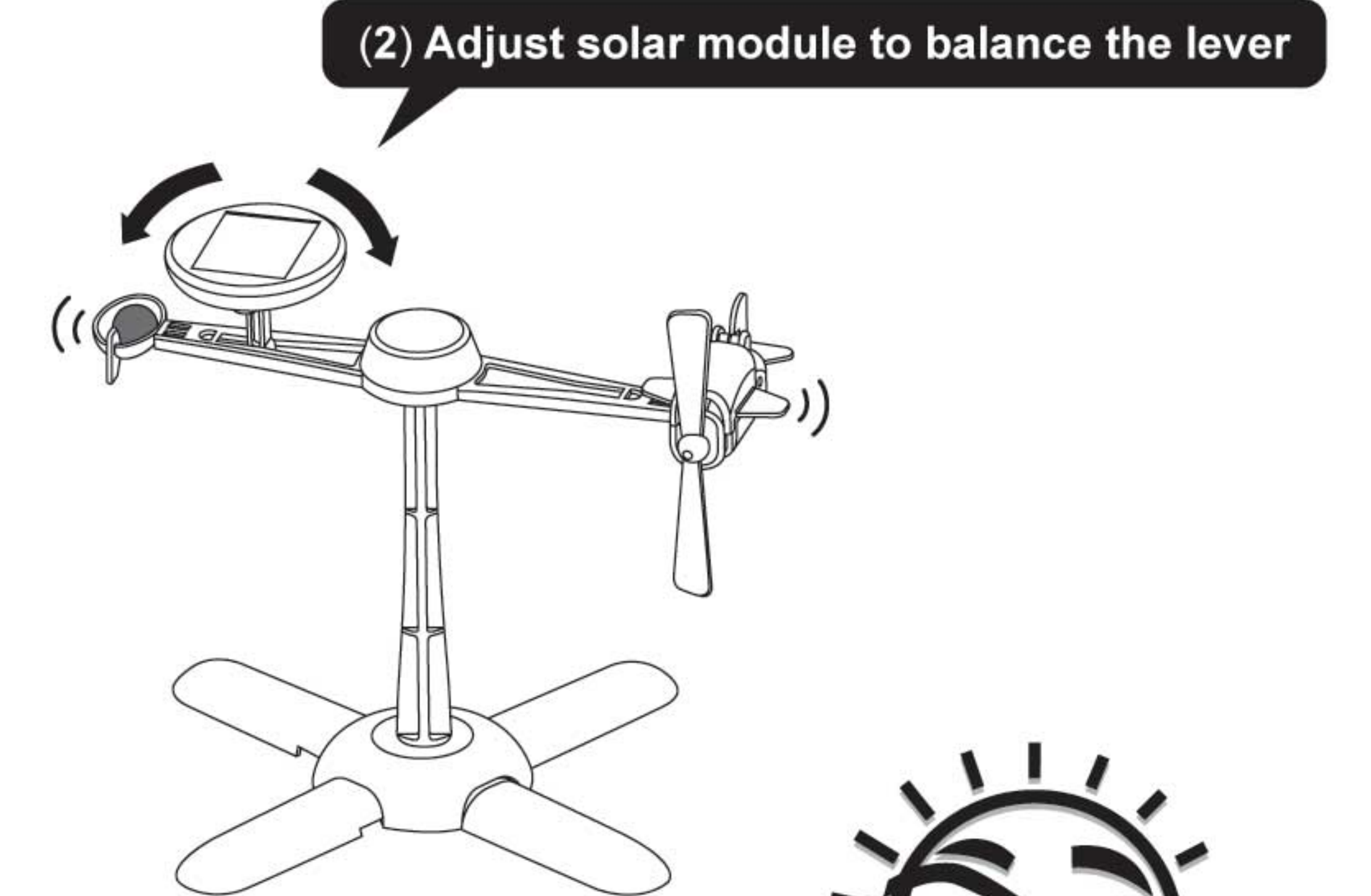
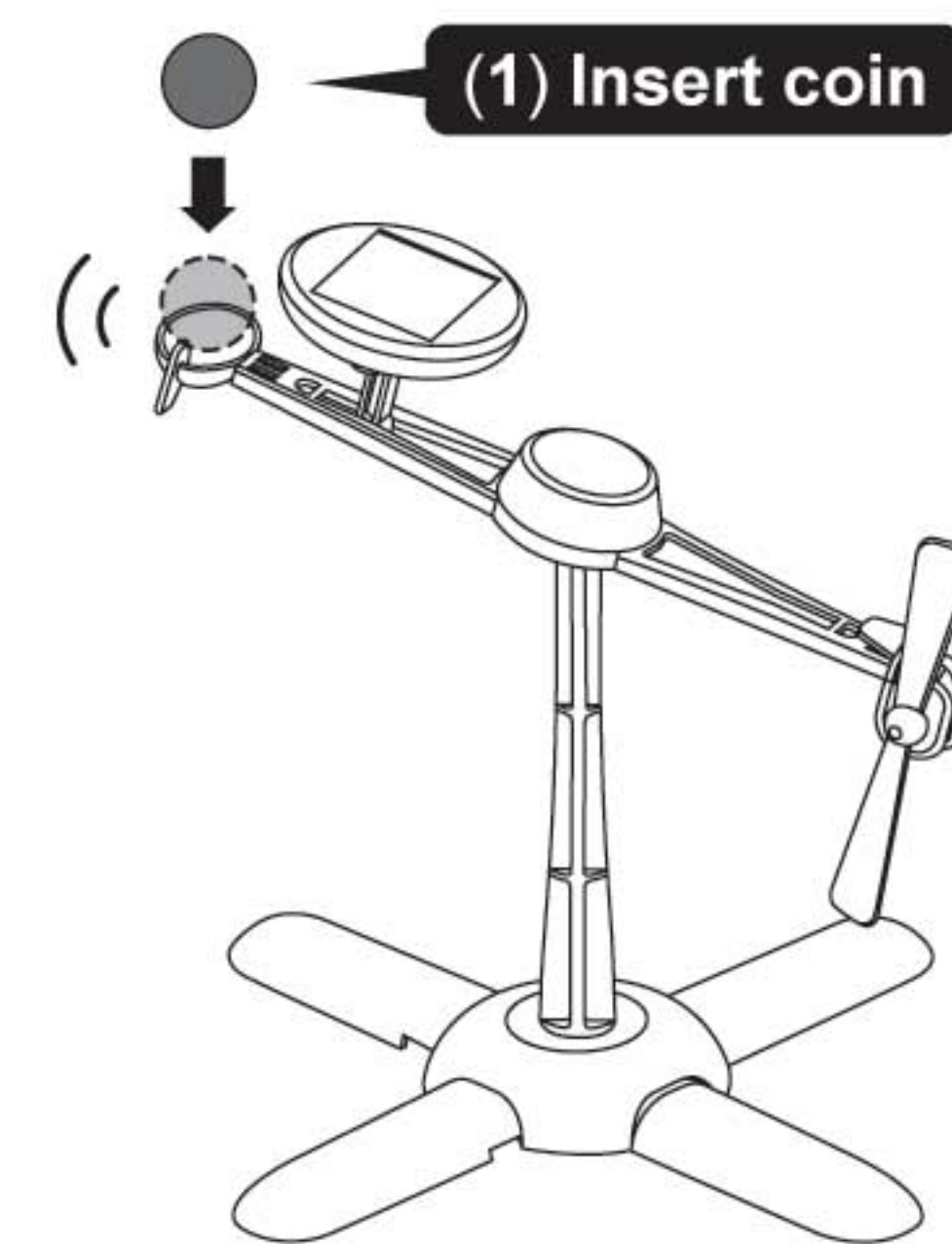
CONNECT

SOLAR MODULE



STEP
4

How to play

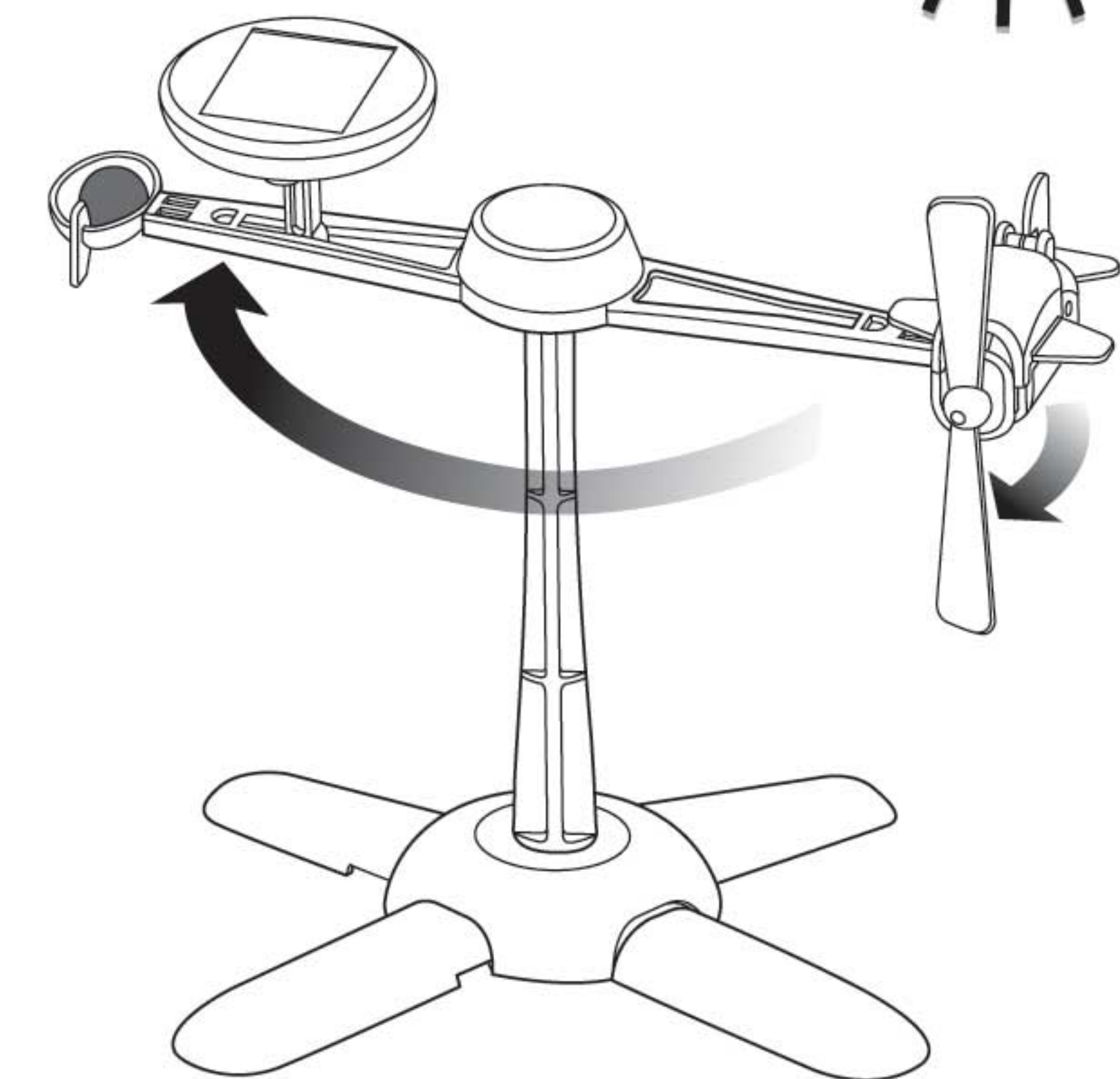


STEP
5

Finished Product !

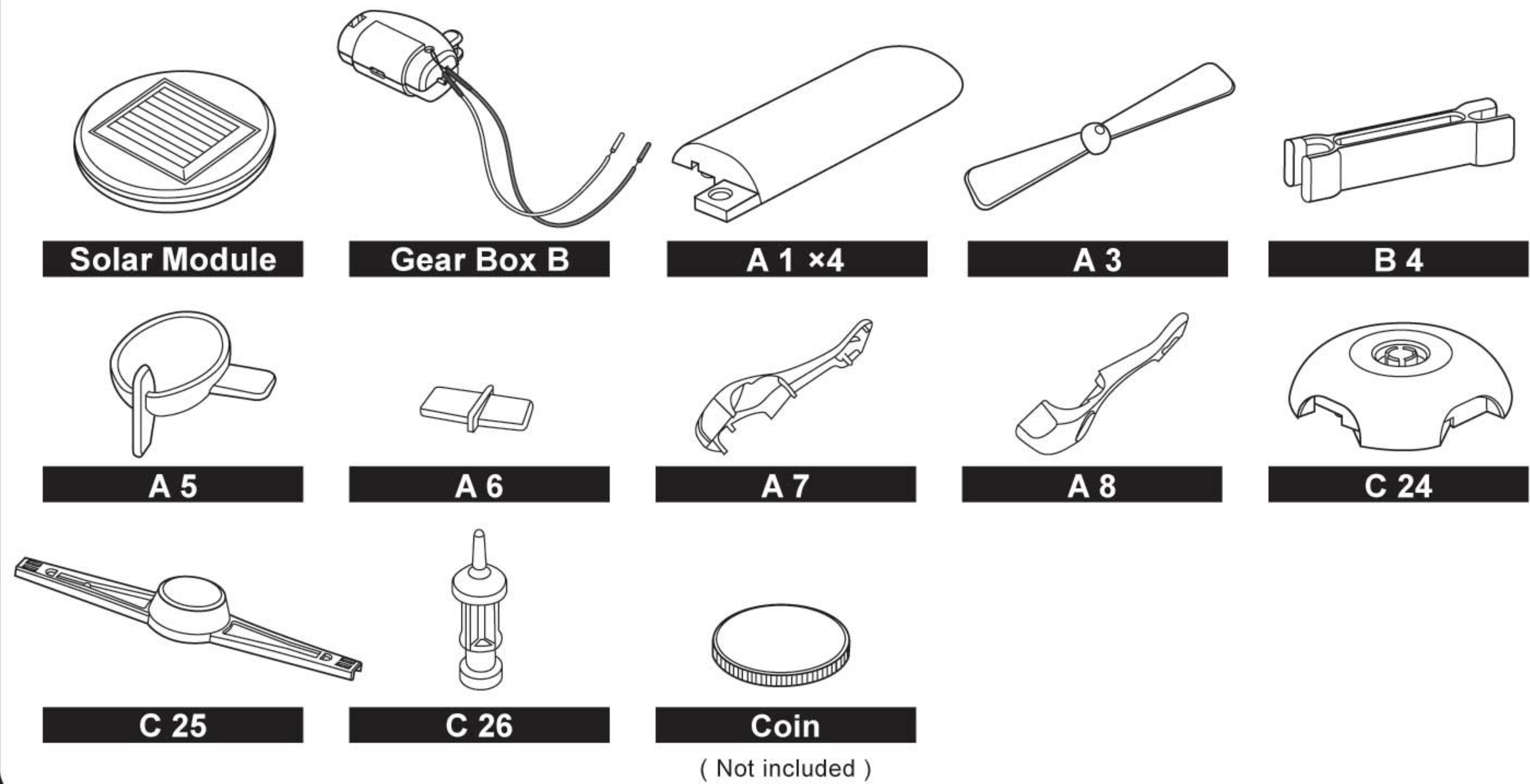
WARNING!

Do not leave in bright sunlight for an extended amount of time. This unit is powered by solar, though leaving unit where heat collects over time may damage some components.

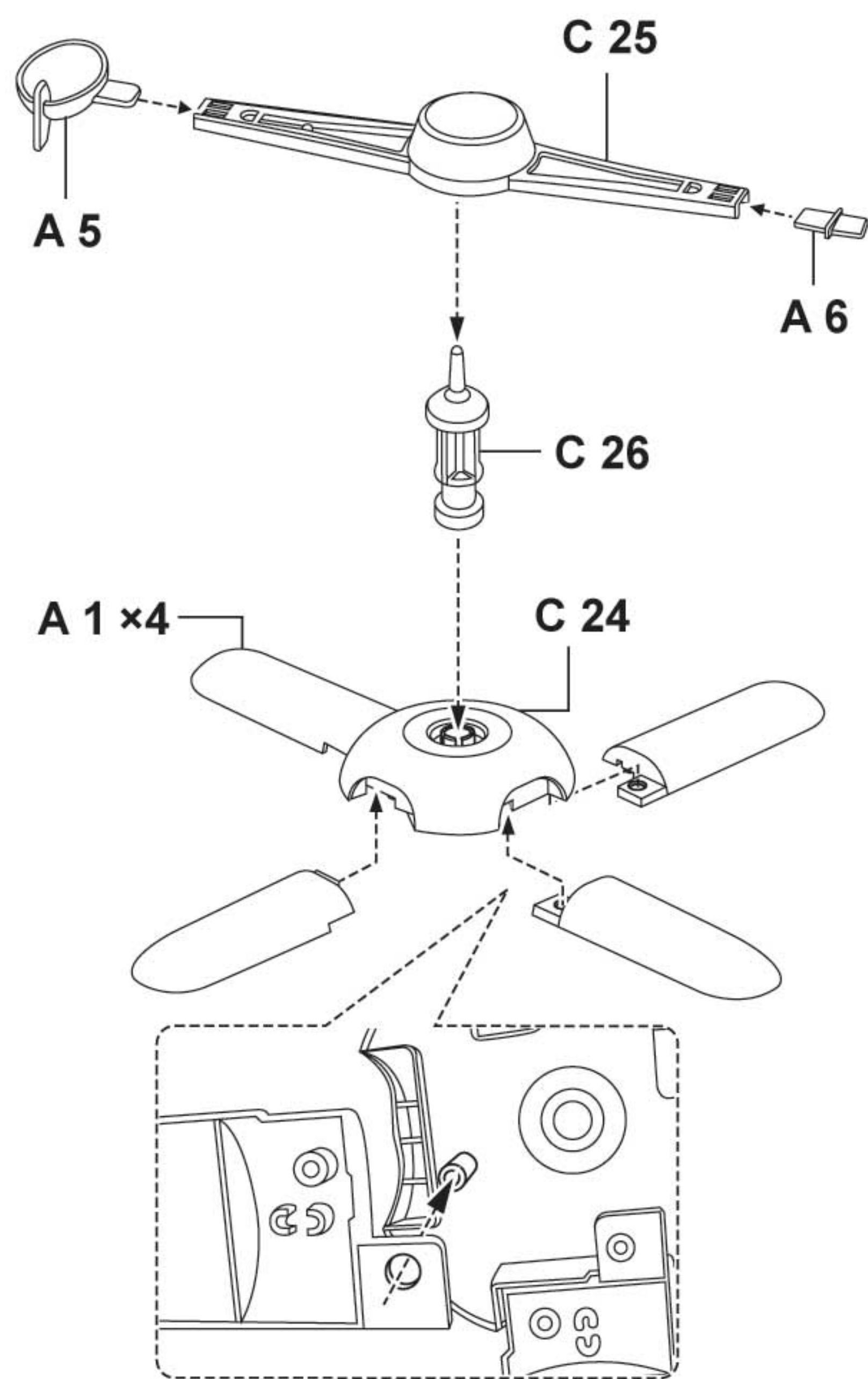


Solar Helicopter

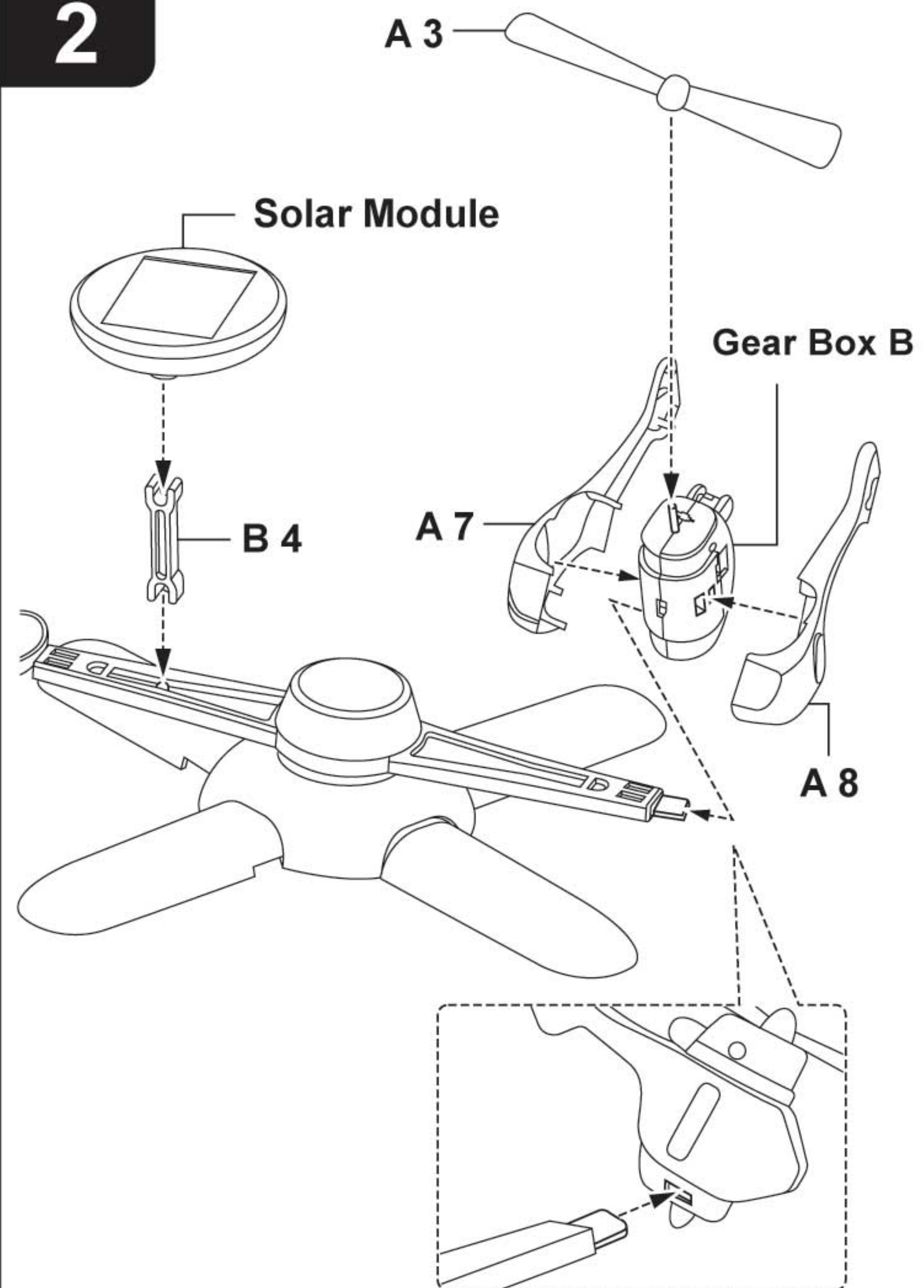
Parts Required



STEP 1

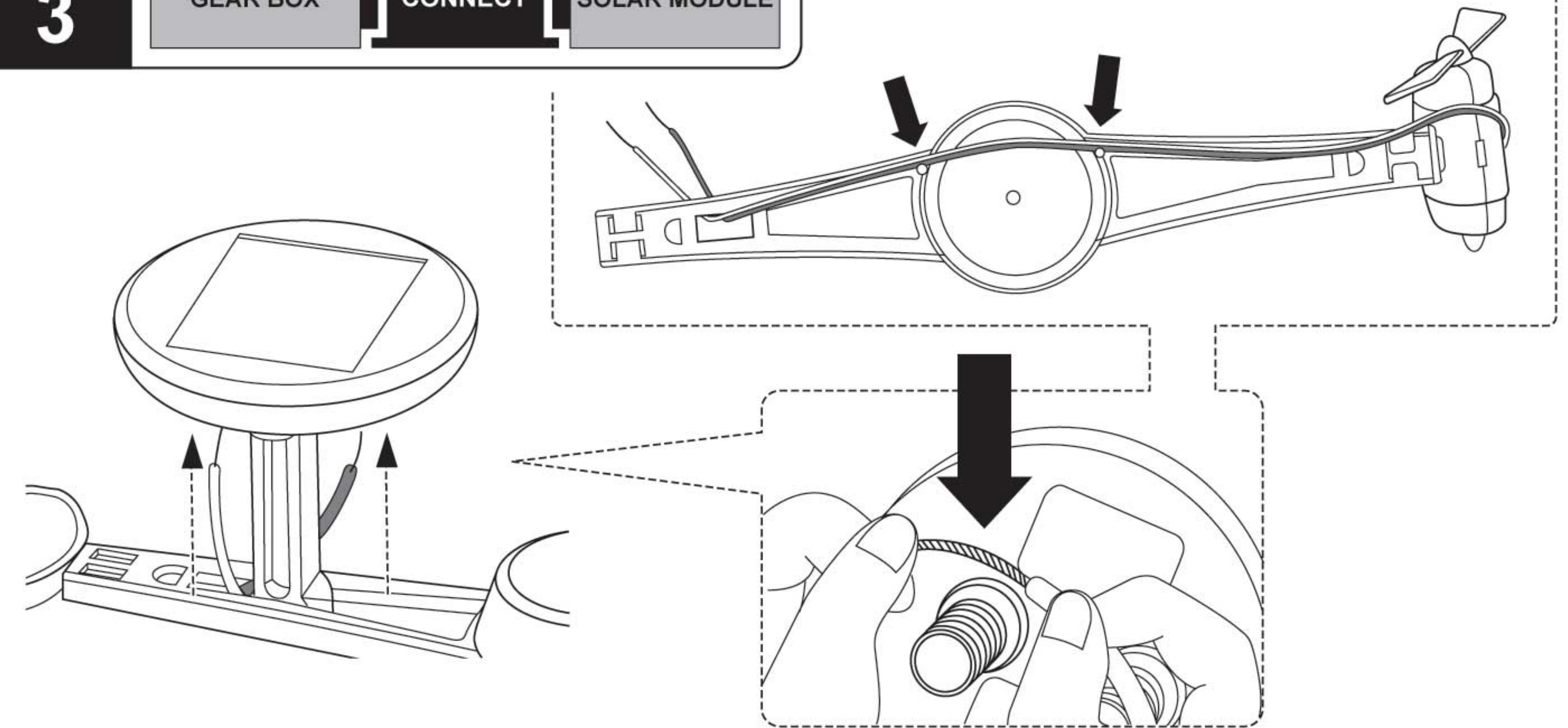


STEP 2



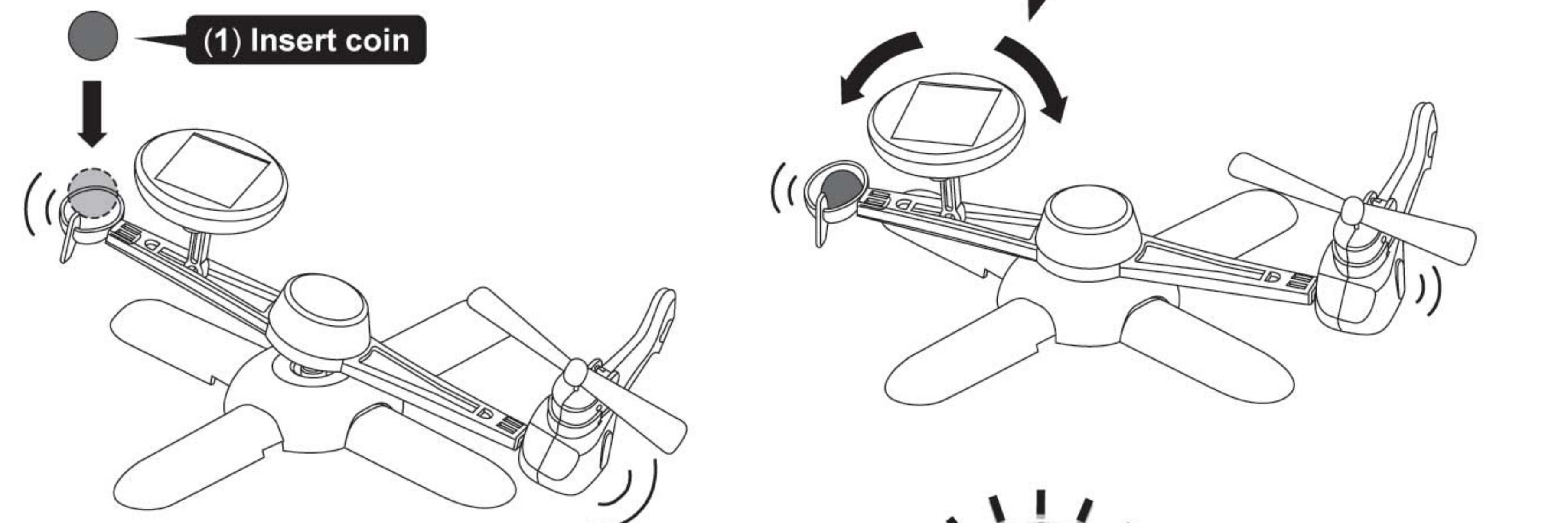
STEP 3

GEAR BOX CONNECT SOLAR MODULE



STEP 4

How to play



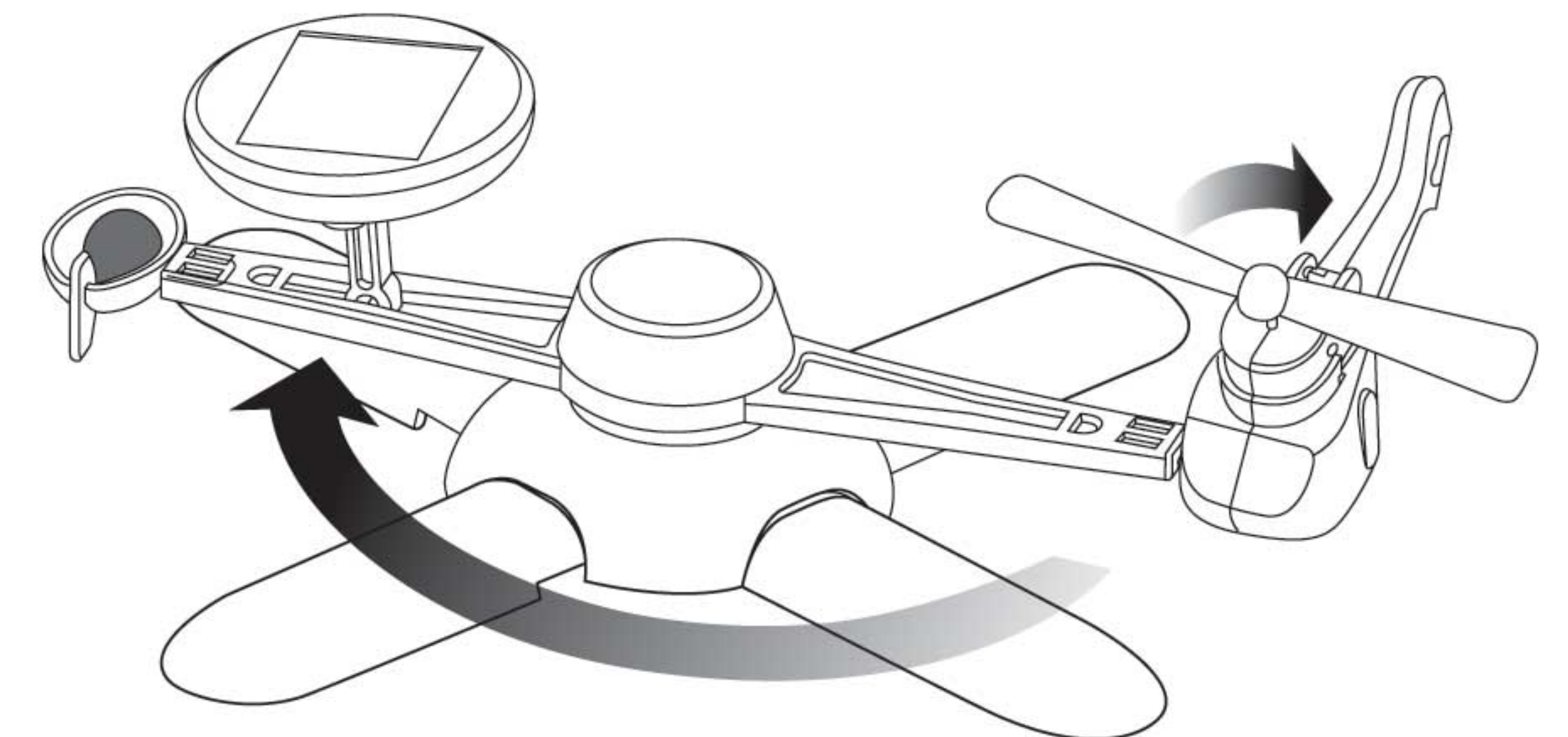
STEP 5

Finished Product !



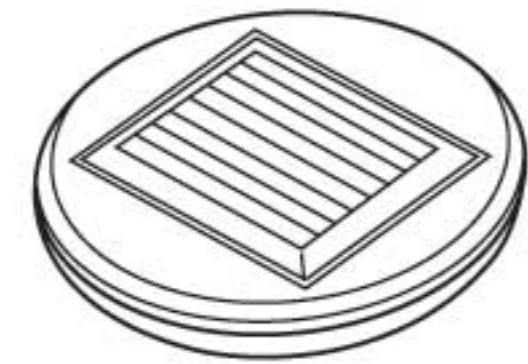
WARNING!

Do not leave in bright sunlight for an extended amount of time. This unit is powered by solar, though leaving unit where heat collects over time may damage some components.



Solar Airboat

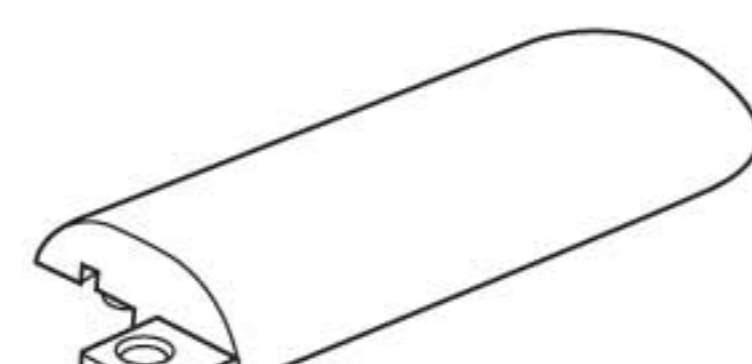
Parts Required



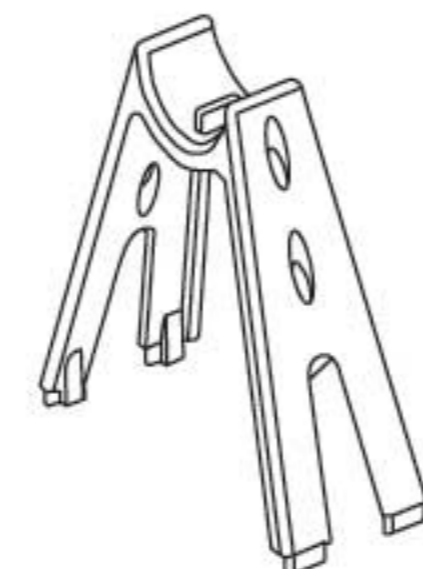
Solar Module



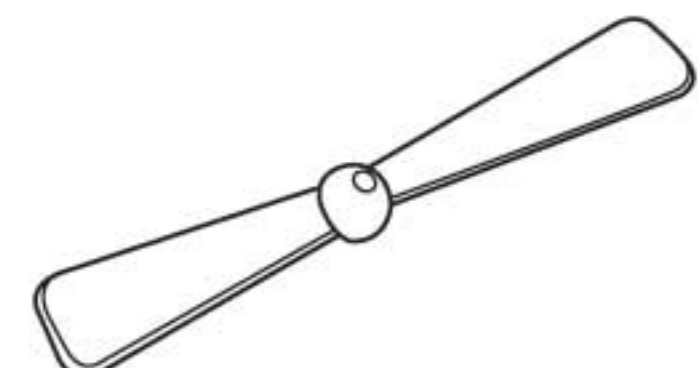
Gear Box B



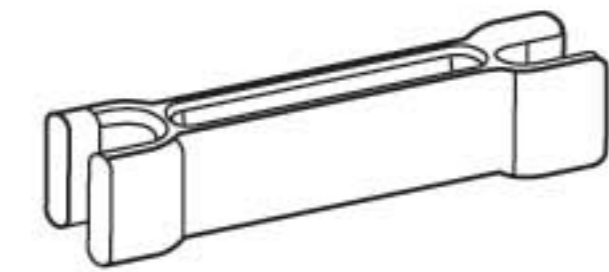
A 1 x4



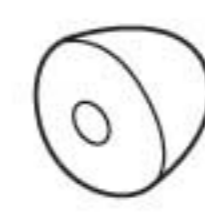
C 19



A 3



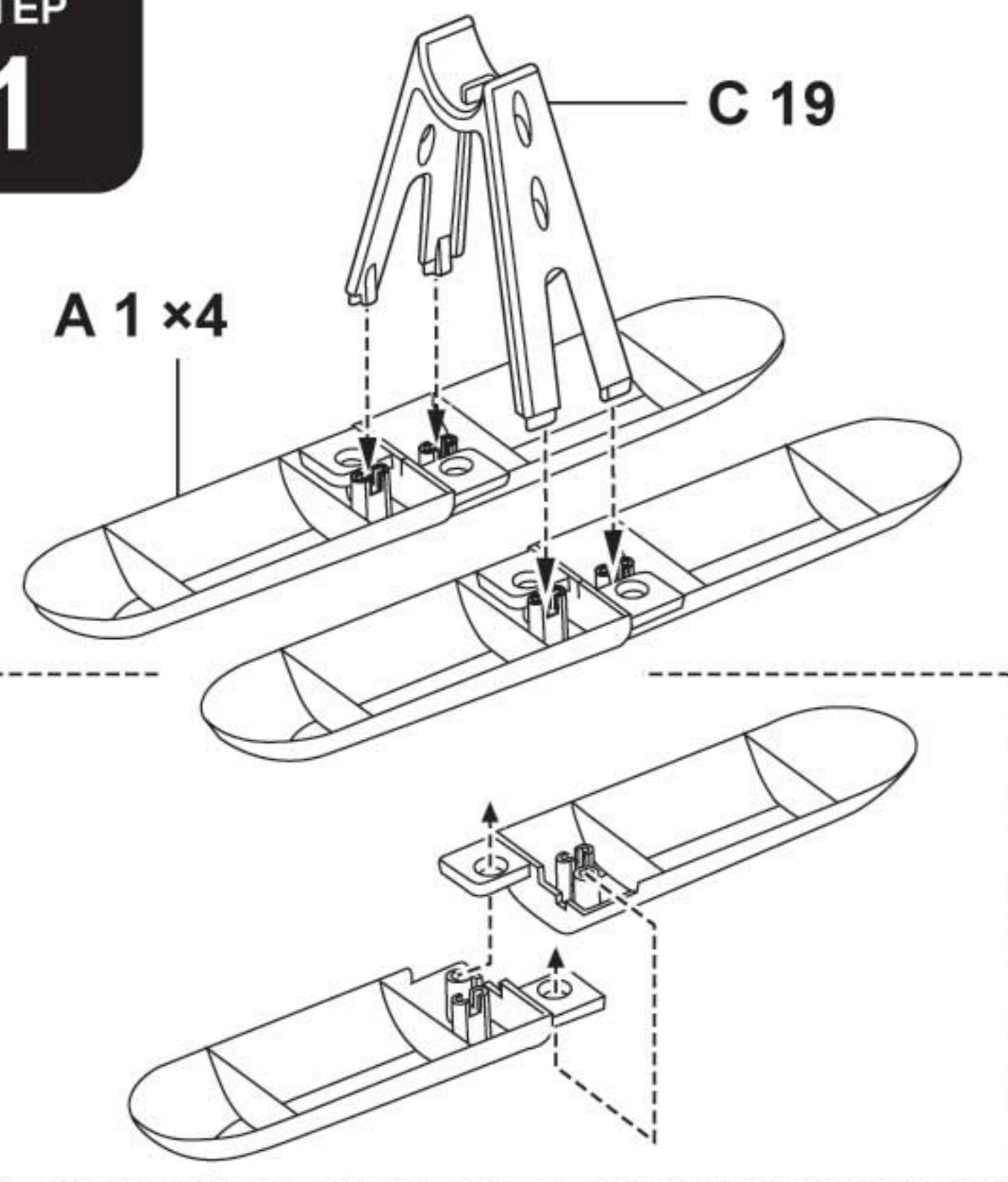
B 4



B 2

STEP

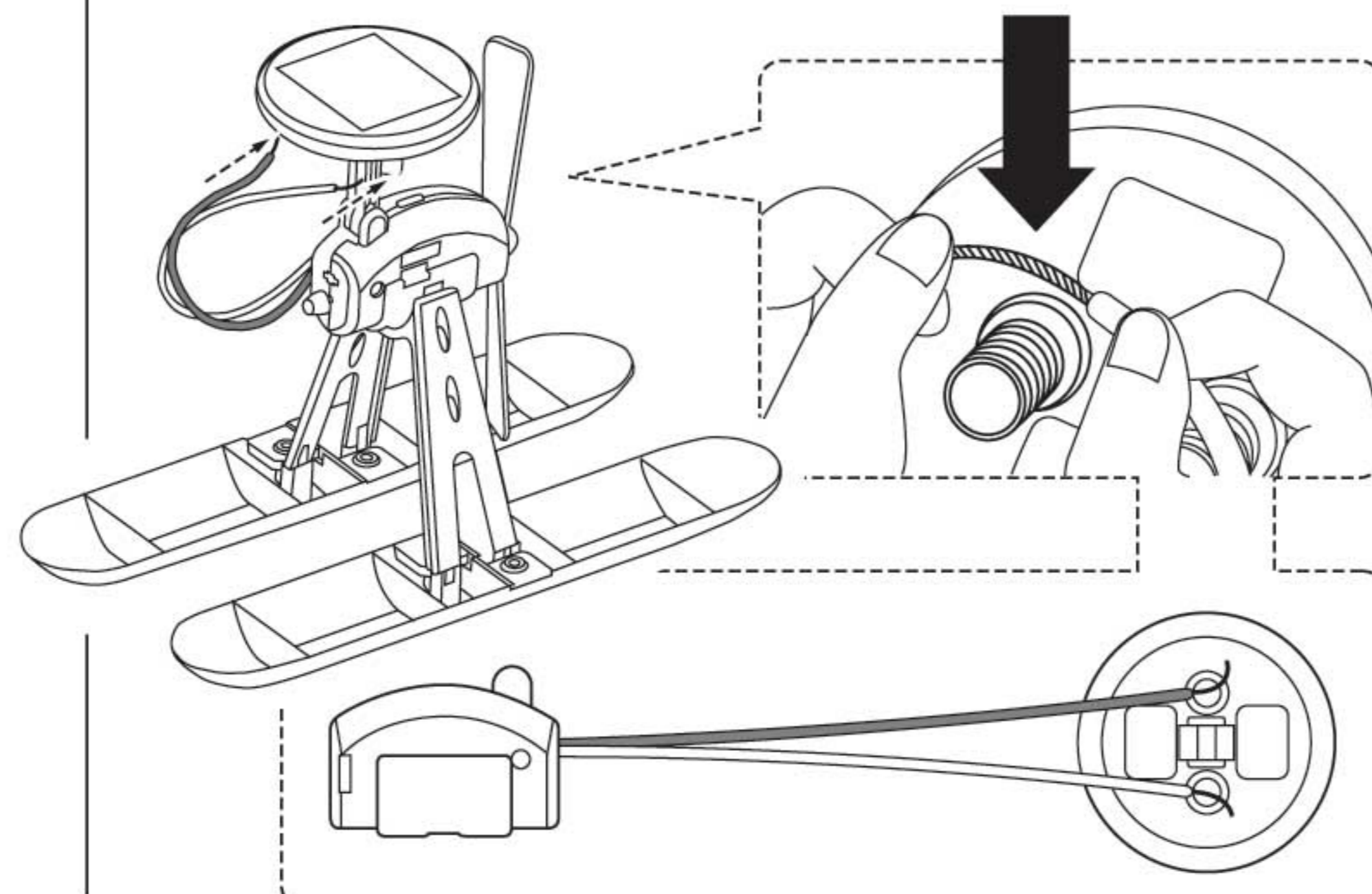
1



STEP

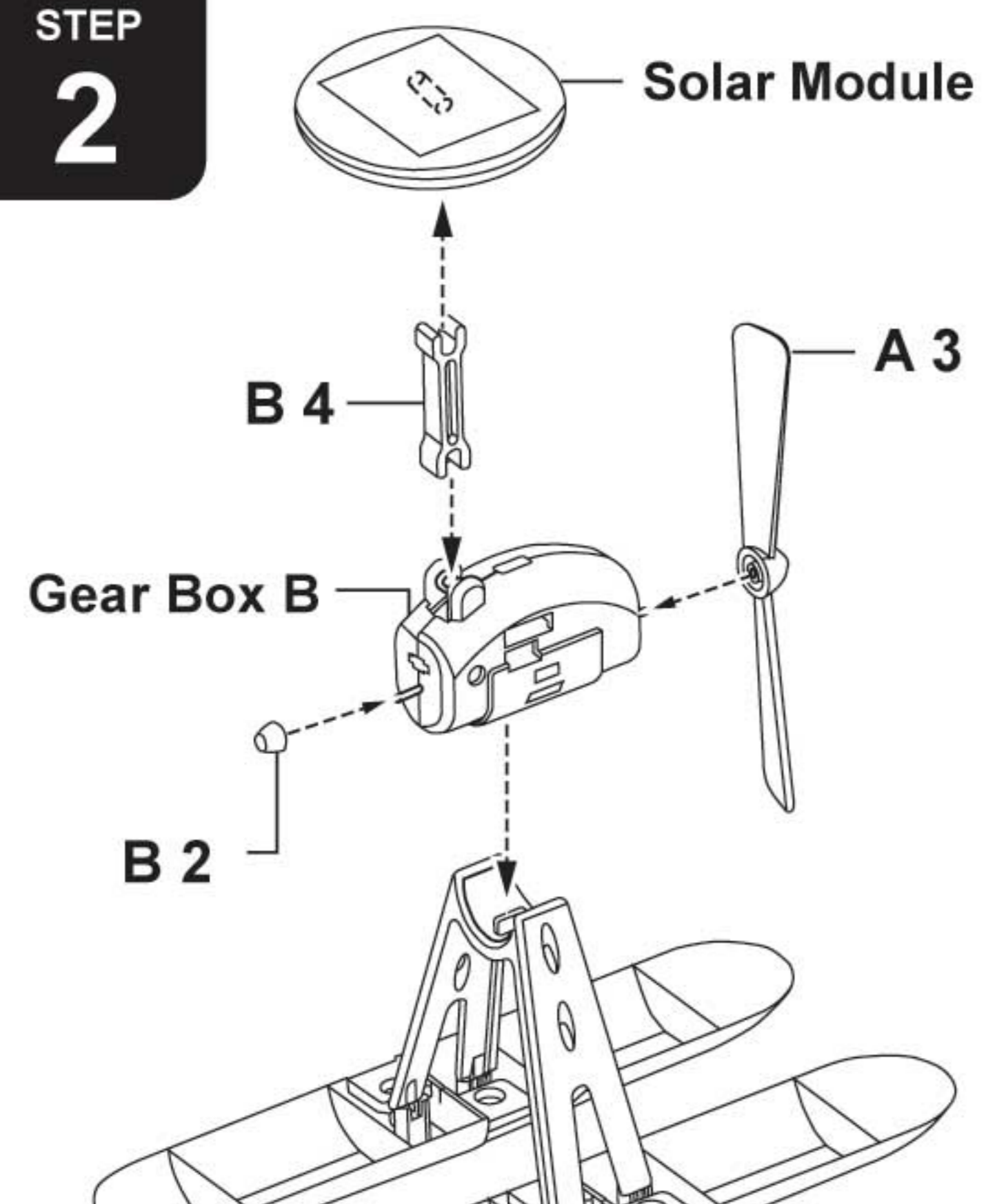
3

GEAR BOX CONNECT SOLAR MODULE



STEP

2



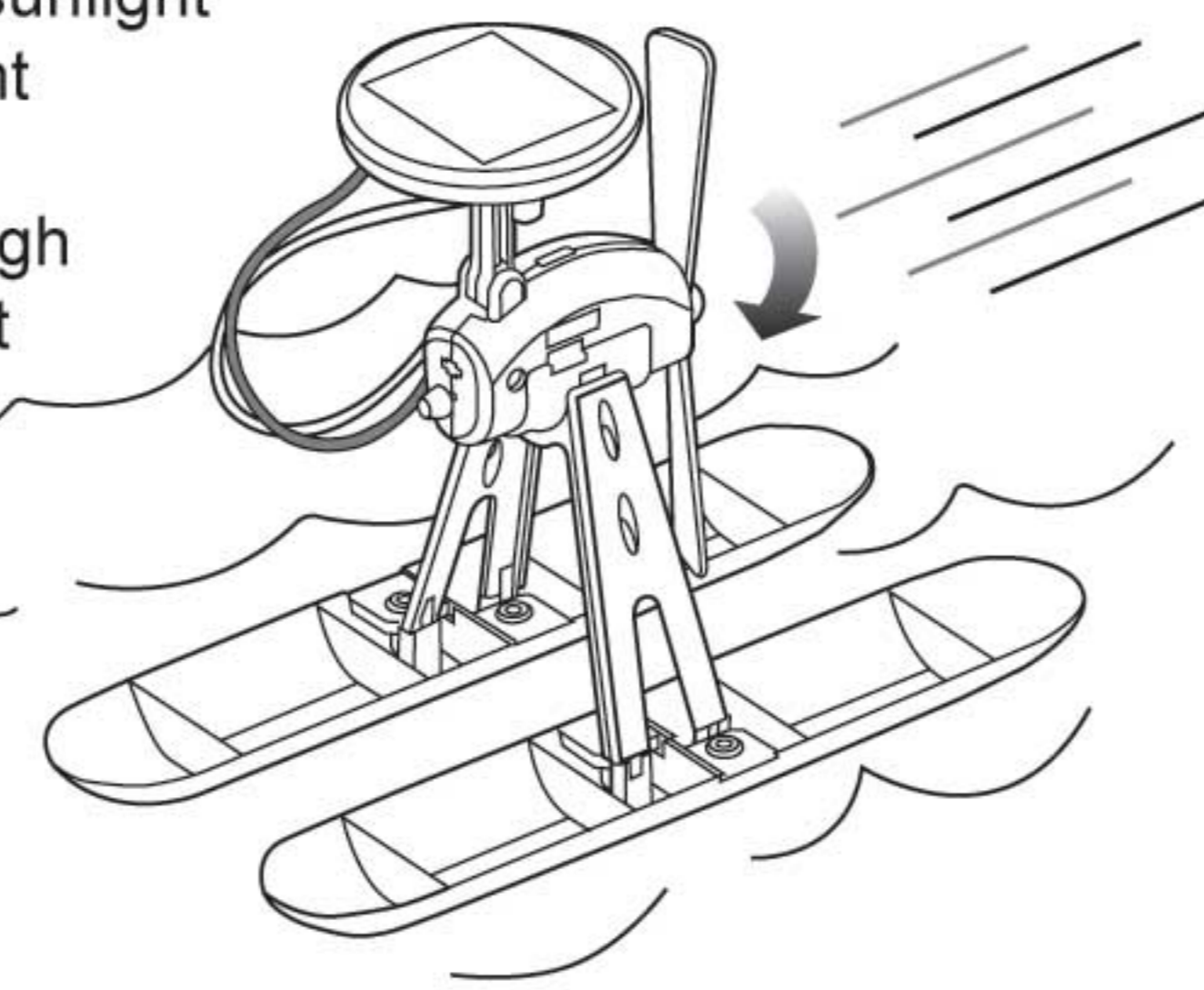
STEP

4

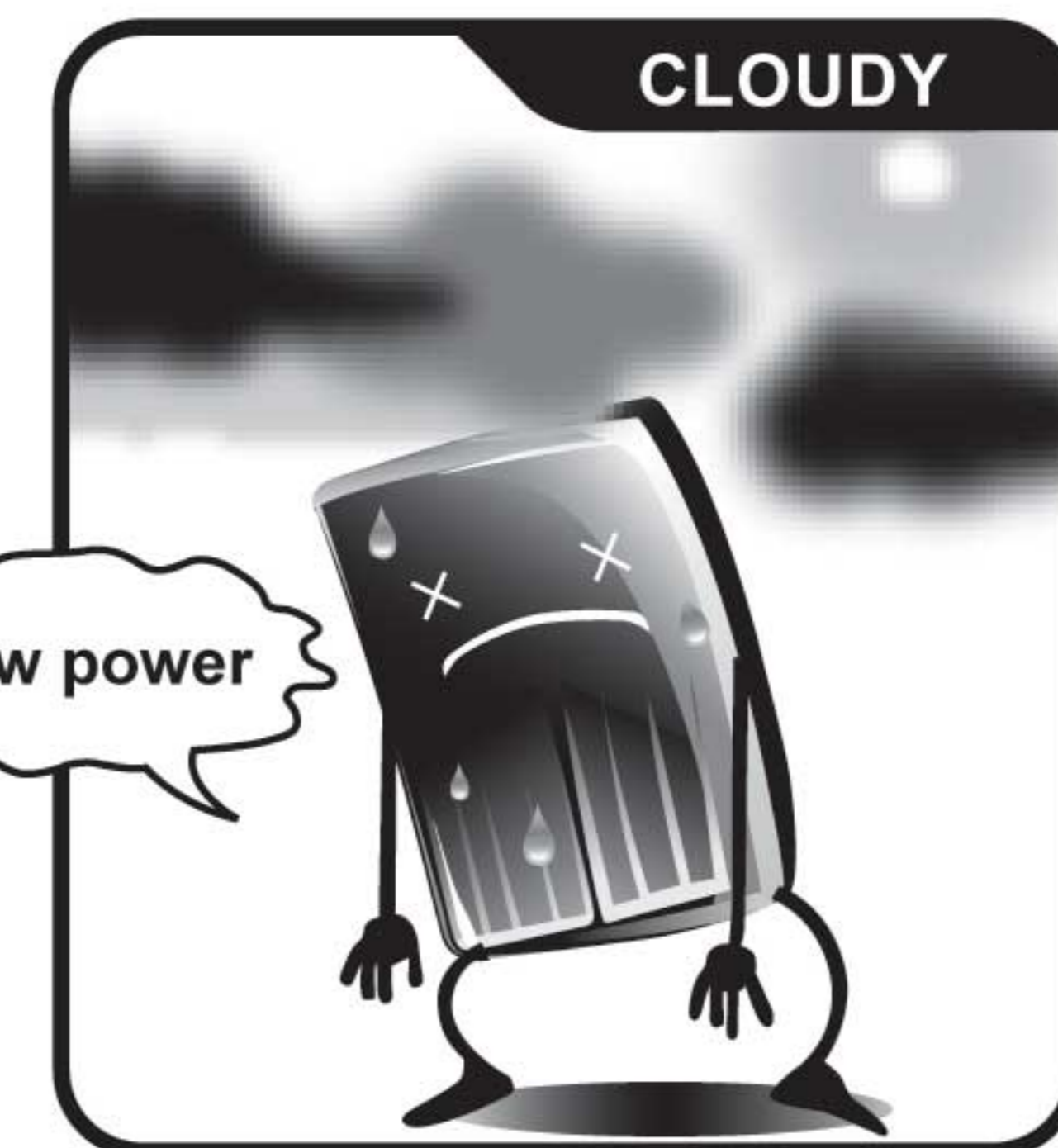
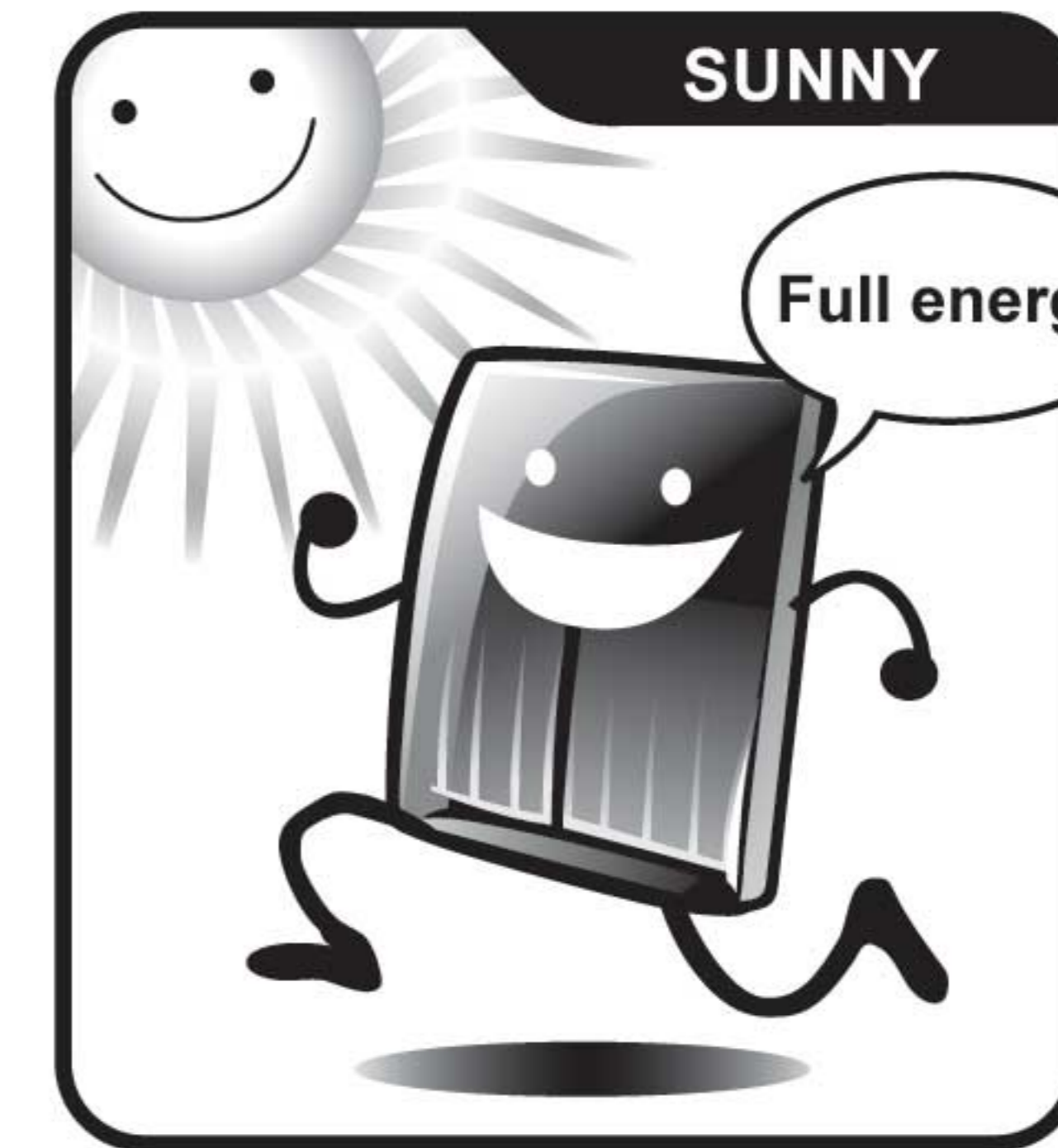
Finished Product !

WARNING!

Do not leave in bright sunlight for an extended amount of time. This unit is powered by solar, though leaving unit where heat collects over time may damage some components.



It's time to have some FUN !



1. Take outside under direct sunlight. Best results are obtained when operated on sunny day.
2. For indoor fun, use a 50 watt halogen light. The product will not run on a cloudy day, shaded locations, indirect sunlight, or under a fluorescent light.