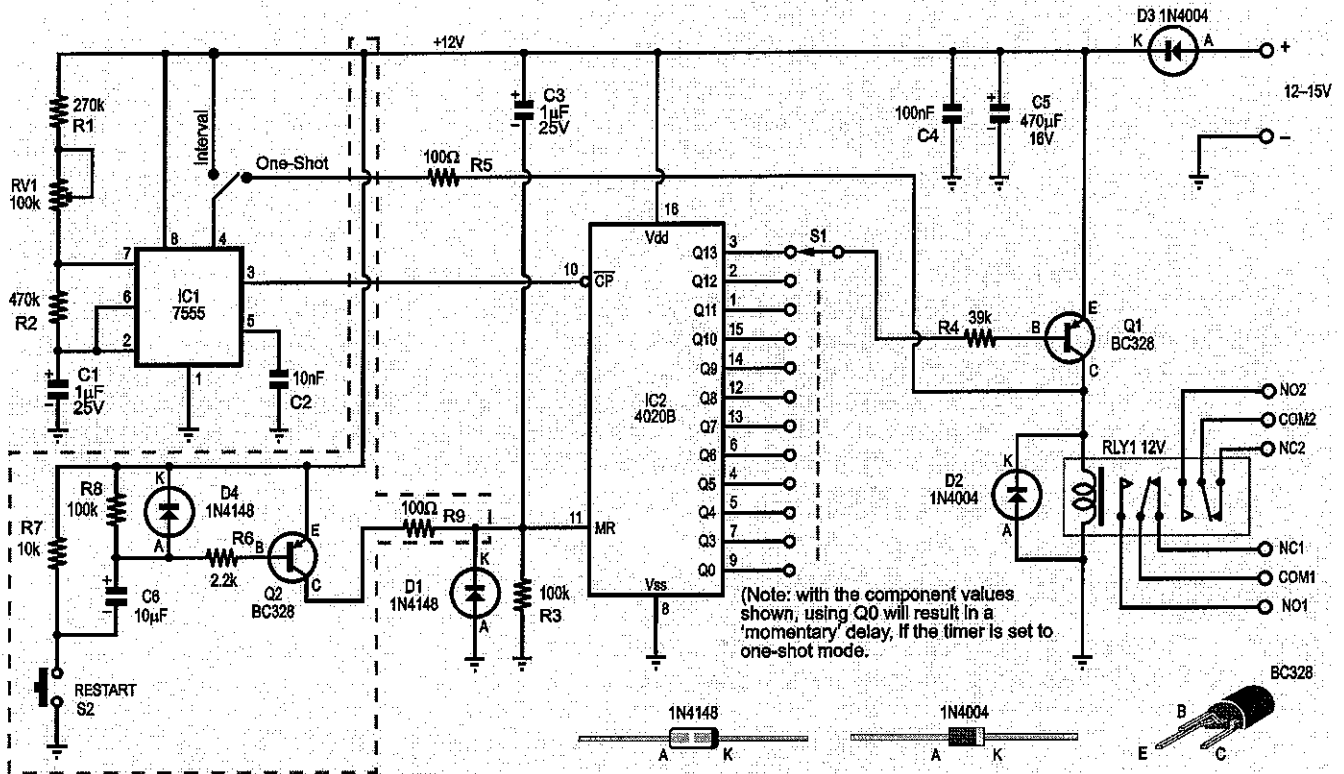
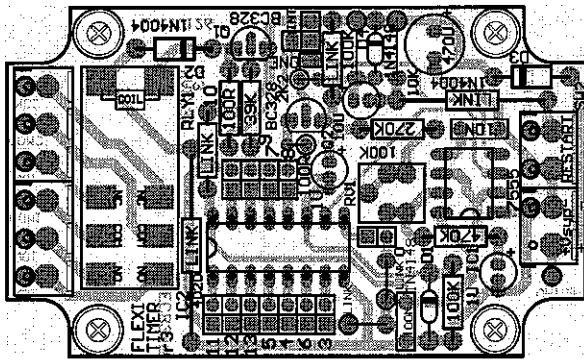


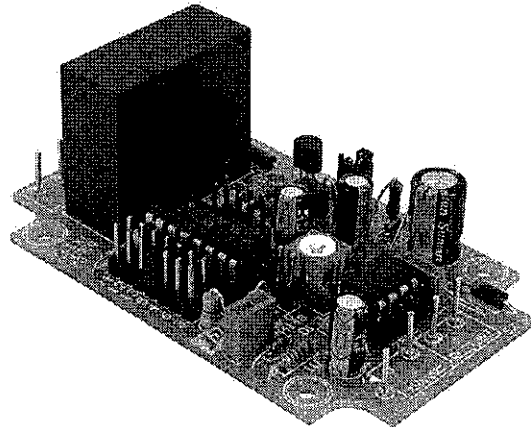
Flexi / Interval Timer - 3rd Revision



The schematic for the Flexi/Interval Timer. It uses only two ICs - a trusty 555/7555 as the timing clock, driving a 4020 multi-stage binary counter. Transistor Q1 drives the output relay.



PCB Overlay



Assembled Project