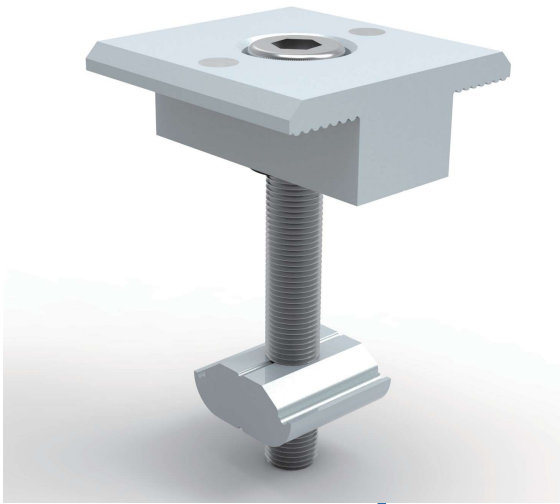


HS8805 MID CLAMP DATA SHEET



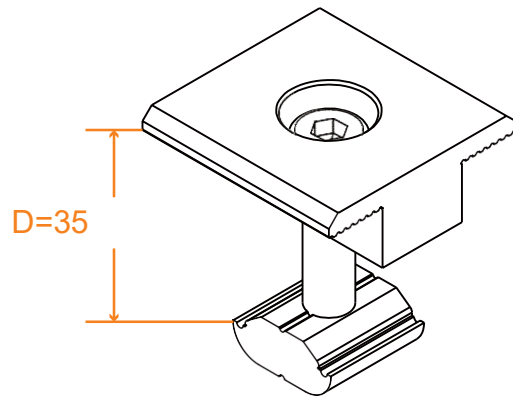
Mid clamps is designed base on 7R rail to fix module between two module, 30mm to 55mm thickness module are available.

PRODUCT LINE

| | |
|-----------|--------------------|
| Item | Product Name |
| CK-FTM-35 | Fix Mid Clamp 35mm |

PRODUCT LINE

| | |
|----------------|------------|
| Main Material | AL 6005-T5 |
| Tighten torque | 15N.m |
| Safe torque | 20N.m |



ADVANTAGES

- Easy installation
- High class anodized
- Tilt- in nut

COMPONENT LIST

| MATERIAL | QTY |
|----------------|-----|
| Mid Clamp | 01 |
| SUS304 Bolt M8 | 01 |
| 057 Alu Nut | 01 |

WARRANTY



ORDERING SPECIFICS

| | |
|--------------------|------------------------|
| Standard Packaging | 100 PCS/BOX 400PCS/CTN |
| Dimensions | 51X38X22CM |
| Weight | 26.8/27.5/28/28.6KG |