

HS8804 END CLAMP DATA SHEET



End clamps is designed base on 7R rail to fix module on the end of rail, 30mm to 55mm thickness module are available.

ADVANTAGES

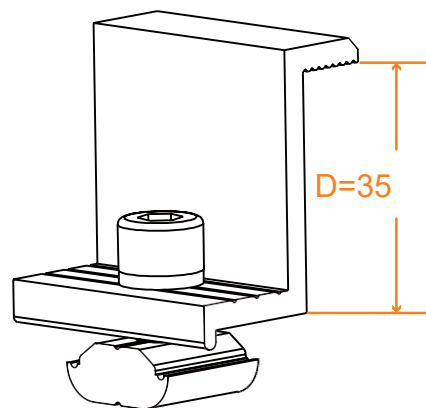
- Easy installation
- High class anodized
- Tilt- in nut

PRODUCT LINE

Item	Product Name
CK-FTE-35	Fix End Clamp 35mm

PRODUCT LINE

Main Material	AL 6005-T5
Tighten torque	15N.m
Safe torque	20N.m



COMPONENT LIST

MATERIAL	QTY
End Clamp	01
SUS304 Bolt M8*25	01
SUS304 WasherM8	01
057 Alu Nut	01

WARRANTY



ORDERING SPECIFICS

Standard Packaging	100 PCS/BOX 400PCS/CTN
Dimensions	51X38X22CM
Weight	22/24.5/25.5/26KG