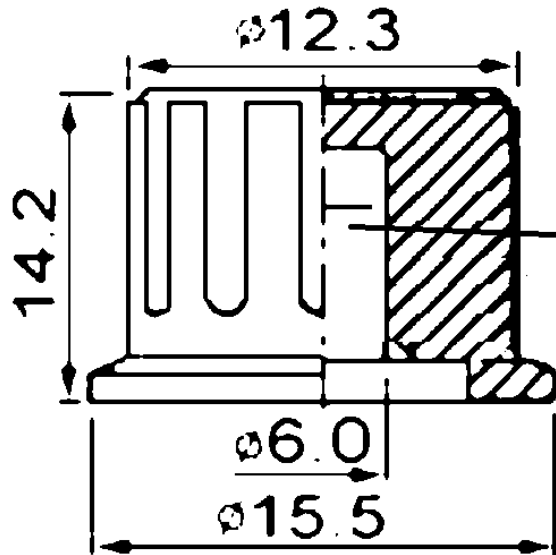


Knobs for 18 tooth splined shaft

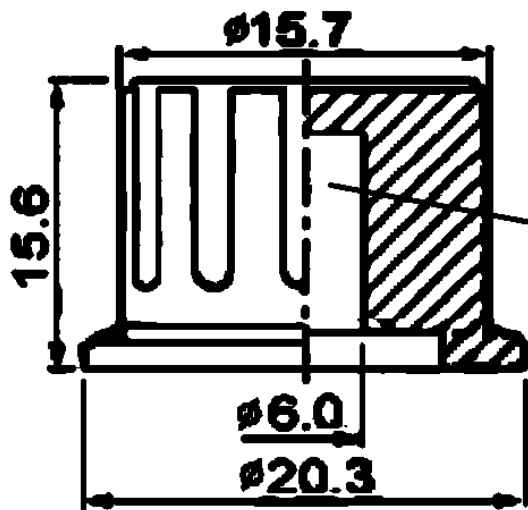
Material: Bakelite

HK7770



Inner bore to suit 6mm 18 tooth splined shaft

HK7772



Inner bore to suit 6mm 18 tooth splined shaft