



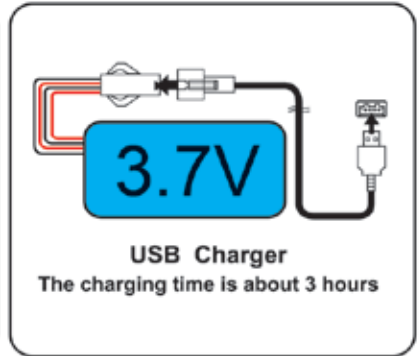
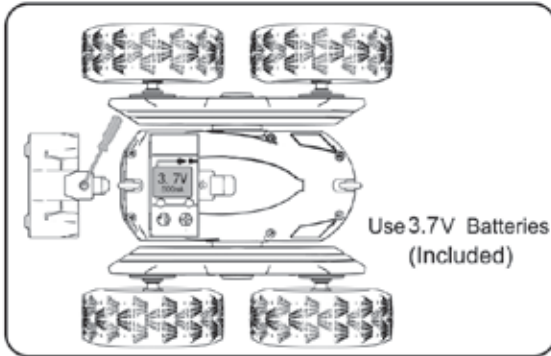
AGE:6+

USER MANUAL

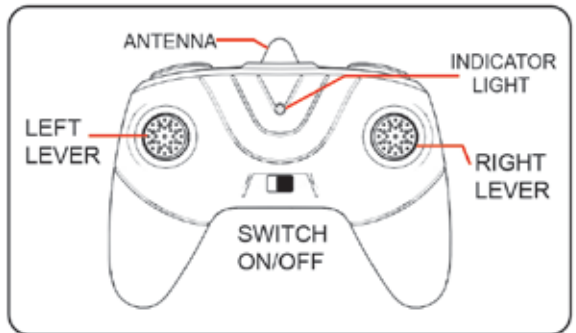
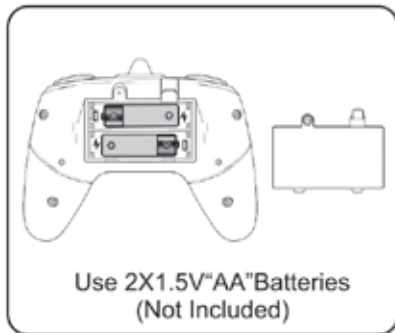


-
- Non-rechargeable battery is not to be recharged.
 - Only batteries of the same or equivalent type as recommended are to be used.
 - Batteries are to be inserted with the correct polarity.
 - Exhausted batteries are to be removed from the toy.
 - The supply terminals are not to be short-circuited.
 - Do not mix old and new batteries.
 - Do not mix alkaline, standard (carbon zinc) or rechargeable (nickel cadmium) batteries.
 - Please take out batteries when not in use.
 - Keep this package for reference since it contains important information.

R/C Battery Install & Charge



Remote Control



Specifications

Frequency: 2.4GHz

Remote Control Range: 50m

Play Time: Up to 18 Minutes

Charging Time: Up to 90 Minutes

Batteries:

Car: 3.7V Li-ion, 500mA (Included)

Remote: 2 x AA (Not Included)

Dimensions: 170(L) x 160(W) x 75(H)mm

Warranty Information

Our product is guaranteed to be free from manufacturing defects for a period of 12 Months.

If your product becomes defective during this period, Electus Distribution will repair, replace, or refund where a product is faulty; or not fit for intended purpose.

This warranty will not cover modified product; misuse or abuse of the product contrary to user instructions or packaging label; change of mind and normal wear and tear.

Our goods come with guarantees that cannot be excluded under the Australian Consumer Law. You are entitled to a replacement or refund for a major failure and for compensation for any other reasonably foreseeable loss or damage. You are also entitled to have the goods repaired or replaced if the goods fail to be of acceptable quality and failure does not amount to a major failure.

To claim warranty, please contact the place of purchase. You will need to show receipt or other proof of purchase. Additional information may be required to process your claim.

Any expenses relating to the return of your product to the store will normally have to be paid by you.

The benefits to the customer given by this warranty are in addition to other rights and remedies of the Australian Consumer Law in relation to the goods or services to which this warranty relates.

This warranty is provided by: Electus Distribution

Address 46 Eastern Creek Drive, Eastern Creek NSW 2766 | Ph. 1300 738 555