

GT4262

# 1:12 R/C Rock Crawler with Sideways Drift

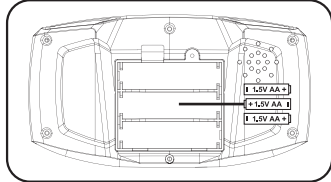
## User Manual

### 1. INSTALLATION & CHARGING

#### (1) THE REMOTE CONTROL REQUIRES 3 X 1.5V AA BATTERIES

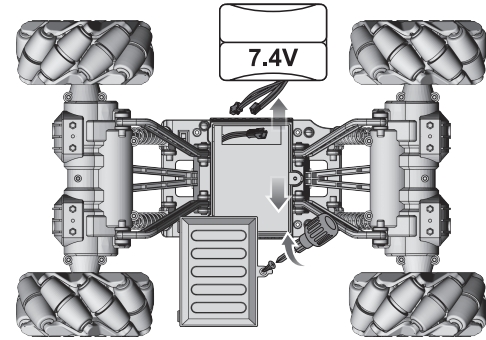
##### BATTERY INSTALLATION:

- USE A PHILLIPS SCREWDRIVER TO LOOSEN THE SCREWS ON THE BATTERY DOOR.
- LOAD A NEW 1.5V AA BATTERY BY PRESSING THE "+" AND "-" IN THE BATTERY COMPARTMENT CORRESPONDING TO THE "+" AND "-" OF THE BATTERY.
- COVER THE BATTERY COVER AND TIGHTEN THE SCREWS.

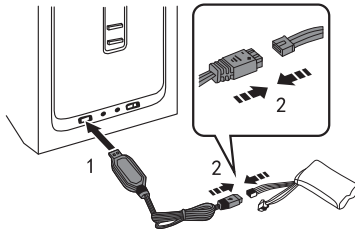


#### (2) USB CHARGING CABLE CHARGING METHOD

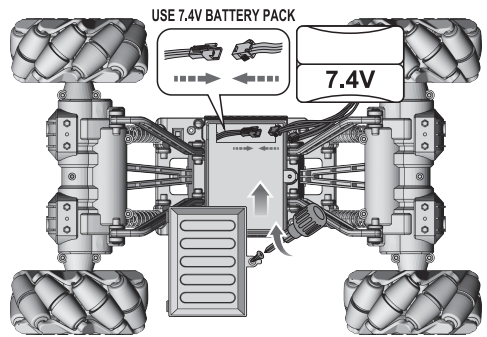
A) AS SHOWN IN THE FIGURE, REMOVE THE RECHARGEABLE BATTERY FROM THE STUNT CAR.



B) FIRST PLUG THE USB PORT INTO THE COMPUTER'S USB PORT, THE USB RED CHARGING INDICATOR LIGHTS UP, THEN PLUG THE LITHIUM BATTERY INTO THE USB CHARGING PLUG, THE USB GREEN CHARGING INDICATOR FLASHES; AFTER ABOUT 360 MINUTES OF FULL CHARGE, THE USB GREEN CHARGING INDICATOR LIGHTS UP, CHARGING IS COMPLETE, 5 AFTER A MINUTE, IT CAN BE USED NORMALLY. DO NOT OVER CHARGE THE BATTERY IT MAY CAUSE DAMAGE TO THE CHARGER AND BATTERY.



C) ASSEMBLE THE BATTERY INTO THE BATTERY COMPARTMENT WITH THE CORRECT ELECTRODE AND COVER THE BATTERY COVER.



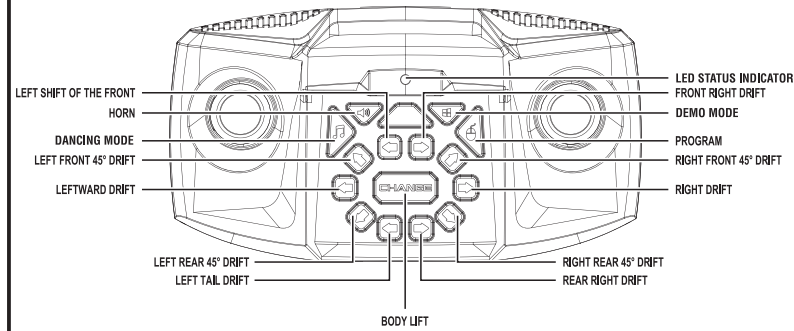
### 2. BATTERY SAFETY INSTRUCTIONS

- BATTERY TYPE: THE PRODUCT USES 7.4V 1200 MA RECHARGEABLE BATTERY PACK; THE REMOTE CONTROL IS SUITABLE FOR 3 1.5V NON-RECHARGEABLE BATTERIES;
- REMOVE AND PLACE THE BATTERY IN THE CORRECT WAY;
- NON-RECHARGEABLE BATTERIES CANNOT BE CHARGED;
- DIFFERENT TYPES OF BATTERIES OR OLD AND NEW BATTERIES CANNOT BE MIXED;
- BATTERIES OF THE SAME MODEL OR EQUIVALENT TO THE RECOMMENDED MODELS CAN BE USED TOGETHER;
- THE BATTERY IS PLACED IN THE CORRECT POLARITY;
- THE EXHAUSTED BATTERY SHOULD BE TAKEN OUT OF THE TOY;
- THE RECHARGEABLE BATTERY CAN ONLY BE CHARGED UNDER THE SUPERVISION OF AN ADULT;
- THE RECHARGEABLE BATTERY SHOULD BE TAKEN OUT OF THE TOY BEFORE CHARGING;
- THE POWER TERMINALS MUST NOT BE SHORTED.

### ATTENTION:

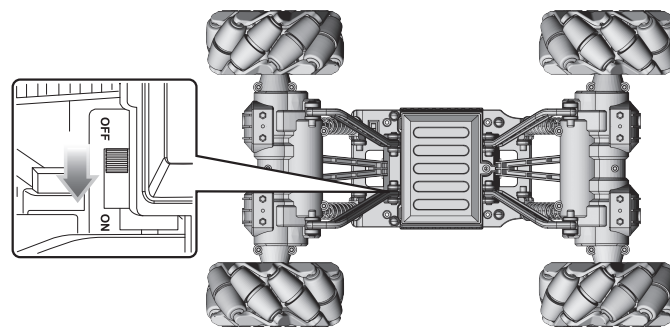
WHEN NOT PLAYING, PUSH THE STUNT CAR POWER SWITCH TO THE "OFF" POSITION AND REMOVE THE BATTERY TO AVOID AFFECTING THE LIFE OF THE RECHARGEABLE BATTERY.

### 3. REMOTE CONTROL DIAGRAM



### 4. OPERATION

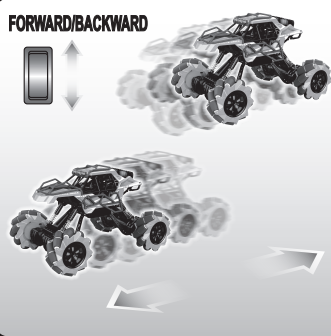
TURN ON THE POWER: TURN THE REMOTE CONTROL CAR POWER SWITCH TO THE "ON" POSITION, THEN TURN ON THE POWER, THE REMOTE CONTROL OPERATION INDICATOR IS OFF, AND THE FREQUENCY IS SUCCESSFUL. REMOTE CONTROL DISTANCE: THE REMOTE CONTROL DISTANCE IS UP TO 40M. THE PLAY TIME IS UP TO 30 MINUTES.



ATTENTION: WHEN THE REMOTE CONTROL CANNOT CONTROL THE REMOTE CONTROL CAR, FIRST REMOVE THE REMOTE CONTROL BATTERY AND RE-INSTALL THE BATTERY, THEN TURN OFF THE REMOTE CONTROL CAR POWER, THEN TURN ON THE POWER, AND THEN PULL THE REMOTE CONTROL LEVER TO RE-ALIGN THE FREQUENCY.

#### 1. FORWARD/BACKWARD

PUSH THE RIGHT LEVER UP/BACK TO PUSH THE REMOTE CONTROL FORWARD/BACKWARD; ALWAYS TURN THE RIGHT LEVER PUSHING UP/BACKING UP, THE REMOTE CONTROL CAR GOES FORWARD/BACKWARD.



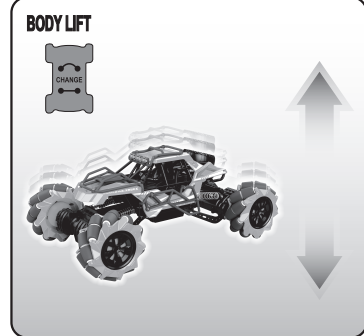
#### 2. TURN LEFT/TURN RIGHT

PUSH THE LEFT LEVER TO THE LEFT/RIGHT AND THE LEFT AND RIGHT TURN OF THE REMOTE CONTROL; KEEP THE LEFT LEVER PUSH LEFT/RIGHT AND THE REMOTE CONTROL CAR WILL TURN LEFT/RIGHT.



#### 3. BODY LIFT

PRESS "CHANGE", THE BODY LIFT FUNCTION BUTTON, THE REMOTE CONTROL CAR BODY IS LOWERED; PRESS AGAIN, THE REMOTE CONTROL CAR BODY WILL RETURN TO NORMAL.



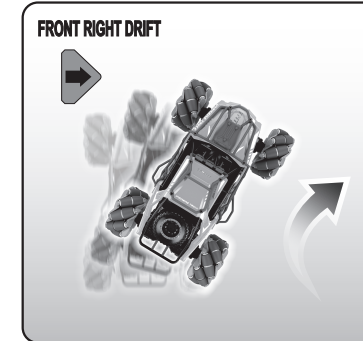
#### 4. LEFT SHIFT OF THE FRONT

PRESS THE "FRONT LEFT DRIFT" BUTTON, THE REMOTE CONTROL CAR HEAD DRIFTS TO THE LEFT; PRESS THE "FRONT LEFT" "DRIFT" BUTTON, THE REMOTE CONTROL CAR HAS ALWAYS DRIFTED LEFT.



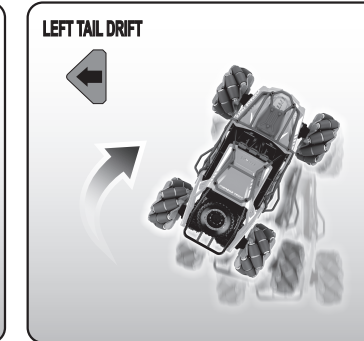
#### 5. FRONT RIGHT DRIFT

PRESS THE "FRONT WHEEL DRIFT" BUTTON, THE REMOTE CONTROL CAR HEAD DRIFTS TO THE RIGHT; PRESS THE "FRONT RIGHT" "DRIFT" BUTTON, THE REMOTE CONTROL CAR HAS ALWAYS DRIFTED RIGHT.



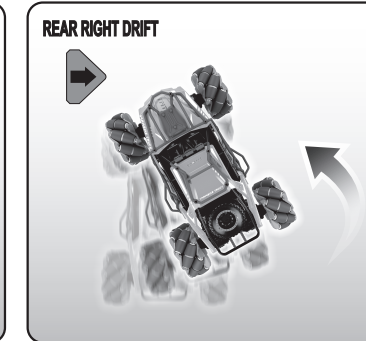
#### 6. LEFT TAIL DRIFT

PRESS THE "TAIL LEFT SHIFT" BUTTON, THE TAIL OF THE REMOTE CONTROL CAR WILL DRIFT TO THE LEFT; PRESS THE "TAIL LEFT" "DRIFT" BUTTON, THE REMOTE CONTROL CAR HAS BEEN DRIFTING LEFT AND RIGHT.



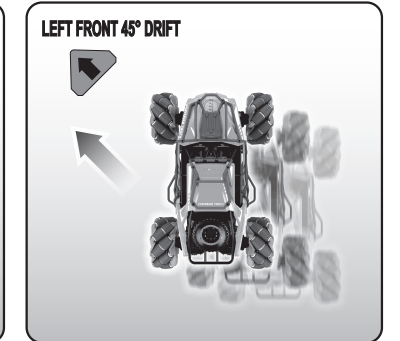
#### 7. REAR RIGHT DRIFT

PRESS THE "WHEEL RIGHT DRIFT" BUTTON, THE REMOTE CONTROL CAR TAIL DRIFTS TO THE RIGHT; PRESS THE "TAIL RIGHT" "DRIFT" BUTTON, THE REMOTE CONTROL CAR HAS BEEN DRIFTING RIGHT AT THE END OF THE CAR.



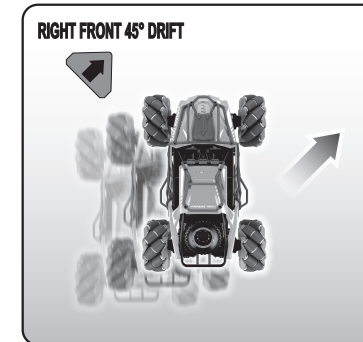
#### 8. LEFT FRONT 45° DRIFT

PRESS THE "LEFT FRONT 45° DRIFT" BUTTON, THE REMOTE CONTROL CAR WILL DRIFT TO THE LEFT 45°; PRESS "LEFT" "THE FRONT 45° DRIFT" BUTTON, THE REMOTE CONTROL CAR HAS BEEN DRIFTING 45° TO THE LEFT.



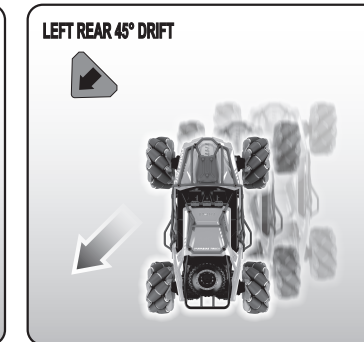
#### 9. RIGHT FRONT 45° DRIFT

PRESS THE "FRONT FRONT 45° DRIFT" BUTTON, THE REMOTE CONTROL CAR WILL DRIFT 45° TO THE RIGHT; PRESS "RIGHT" "THE FRONT 45° DRIFT" BUTTON, THE REMOTE CONTROL CAR HAS BEEN DRIFTING 45° TO THE FRONT.



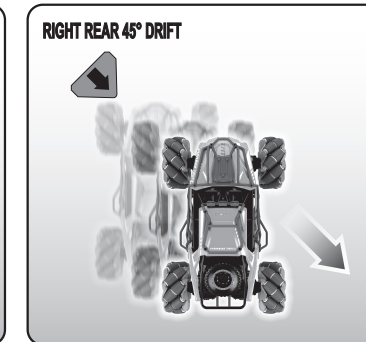
#### 10. LEFT REAR 45° DRIFT

PRESS THE "LEFT REAR 45° DRIFT" BUTTON, THE REMOTE CONTROL CAR DRIFTS TO THE LEFT REAR 45°; PRESS THE "LEFT REAR 45° DRIFT" BUTTON, THE REMOTE CONTROL CAR HAS BEEN DRIFTING TO THE LEFT REAR 45°.



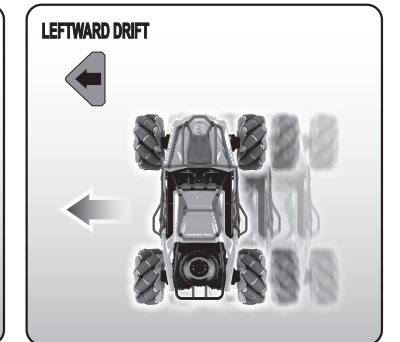
#### 11. RIGHT REAR 45° DRIFT

PRESS THE "RIGHT 45° DRIFT" BUTTON, THE REMOTE CONTROL CAR WILL DRIFT TO THE RIGHT REAR 45°; PRESS THE "RIGHT REAR 45° DRIFT" BUTTON, THE REMOTE CONTROL CAR WILL DRIFT TO THE RIGHT REAR 45°.



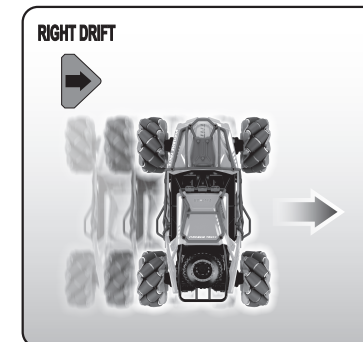
#### 12. LEFTWARD DRIFT

PRESS THE "LEFT DRIFT" BUTTON, THE REMOTE CONTROL CAR WILL DRIFT TO THE LEFT; PRESS THE "LEFT AND BACK DRIFT" BUTTON, THE REMOTE CONTROL CAR WILL DRIFT TO THE LEFT.



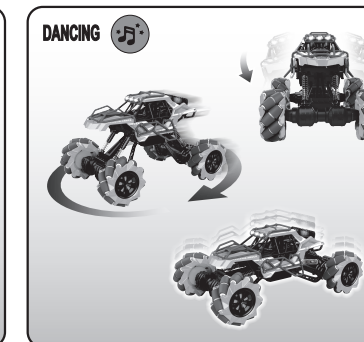
#### 13. RIGHT DRIFT

PRESS THE "RIGHT DRIFT" BUTTON, THE REMOTE CONTROL CAR WILL DRIFT TO THE RIGHT; PRESS THE "RIGHT REAR DRIFT" BUTTON, THE REMOTE CONTROL CAR WILL DRIFT TO THE RIGHT.



#### 14. DANCING

PRESS THE "DANCE" BUTTON, THE MUSIC WILL SOUND AND THE REMOTE CONTROL CAR WILL START TO DANCE AUTOMATICALLY; PRESS ONE AGAIN UNDER THE "DANCING" BUTTON, THE REMOTE CONTROL CAR SWITCHES TO THE NEXT SONG, A TOTAL OF 3 SONGS.



#### 15. HORN

PRESS THE "HORN" BUTTON AND THE REMOTE CONTROL CAR WILL MAKE A CAR HORN.

#### 16. PROGRAM

PRESS THE "PROGRAM" BUTTON, THE REMOTE CONTROL CAR WILL EMIT A TONE, WHICH CAN BE "FORWARD, BACKWARD, LEFT TURN, RIGHT TURN, LEFT SHIFT OF THE FRONT, RIGHT SHIFT OF THE FRONT, 45° LEFT FRONT, 45° RIGHT FRONT, LEFT DIRECTION" ON THE REMOTE CONTROL. DRIFT, RIGHT DRIFT, LEFT REAR 45° DRIFT, RIGHT REAR 45° DRIFT, REAR LEFT DRIFT, REAR RIGHT DRIFT, BODY LIFT BUTTON, AS COMMAND INPUT, UP TO 16 COMMANDS CAN BE ENTERED, AUTOMATICALLY AFTER THE ACTION IS FULL ENTER TO PERFORM PROGRAMMING.

#### 17. EXECUTION PROGRAMMING

PRESS THE "EXECUTE PROGRAMMING" BUTTON AND THE REMOTE CONTROL CAR PERFORMS THE PROGRAMMING ACTION.

### 5. PROBLEM SOLVING GUIDE

PROBLEM	REASON	SOLUTION
REMOTE CONTROL CANNOT BE CONTROLLED	1. THE BATTERY IS NOT PROPERLY PLACED IN ACCORDANCE WITH THE ELECTRODE.	1. CHECK AND MAKE SURE THE BATTERY IS PLACED IN ACCORDANCE WITH THE POSITIVE AND NEGATIVE TERMINALS INDICATED ON THE BATTERY BOX.
	2. THE BATTERY IS LOW.	2. REPLACE THE BATTERY WITH A NEW ONE.
	3. EXCEEDED THE CONTROL DISTANCE.	3. CONTROL THE REMOTE CONTROL DISTANCE WITHIN 30 METERS AND ALIGN THE REMOTE CONTROL WITH THE REMOTE CONTROL CAR.
	4. THERE IS NO CROSSOVER BETWEEN THE REMOTE CONTROL AND THE REMOTE CONTROL CAR.	4. FIRST REMOVE THE REMOTE CONTROL BATTERY AND RE-INSTALL THE BATTERY, THEN TURN OFF THE POWER OF THE REMOTE CONTROL CAR, THEN TURN ON THE POWER, AND THEN PULL THE REMOTE CONTROL LEVER TO RE-ALIGN THE FREQUENCY.
REMOTE CONTROL CAR CAN NOT BE CONTROLLED	1. ON/OFF IN THE "OFF" POSITION.	1. PRESS THE ON/OFF BUTTON TO THE "ON" POSITION.
	2. THE REMOTE CONTROL CAR AND RECHARGEABLE BATTERY PACK ARE NOT CONNECTED CORRECTLY ACCORDING TO THE ELECTRODES.	2. CHECK AND MAKE SURE THE RECHARGEABLE BATTERY PACK AND REMOTE CONTROL CAR ARE CONNECTED CORRECTLY.
	3. THE BATTERY IS LOW.	3. RECHARGE THE RECHARGEABLE BATTERY PACK OR REPLACE THE FULLY CHARGED RECHARGEABLE BATTERY PACK.
	4. THE REMOTE CONTROL CAR IS UNCLEAR AND THE LIGHTS ON THE BODY ARE DIM.	4. RECHARGE THE RECHARGEABLE BATTERY PACK OR REPLACE THE FULLY CHARGED RECHARGEABLE BATTERY PACK.
	5. THERE IS NO CROSSOVER BETWEEN THE REMOTE CONTROL AND THE REMOTE CONTROL CAR.	5. FIRST REMOVE THE REMOTE CONTROL BATTERY AND RE-INSTALL THE BATTERY, THEN TURN OFF THE POWER OF THE REMOTE CONTROL CAR, THEN TURN ON THE POWER, AND THEN PULL THE REMOTE CONTROL LEVER TO RE-ALIGN THE FREQUENCY.

ATTENTION: THE INCLUSION OF SMALL PARTS IS A CHOKING HAZARD AND IS NOT SUITABLE FOR CHILDREN UNDER 3 YEARS OF AGE. ADULTS MUST BE PRESENT FOR MONITORING AND GUIDANCE. THIS MANUAL HAS IMPORTANT INFORMATION AND CANNOT BE DISCARDED FOR INQUIRIES.