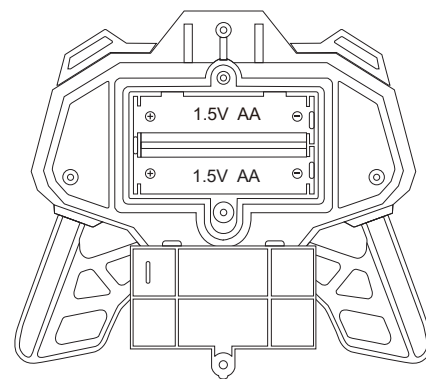
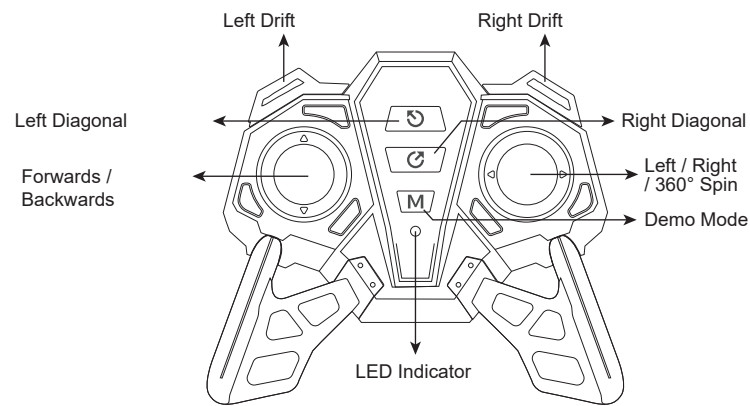


R/C Stunt Car with Sideways Drift User Manual

Remote Control:

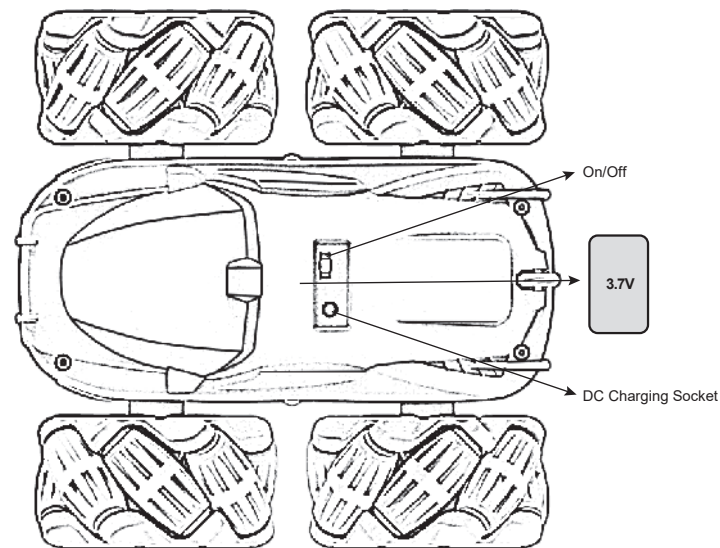


Requires 2 x AA Batteries

Operation:

1. Press the power switch located on the bottom side of the car.
2. Turn the remote control on.
3. You can now start driving the car.

Note: If the remote control can't control the car or the car is acting unresponsive. Ensure that the car has been charged and the remote control batteries are new.



Specifications:

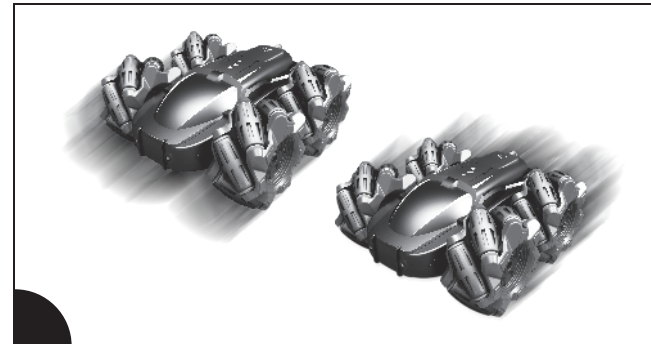
Frequency: 2.4GHz Digital
Remote Control Range: Up to 30m
Play Time: Up to 10 Minutes
Charge Time: Up to 2-3 Hours
Batteries:

Car: 1 x 3.7V, Li-po, 500mA (Included)
Remote: 2 x AA (Not Included)

Function:

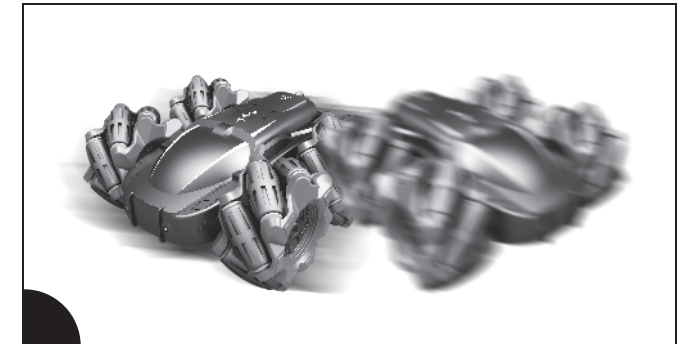
Forward/Backwards

Press the "Forwards/Backwards" button to control the stunt car either forwards or backwards.



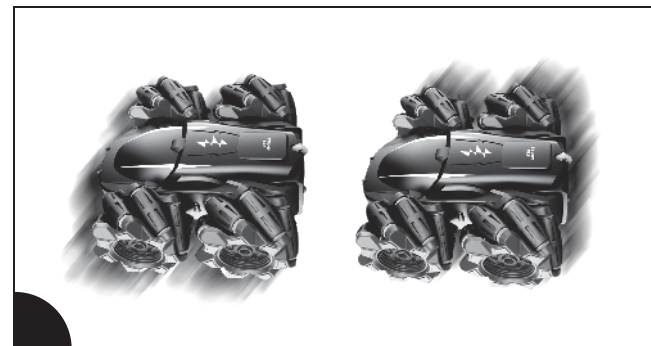
Left/Right/360° Spin

Press the left or right button to control the car to turn left or right; continue to press the button in one direction and the car will do a 360° spin.



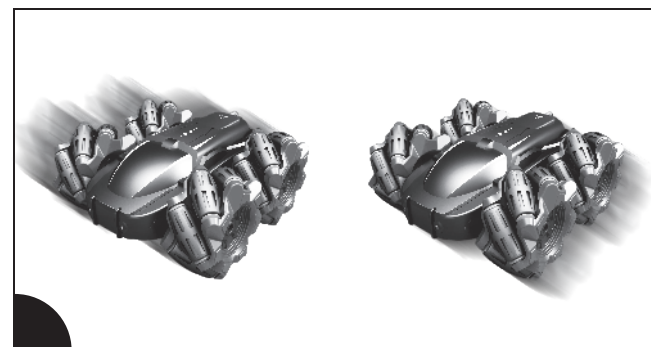
Left Diagonal/ Right Diagonal

Press the left or right diagonal drift button for the car to turn diagonally right or left.



Left Drift /Right Drift

Press the left or right drift button for the car to drift sideways left or right.



Demo Mode

Press the "demo mode" button to demonstrate the car in automatic mode.

