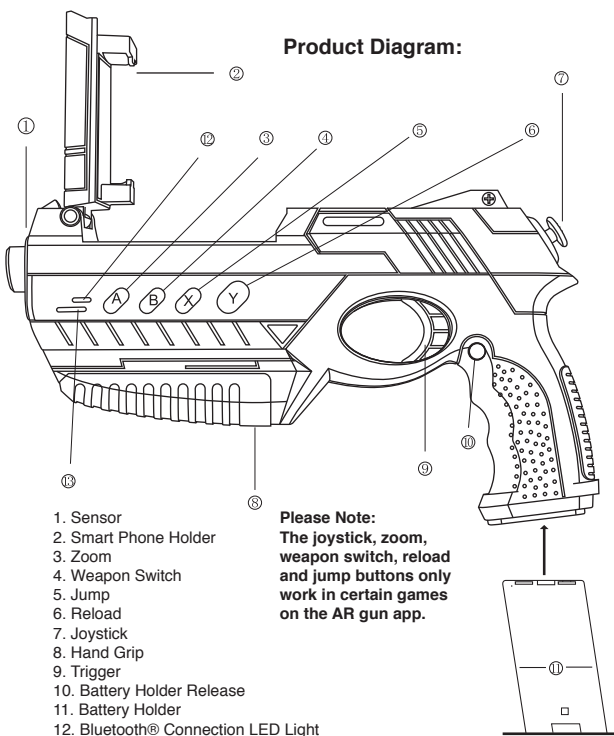


AR Gun GT3065 User Manual

Product Diagram:



1. Sensor
2. Smart Phone Holder
3. Zoom
4. Weapon Switch
5. Jump
6. Reload
7. Joystick
8. Hand Grip
9. Trigger
10. Battery Holder Release
11. Battery Holder
12. Bluetooth® Connection LED Light
13. Status LED Light

Please Note:
The joystick, zoom, weapon switch, reload and jump buttons only work in certain games on the AR gun app.

Specifications:

Compatibility: iOS™ 8.1.1+ (Requires 6-Axis Gyro)
Android 4.3+ (Requires 6-Axis Gyro)

Bluetooth® Version: 4.0

Play Time: Up to 2 Hours

Batteries: 2 x AA (Not Included)

Dimensions: 252(L) x 148(H) x 38(W)mm

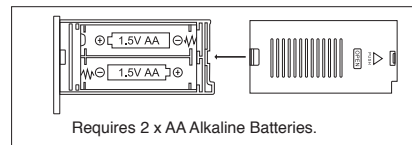
Operation:

1. Download the iOS™ or Android app

App Name: AR Gun



2. Insert 2 x AA batteries (not included) into the battery holder of the AR gun.



3. Press the trigger to power on the AR gun, you will see the LED light flashing blue.

4. Open the AR Gun app on your smartphone and it will automatically pair with the gun.

5. Once the AR gun is connected, the LED will turn off. You can now scroll through and play each of the games.

Note: If the gun is not connected, press the trigger again until you see the blue lights flashing as it may be in standby mode.

Distributed by:
TechBrands by Electus Distribution Pty. Ltd.
320 Victoria Rd, Rydalmere
NSW 2116 Australia
Ph: 1300 738 555
Int'l: +61 2 8832 3200
Fax: 1300 738 500
www.techbrands.com

Made in China