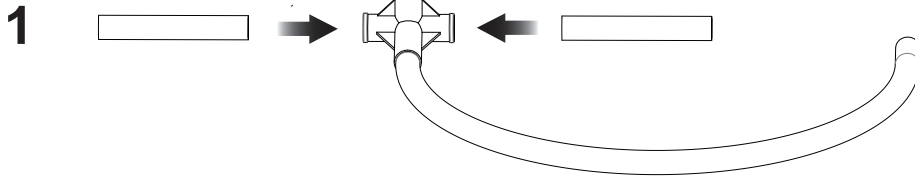
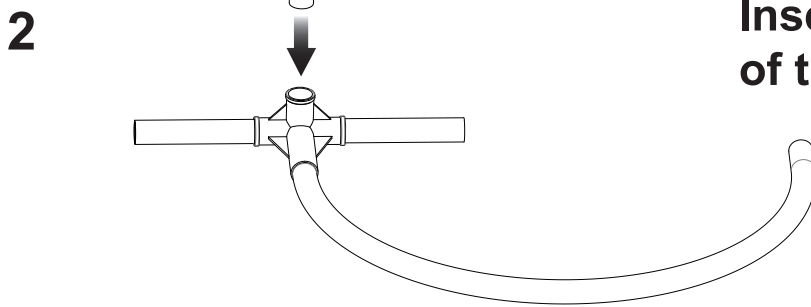


# Air Powered Rocket Launcher with LED Rockets

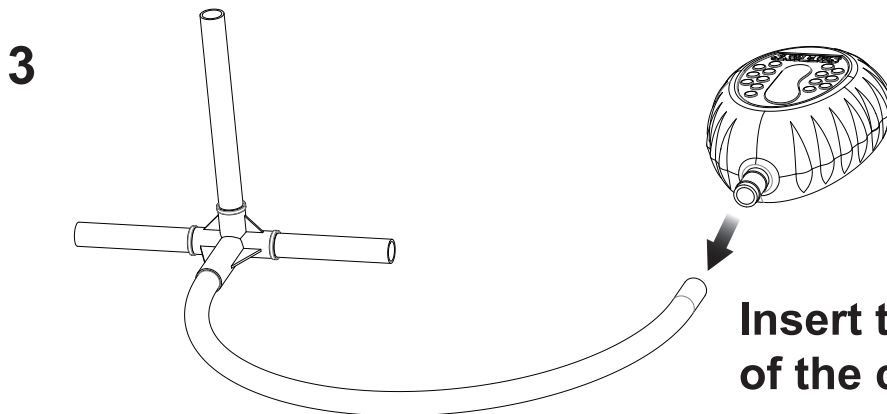
## LAUNCH PAD ASSEMBLY



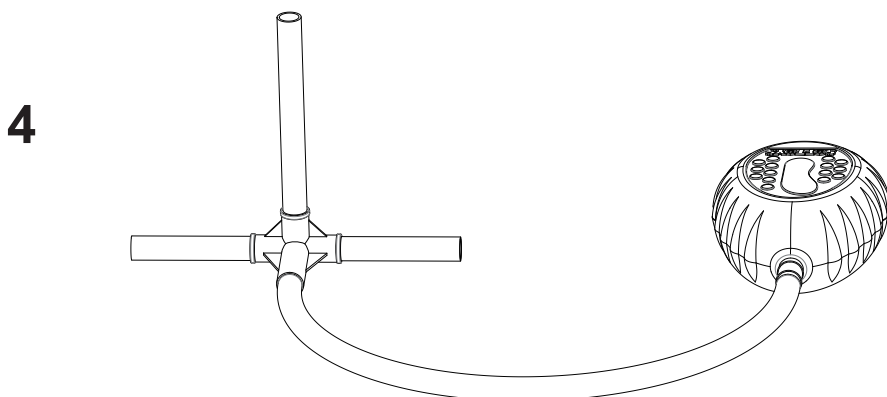
Insert 2 short tubes to the right and left side of the T connector



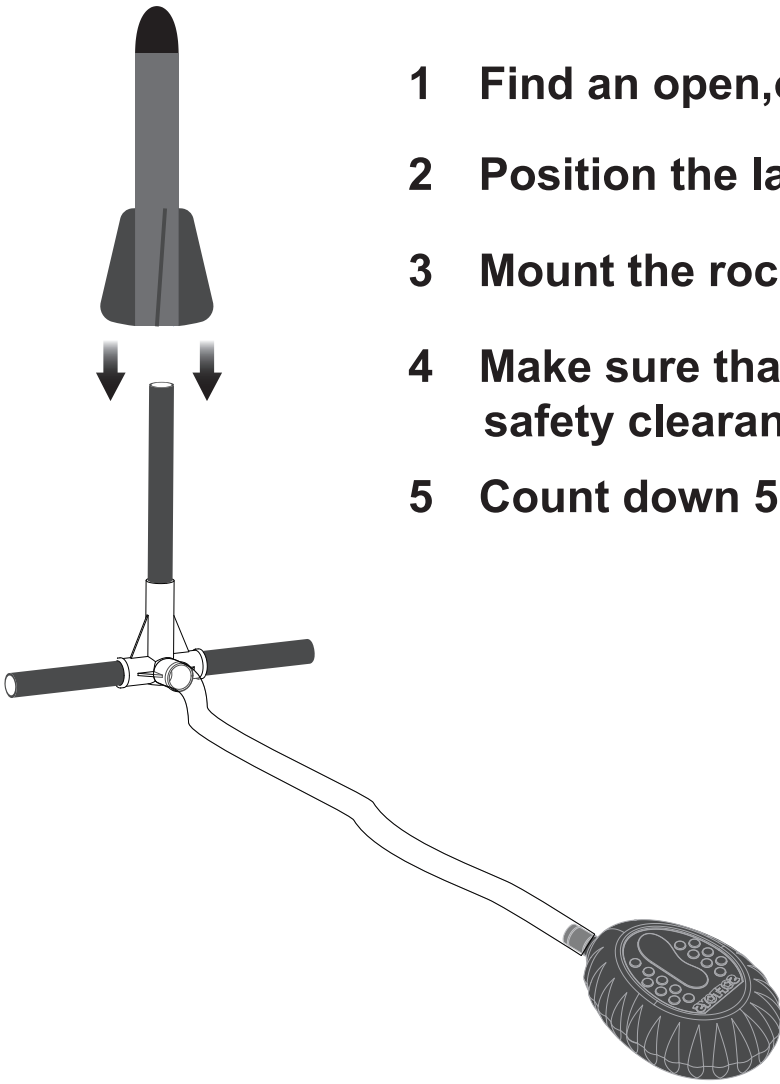
Insert the long tube to the top of the connector



Insert the pump to the tube of the connector



## PREPARING FOR TAKE OFF



- 1 Find an open,obstacle-free area.
- 2 Position the launching pad on the ground.
- 3 Mount the rocket on the launching tube.
- 4 Make sure that all observers maintain the safety clearance.
- 5 Count down 5...4...3...2...1...Take-off!



### Step On Pump

Make sure that all observers maintain the safety clearance.

**WARNING! Do not aim in face or eyes.**



**WARNING – KEEP BUTTON BATTERIES OUT OF REACH OF CHILDREN**

Distributed by:  
Electus Distribution Pty Ltd  
46 Eastern Creek Dr,  
Eastern Creek NSW 2766 Australia  
Ph 1300 738 555  
Int'l +61 2 8832 3200  
Fax 1300 738 500

[www.electusdistribution.com.au](http://www.electusdistribution.com.au)

- If swallowed a lithium button battery may lead to serious or fatal injury in as little as 2 hours, due to chemical burns and potential perforation of the oesophagus
- All button batteries must be kept away from children regardless if they are new or used.
- If you suspect your child has swallowed or inserted a button battery immediately call the 24-hour Poisons Information Centre on 13 11 26 (Australia) or 0800 764 766 (New Zealand) for fast, expert advice.
- If your child is having difficulty breathing contact 000 (Australia) or 111 (New Zealand).
- Dispose of used button batteries immediately and safely out of the reach of children. A battery can still be dangerous even when it can no longer operate the device.
- As soon as you have finished using a button battery, put sticky tape around both sides of it. This will make it harder for children to swallow the button battery and avoid the risk of the battery catching fire.
- Immediately dispose of button batteries immediately out of reach of children, or recycle using a child resistant container and take used cells to your local battery collection centre.