

**42L**  
**Portable Dual Zone Fridge/Freezer**  
**in Aluminium Check Plate Finish**  
**GH-2076**  
**User Manual**



## FEATURES

- Check plate finish
- Dual zone - Fridge / Freezer options
- Handle and wheels for easy portability
- App control via Bluetooth
- DC power connection
- AC to DC mains adapter included
- Digital temperature display with adjustable control
- LED internal light for easy finding of food in the dark
- 3-stage low voltage battery protection

## BOX CONTENTS

- 1 x Portable Fridge/Freezer
- 1 x 12/24V Car Cigarette Power Lead
- 1 x 240VAC to 12VDC power adapter

## SPECIFICATIONS

Input Voltage:	12/24VDC
Average Power Consumption:	60W
Power Consumption:	0.25kw.h/24hr
Rated Current:	5A/ 2.5A
Temperature Range:	-20°C to +20°C (with ambient temperature at 25°C)
Refrigerant:	R134a
Insulation:	100% CFC & HFC free PU Foam insulation
Dimensions (W*H*D):	885*403*432mm
Net Weight:	23.5kg

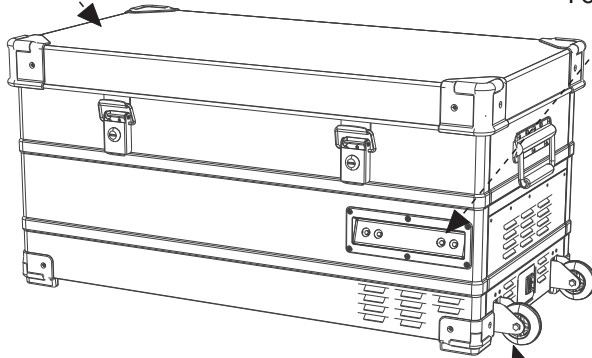
# PRODUCT BENEFITS

## Rugged Design

Withstands 135kg at the top of the cooler

## LCD Display

Touch control panel

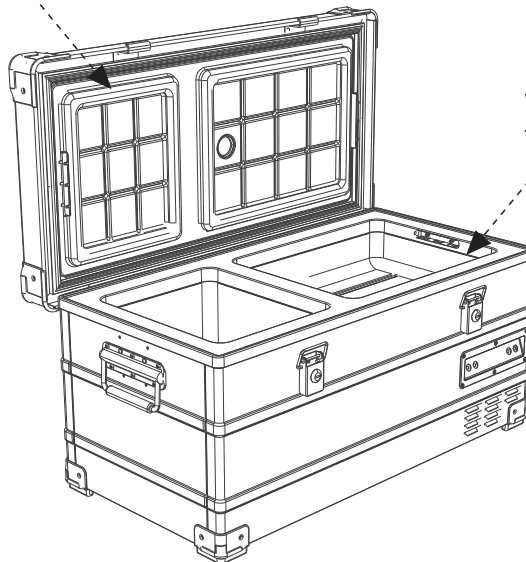


## Heavy Aluminium Lid

Ensures lid closed tightly and fridge stays insulated

## Wheels

Easy to transport



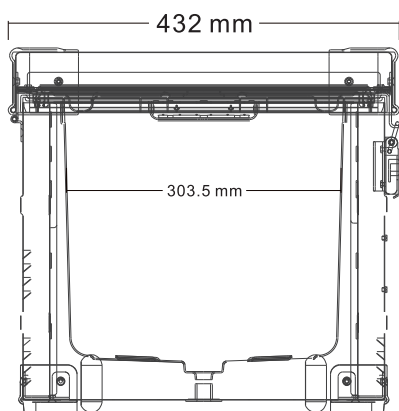
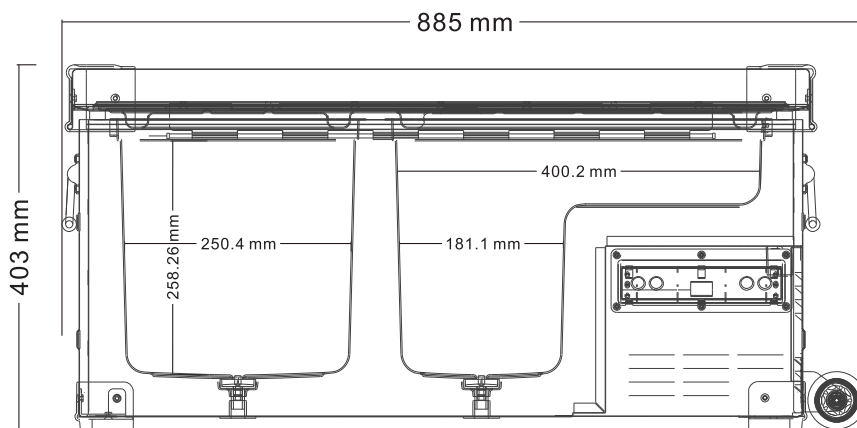
## Dual Zone

With individual temperature control

## SAFETY

- The installation of DC power sources in a boat must be handled by a qualified electrician
- Make sure to connect power to the suitable voltage socket
- No electrical devices are to be used inside the product
- The product can be powered on only after being unpacked and put on a flat level surface for over 6 hours
- Fridge operating angle:- The fridge can be operated indefinitely at up to 5 degrees, and can be operated at between 6 and 45 degrees for up to 30mins.
- Product must be well ventilated. Ensure there is a minimum of 200mm clearance at the back, and 100mm around the sides
- The product should be in a well-ventilated space, away from heat sources. Try to avoid direct exposure to sunlight
- Keep product stable
- When there is water inside the tank, do not turn the product upside down to empty. Dry the water, do not soak in water
- Do not put metal in the air inlet vent, outlet vent, or gap
- Do not connect to other power except 12V/24VDC, or the 240VAC to 12VDC adapter.
- Do not soak the product in water or wash with water
- The product should not be repaired. If there is any issues please consult the place of purchase
- Turn off the product before cleaning to avoid electric shocks or other issues
- Keep product away from wet or humid places

# DIMENSIONS



**GH-2076**

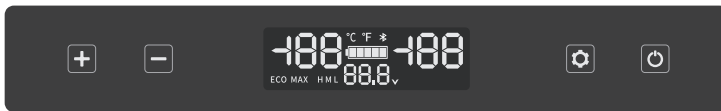
# OPERATION

- **Display Screen Initialization:** Connecting with electricity, the buzzer rings and the display screen lights up for 2 seconds, being into normal operation mode.










- **Power Supply:** Can be connected with DC 12/24V or AC 100~240V (with adapter).
- **Power On/Off:** Press the button " ⏻ " to turn the unit on/off.
- **Temperature Setting:** Press the button " + " or " - " until the figure on the screen begins flashing, then you can adjust the temperature by " + " or " - ". If you stop holding the button for 4 seconds, the setting will be finished and the setting temperature will be saved. (Note: the displayed temperature is the current temperature of chambers. If set temperature is much higher or lower than original temperature, displayed screen would not present the set temperature immediately until chambers reach the set temperature.)
- **Cooling Mode Control:** Press the button " ⚙️ " to select cooling mode. You can switch mode between MAX (Quick cooling mode) and ECO (Economical mode).
- **Battery Protection Mode:** Hold the button " ⚙️ " over 3 seconds, the LCD screen will flash, then you can select L(Low), M (Medium), H (High) mode for your battery protection. The default setting is H mode. When the fridge is powered by car battery, it is recommended to set H mode. When the fridge is powered by built-in battery or portable battery, it is advised to set M or L protection mode. The reason is that various cars have different output voltage. If battery protection occurs (screen displays F1), the protection mode should be adjusted from H to M or L. When the engine is switched off, the fridge is still able to work. Protection mode should be set to H to prevent car battery from exhaustion.

- **Temperature Unit Setting:** press " ⏻ " switch off the fridge, then press " ⚙️ " over 3 seconds until E1 shows on the screen. Press " ⚙️ " from E1, E2.....switching to E5. When the screen flashes, press " + " or " - " to change the unit between Centigrade (°C) and Fahrenheit (°F).
- **Reset:** Power off the fridge, holding the setting button " ⚙️ " until E1 is displayed on the screen. Hold the button " + " and " - " until the screen lights up as follow:





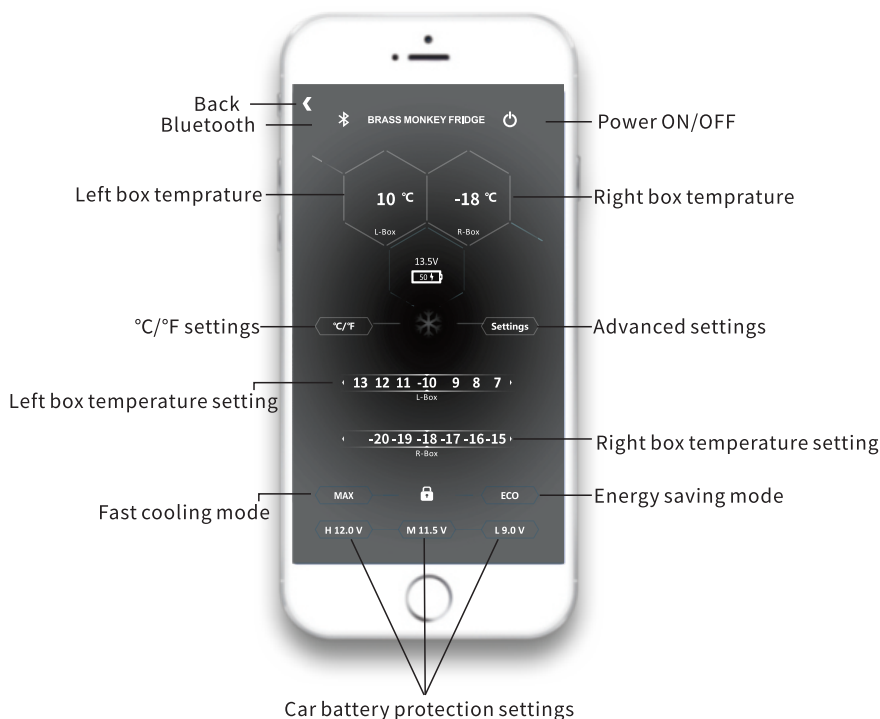
## Recommended temperature for common food:

						
Drinks	Fruits	Vegetable	Delicatessen	Wine	Ice cream	Meat
5°C/41°F	5~8°C/41~46°F	3~10°C/37~50°F	4°C/39°F	10°C/50°F	-10°C/14°F	-18°C/0°F

## SMART CONTROL FRIDGE APP APPLICATION INSTRUCTION

Search for the " Brass Monkey FRIDGE " application in the iTunes App store (for Apple devices) or Google store (Android Devices).

- Connect the fridge to power and switch it on using the control panel.
- Start the application and select the "Search" function.
- The application will prompt you to pair the fridge by pressing the set button  on the fridge's control panel, Once set button  has been activated, the fridge will be paired with your smart device and the application will switch to a control panel allowing you to control the fridge's functions.



Please scan the QR code to download APP

QR Code for Apple Devices



QR Code for Android Devices





## CLEANING & MAINTENANCE

### **Cleaning:**

- Unplug the device first to avoid electric shock.
- Use wet cloth to clean the device and dry it.
- Do not soak the device in water and do not wash it directly.
- Do not use abrasive cleaning agents as these can damage the device.

### **Storage:**

If the device will not be in use for a long time, please follow the steps:

- Turn off the power and remove the plug.
- Remove all the items stored in the device.
- Wipe off excess water from the fridge with a soft rag.
- Put the device in a cool and dry place.
- Leave the door slightly open to prevent odors from forming.

### **Defrosting:**

Humidity can form frost in the interior of the cooling device or on the evaporator.

This reduces the cooling capacity. Defrost the device in good time to avoid this.

- Switch off the device.
- Take out the contents of the device.
- Keep the door open.
- Wipe off the defrosted water.



**Never use hard or sharp tools to remove ice or to loosen objects which have frozen in place.**

# TROUBLESHOOTING

- The product is not working:
  - If using the 240VAC to 12VDC adapter (sold separately) check the power supply is working
  - If using the DC cable please ensure the cable still works.
  - Check the power supply is working
  - Check if the plug and socket are connected
  - Check the fuse
  - Check power switch on control panel is on
  - Compressor starts delay protection for 3 minutes after turning on
- Food inside the product is frozen:
  - Temperature is set too low
- Water flowing sound inside the tank:
  - Refrigerant is flowing, this is normal
- Water drops around the case or door gap:
  - When moisture in the air meets the lower temperature case, it will naturally become liquefied and condensed. Wipe away with a towel or soft cloth
- Code F1 displayed:
  - Low voltage protection, which can be solved by setting the battery protection button from H to M or from M to L
- Code F2 displayed:
  - Fan overload protection. Please turn off the product and restart it after 30 minutes. If the code displays again, please contact the place of purchase
- Code F3 displayed:
  - Compressor frequent start protection. Please turn off the product and restart it after 30 minutes. If the code displays again, please contact the place of purchase
- Code F4 displayed:
  - Compressor is overloaded or working at a low speed. Please turn off the product and restart it after 30 minutes. If the code displays again, please contact the place of purchase

- Code F5 displayed:
  - High temperature compressor module protection. Please move the product to a ventilated area and turn it off for 30 minutes then restart it. If the code displays again, please contact the place of purchase
- Code F6 displayed:
  - No parameter can be detected by the controller. Please restart the product. If the code displays again, please contact the place of purchase
- Code F7 / F8 displayed:
  - Temperature sensor error protection. Please check the sensor terminal

The warranty for this product is 3 years from date of purchase. During the warranty period the following are excluded from coverage:

- Intentional damage
- Damage by fire, flood, etc
- Damage or malfunction caused by incorrect usage and not following this user manual
- Damage or malfunction caused by disassembling

Distributed by:

TechBrands by Electus Distribution Pty, Ltd.

320 Victoria Rd, Rydalmere, NSW 2116, Australia

Ph: 1300 738 555

Int'l: +61 2 8832 3200

Fax: 1300 738 500

[www.techbrands.com](http://www.techbrands.com)

Made in China