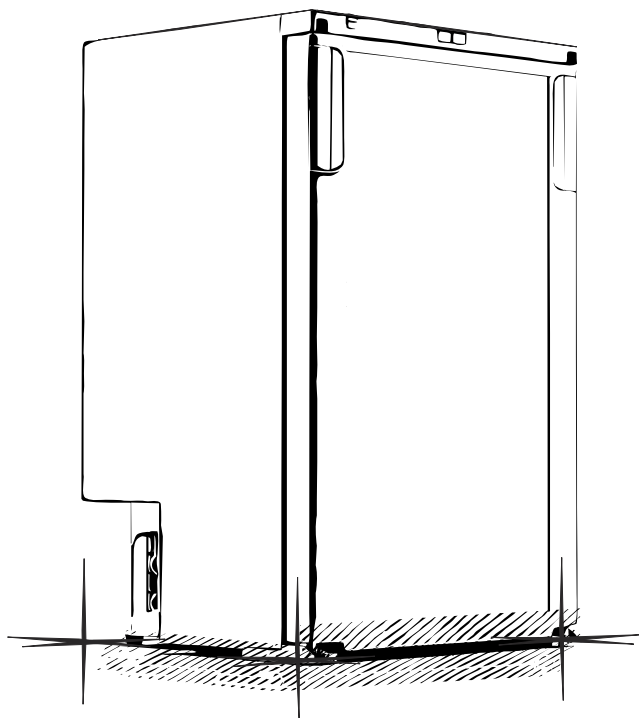


GH1678



85L

CARAVAN FRIDGE



INSTRUCTION MANUAL

CONTENTS

Warnings & Safety Information	3
Before First Use	4
Features	5
Box Contents	5
Product Diagram	5
Product Dimensions	6
Operation	7
Installation.....	8
Removing the Freezer Compartment.....	9
Door Hinge Direction	9
Door Hinge Direction	10
Troubleshooting	11
Cleaning, Care, Storage & Maintenance.....	12
Smart Control - Fridge App Instructions	13
Temperature Guide	14
Specifications	15
Warranty Information.....	16

WARNINGS & SAFETY INFORMATION

WARNING: The manufacturer is not responsible for any potential injury from misuse

Warnings

- Do not operate the appliance if it is visibly damaged.
- Do not block the gaps of the fridge with things like pins or wires, etc.
- Do not expose the appliance to rain or immerse it in water.
- Do not place the appliance near naked flames or other heat sources (heaters, direct sunlight, gas ovens etc.)
- Do not store any explosive substances like spray cans with a flammable propellant.
- Ensure the supply cord is dry and not trapped or damaged. Do not locate multiple portable socket-outlets or portable power supplies at the rear of the appliance.
- Check the voltage specification on the type plate corresponds to that of the energy supply. The appliance is only to be used with the power supply unit provided with the appliance.
- Do not use electrical appliances inside the food storage compartments of the appliance, unless they are of the type recommended by the manufacturer.
- Once unpacked and before turning on, the appliance must be placed on a level surface for more than 6 hours.
- Make sure that the appliance stays horizontally when it is running. The tilt angle must be less than 5° for long time running and be less than 45° for short time running.
- Keep the ventilation openings in the unit casing or in the built-in structure free of obstacles.
- Keep the appliance stable on the ground or in the car; Do not drain upside down.

Caution

- Repairs may only be carried out by qualified personnel. Incorrect repair may cause danger. The lamp and supply cord must be replaced by the manufacturer or qualified persons.
- The installation of DC power in a boat must be handled by qualified electricians.
- Children shall not play with the appliance. Cleaning and user maintenance shall not be made by children without supervision.
- The appliance can be used by children aged from 8 years and above and persons with reduced physical, sensory or mental capabilities or lack of experience and knowledge if they've been given supervision or instruction concerning use of the device in a safe way and understand the hazards.

Notice

- Disconnect the power supply before each cleaning and maintenance and after every use.
- Do not use sharp tools to defrost; Do not damage the refrigerant circuit.
- Risk of child entrapment. Before you throw away your old refrigerator or freezer: take off the doors: leave the shelves in place so that children may not easily climb inside.
- Check if the cooling capacity of the appliance is suitable for storing the food or medicine. Food may only be stored in its original packaging or in suitable containers.
- If the appliance is left empty for long periods, switch off, defrost, clean, dry, and leave the door open to prevent mould developing within the appliance.
- The appliance is intended to be used in household and similar applications such as:
 - Staff kitchen areas in shops, offices and other working environments;
 - Camping, Farm houses and by clients in hotels, motels and other residential environments;
 - Bed and breakfast type environments;
 - Catering and similar non-retail applications.
- Information, illustrations and specifications in this manual reflect the most current available at the time of publication, are subject to change without prior notice.
- Due to the flammable refrigerant and blowing gas contained in the device, comply with local regulations for disposal.

BEFORE FIRST USE

Prior to using your product, please read all the safety and operating instructions thoroughly. Please ensure you follow the steps below before using the product. We recommend you keep the original packaging for storing the product when not in use.

Please pay close attention to the section entitled Warnings & Safety Information. Find a safe and convenient place to keep this instruction manual for future reference.

Unpack the product but retain all packaging materials until you are satisfied that your new product is undamaged and in working order. Ensure you have all accessories listed in this manual.

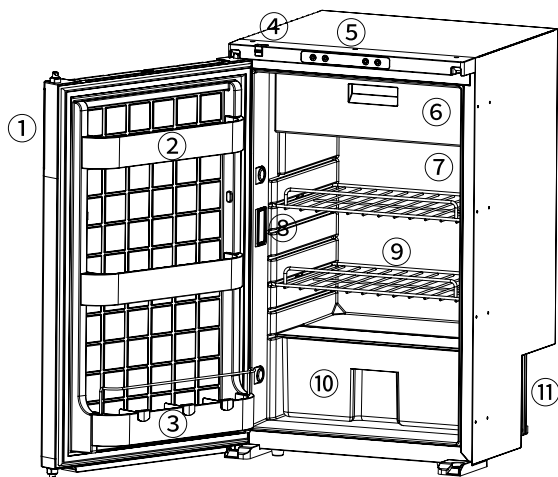
FEATURES

- DC power connection.
- Digital temperature display with adjustable control.
- App control via Bluetooth.
- Fridge door can open Bi-directionally.
- Removable freezer compartment.
- With crisper drawer, coated shelves, and internal LED light, etc.

BOX CONTENTS

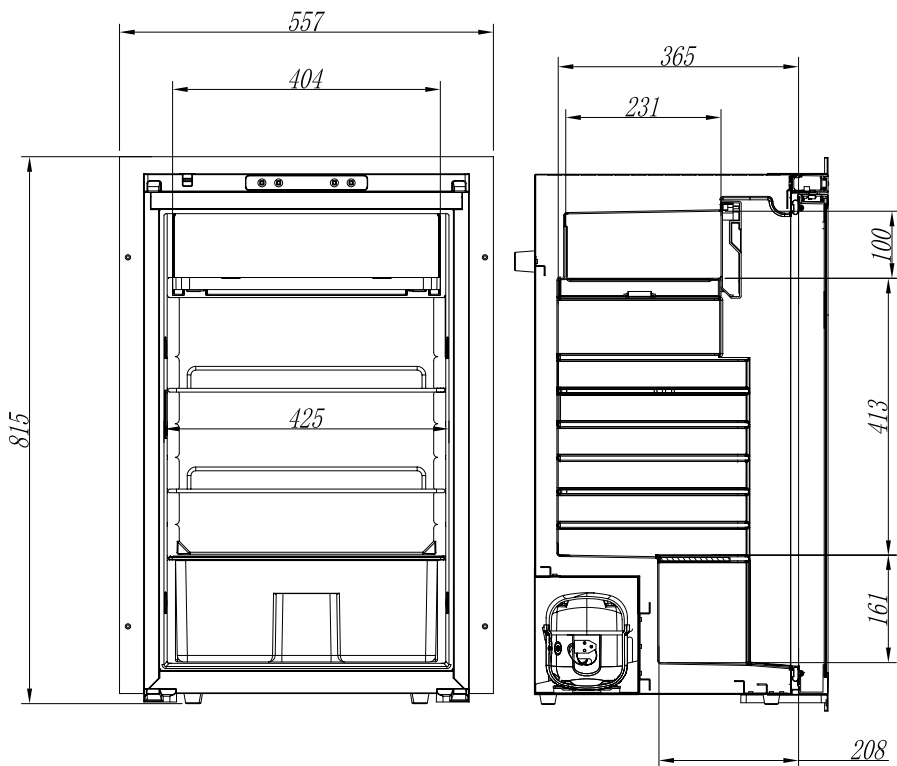
1 x 85L Caravan Fridge

PRODUCT DIAGRAM

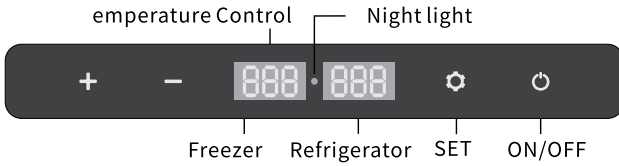


- | | | |
|-----------------|------------------------|-----------------------|
| 1. Door Latch | 5. Control Panel | 8. Internal LED Light |
| 2. Door Bin | 6. Freezer Compartment | 9. Shelf |
| 3. Door Bin | 7. Fridge Compartment | 10. Crisper Drawer |
| 4. Storage Lock | | 11. Compressor |

PRODUCT DIMENSIONS



OPERATION



Power Supply: DC 12V/24V.

Display Screen Initialization: when the fridge is powered on, the buzzer will make a long beep, and the display will be on for two seconds then enter the normal operation.

Power ON/OFF: press to switch ON/OFF.

Night mode: under running state, long press for 3 seconds to enter the night mode, the screen will turn off and the night light will be on. Short press again, The panel returns to normal display.

Temperature Setting: 1. Press "", to display 'FR' (freezer zone temperature setting) or 'RE' (refrigerator zone temperature setting).

2. Select either the fridge zone or the freezer zone temperature. You cannot select separate temperatures for each zone at the same time; you must choose which zone you want to more accurately control the temperature of. The zone not selected to control the temperature of will be then cooled as a slave zone relative to the temperature set by the other zone.

3. Presses "+" or "-" to adjust the temperature of the respective zone.

Battery Protection Mode: under the running state, long press for 3 seconds until the left screen flashes, then press again to switch High, Medium and Low (*Factory setting is Low)



From left to right: Low/Medium/High.

Voltage reference:

MODE \ INPUT	DC 12V		DC 24V	
	CUT OUT	CUT IN	CUT OUT	CUT IN
L	8.5V	10.9V	21.3V	22.7V
M	10.1V	11.4V	22.3V	23.7V
H	11.1V	12.4V	24.3V	25.7V

* the voltage is theoretical value, there may be a deviation in different sceneries.

* H should be set when the product is connected to car power, and M or L should be set when it is connected to a portable battery or other back-up battery.

Temperature Unit Setting: switch off the fridge, long press for 3 seconds until displays E1, and switch to E5 by pressing again, then press + or - to switch Celsius or Fahrenheit. (*Factory setting is °C.)

Reset: switch off the fridge, long press for 3 seconds until displays E1, under E1 mode, long press at the same time for seconds to reset the settings.

INSTALLATION

Ensure that the refrigerator is in good order and not damaged when opening the packaging for the first time.

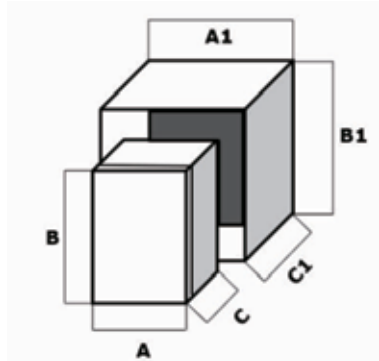
Any transportation damage must be reported promptly to the place of purchase within 24 hours of taking delivery.

Handle the product with the utmost care and attention.

1. When installing in a cavity/cabinet.

There should be enough space (75mm minimal) at the rear and top of the refrigerator to ensure adequate ventilation. There should be a minimum of 7.5mm of space on each side.

Always place the refrigerator on a flat and level surface that is adequate to support its weight. Place the refrigerator in a location away from heat sources and ensure that it has enough ventilation.



2. Connect to a power supply

Connect the refrigerator to the vehicle 12/24VDC system directly, the minimal cable cross-section as per the below table based on the overall length of wire between the refrigerator and the battery. Enough excess wire needs to be kept to allow for moving the fridge into and out of the cabinet.

Wire Length to Refrigerator	Wire Gauge
Maximum 6 m	14AWG
Maximum 11m	12AWG
Maximum 17m	10AWG

It is highly recommended that the installation fridge is carried out by a qualified person.

3. Push the refrigerator into cabinet

Push the refrigerator into the cabinet carefully to avoid scratching the floor, and that the power cable is kept loose, is not kinked or damaged.

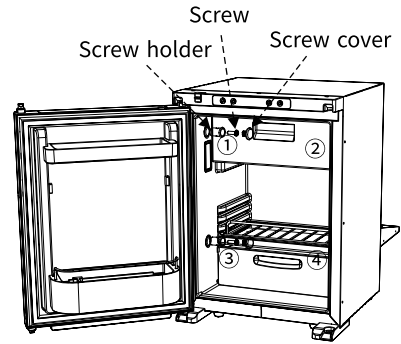
4. Mount the fridge with the cabinet wall

Mounting points (holes) are built into the side wall of the refrigerator, a hole needs to be drilled into the cabinet to line up with the mounting points on the side of the fridge.

Fix the fridge with screws (M5, 15mm minimum to the cabinet walls, then use the screw covers included to hide the screws. A total 4 screws are required (not included) for installation into a cabinet.

5. Verify the installation

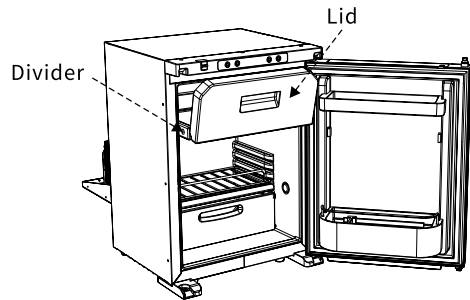
Once the installation had been finished, check the continuity of the negative circuit and carry out all electrical safety testing provided for by current regulations. Protect and fix the cables in order to prevent accidental pulling of the cable and from it disconnecting from any connections or the power source and ensure it doesn't come into contact with heat sources with a temperature of 50°C or more, or with sharp objects.



(GH1673 for example)

REMOVING THE FREEZER COMPARTMENT

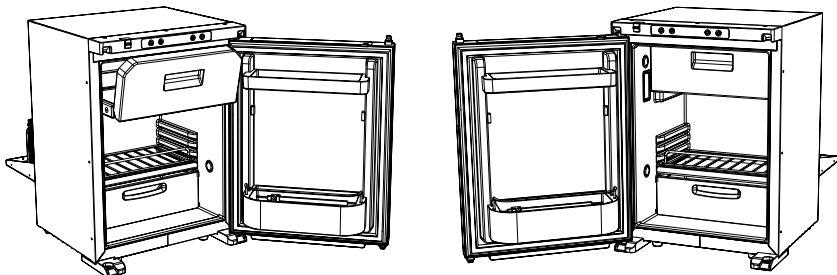
Open the lid and pull out the divider horizontally



(GH1673 for example)

DOOR HINGE DIRECTION

The fridge door can be opened bi-directionally without the use of tools to change the side it hinges from.

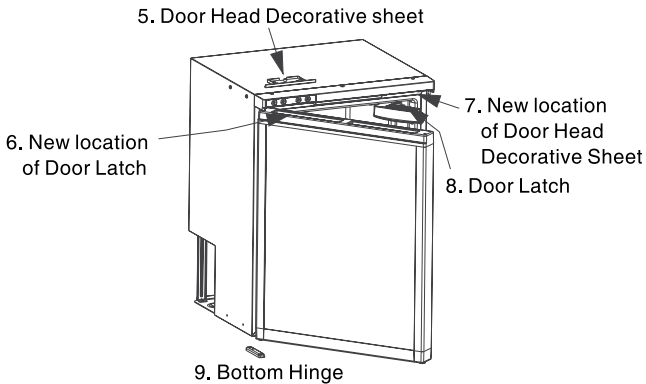
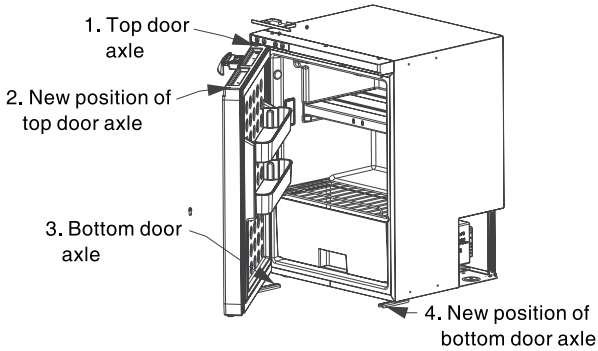


From left to right

From right to left

DOOR HINGE DIRECTION

1. Unscrew the bottom hinge (9)
2. Take off the door body (keep the fridge stable)
3. Unscrew and take off the door latch (8), install it into the new location of door latch (6)
4. Remove the door head decorative sheet (5), install it into new location of the door head decorative sheet (7).
5. Move the top door axle (1) and bottom door axle (3) to new position (2)(4)
6. Install the door to the refrigerator, fasten the top door axle with the top hinge; install the bottom hinge screws (4), fix the door with the hinge;
7. Close the door, the door opening direction is now reversed.



TROUBLESHOOTING

ISSUE	SUGGESTED REMEDY
Refrigerator does not work	<ul style="list-style-type: none"> • Check if the switch is on. • Check if the plug and socket are connected well. • Check if the fuse has been burnt. • Check if the power supply is malfunctioned. • Switch on/off the fridge frequently may cause start delay of the compressor
Refrigerator compartments are too warm	<ul style="list-style-type: none"> • The lid is opened frequently. • A large amount of warm or hot food was stored recently. • The refrigerator has been disconnected for a long time.
Food is frozen	The temperature was set too low
There is "water flow" noise from inside the refrigerator	It's a normal phenomenon, caused by the flow of refrigerant.
There are waterdrops around the refrigerator casing or door gap	It's a normal phenomenon, the moisture will condense to water when it touches a cold surface of the refrigerator.
The compressor is slightly noisy when starting	It's a normal phenomenon, the noise will be reduced after the compressor works stably.
Code F1 displayed	Possible cause: low voltage to fridge. Adjust the battery protection from High to Medium or from Medium to Low.
Code F2 displayed	Possible cause: condenser fan is overloaded. Disconnect power to fridge for 5 minutes & re-start. If the code shows again, contact manufacturer for service.
Code F3 displayed	Possible cause: the compressor starts too frequently. Disconnect power to fridge for 5 minutes & re-start. If the code shows again, contact manufacturer for service.
Code F4 displayed	Possible cause: compressor not kicking in. Disconnect power to fridge for 5 minutes & re-start. If the code shows again, contact manufacturer for service
Code F5 displayed	Possible cause: overheating of the compressor & electronics. Disconnect power to fridge for 5 minutes & re-start. If the code shows again, contact manufacturer for service.
Code F6 displayed	Possible cause: no parameter can be detected by the controller. Disconnect power to fridge for 5 minutes & re-start. If the code shows again, contact manufacturer for service.
Code F7 or F8 displayed	Possible cause: temperature sensor is faulty. Contact manufacturer for service.

CLEANING, CARE, STORAGE & MAINTENANCE

WARNING: Never use hard or sharp tools to remove ice or to loosen objects frozen in place.

Cleaning

- Unplug the device first to avoid electric shock.
- Use wet cloth to clean the device and dry it.
- Remove the cover and drain from the hole at the bottom of the device.
- Do not soak the device in water and do not wash it directly.
- Do not use abrasive cleaning agents as these can damage the device.

Storage



- If the device will not be in use for a long time, please follow the steps:
- Turn off the power and remove the plug.
- Remove all the items stored in the device.
- Remove the cover and drain from the hole, wipe off excess water with a soft rag.
- Leave the lid slightly open to prevent odour formation.
- Put the device in a cool and dry place.

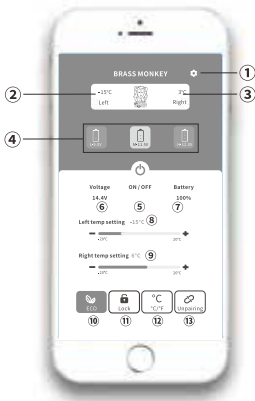
Defrosting

- Humidity can form frost in the interior of the cooling device or on the evaporator, which will affect the cooling performance. Defrost the device regularly to avoid this.
- Switch off the device.
- Take out the contents of the device.
- Keep the lid open.
- Remove the cover and drain from the hole.
- Wipe off the defrosted water.

SMART CONTROL - FRIDGE APP INSTRUCTIONS


Downloading the "BRASS MONKEY" Application

- Using a pre-installed QR reader on your handheld smart device scan the QR code in the manual or on the carton, or search for the "BRASS MONKEY" APP in the iTunes™ App Store (for Apple™ devices) or Google store (Android Devices)
- Start the application and select the Searchfunction.
- The application will prompt you to pair the fridge by pressing the set button  on the fridge's control panel. Once set button  has been activated, the fridge will be paired with your smart device and the application will switch to a control panel allowing you to control the fridge's functions.



- ① SET
- ② Freezer zone current temperature
- ③ Refrigerator zone current temperature
- ④ Battery protection model: High/Medium/Low
- ⑤ Turn ON/OFF the fridge
- ⑥ Current voltage
- ⑦ Battery capacity (Battery is not supported on this model)
- ⑧ Freezer zone temperature setting
- ⑨ Refrigerator zone temperature setting
- ⑩ ECO (Energy-saving) / MAX (Fast cooling) mode switch
- ⑪ Children's Lock/ Unlock
- ⑫ Celsius / Fahrenheit switch
- ⑬ Unpair the device and return to Search

Note:

* Click the lock icon  on the APP to lock/unlock the control panel on the fridge, if locked, the fridge can only be controlled by the APP.

Please scan the QR code to download APP

QR Code for Apple™ Devices



QR Code for Android Devices



TEMPERATURE GUIDE

This is a guide to what the temperature will be in the secondary compartment, once the first compartment is set. You can either set the target fridge temperature or target freezer temperature. You cannot set a target temperature of both compartments at the same time.

Temperature Setting	RE (Refrigerator control)	
	Average temperature in Refrigerator	Average temperature in Freezer
8	8°C	-13°C
5	5°C	-15°C
3	3°C	-19°C
0	0°C	-21°C

Temperature Setting	FR (Freezer control)	
	Average temperature in Refrigerator	Average temperature in Freezer
-12	9°C	-12°C
-15	5°C	-15°C
-18	3°C	-18°C
-20	1°C	-20°C

SPECIFICATIONS

Rated Voltage	DC 12/24V
Power Consumption	80W
Capacity	85L
Noise Emission	≤45dB
Temperature Range	0-8°C(RE)/ -12~-20°C(FR)
Climate Class	T/ST/N/SN
Dimensions (W x H x D)	437 x 790 x v484 mm
Net Weight	25KG

WARRANTY INFORMATION

Our product is guaranteed to be free from manufacturing defects for a period of 3 years. If your product becomes defective during this period, Electus Distribution will repair, replace, or refund where a product is faulty; or not fit for intended purpose.

This warranty will not cover modified product; misuse or abuse of the product contrary to user instructions or packaging label; change of mind and normal wear and tear.

Our goods come with guarantees that cannot be excluded under the Australian Consumer Law. You are entitled to a replacement or refund for a major failure and for compensation for any other reasonably foreseeable loss or damage. You are also entitled to have the goods repaired or replaced if the goods fail to be of acceptable quality and failure does not amount to a major failure.

To claim warranty, please contact the place of purchase. You will need to show receipt or other proof of purchase. Additional information may be required to process your claim.

Any expenses relating to the return of your product to the store will normally have to be paid by you.

The benefits to the customer given by this warranty are in addition to other rights and remedies of the Australian Consumer Law in relation to the goods or services to which this warranty relates.