

Please read this before using
the Monocular

Operating Instruction

Night Vision Monocular

with Magnification & IR

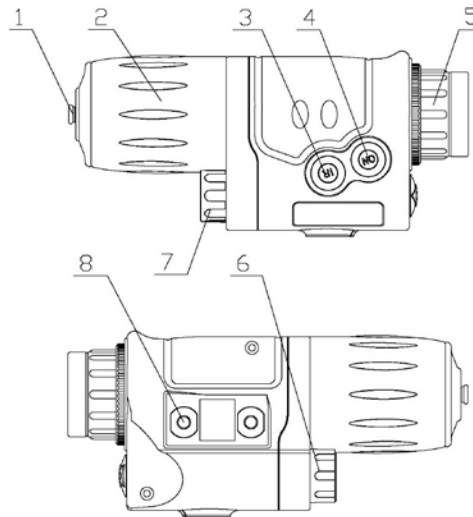
Illumination
GG-2129

Keep this manual for future reference

1

Parts List

-
1. Lens cover
 2. Main Lens - Zoom adjustment
 3. IR button
 4. Power button
 5. Eye lens and fine adjustments
 6. IR lamp
 7. Battery compartment
 8. Tripod mount



2

Performance index

- Maximum observing distance 150-200m
(ambient light illumination 10^{-2} LUX)
- Focusing range 1m ~ ∞
- Eyepiece dioptre range -4 ~ +4D
- Power supply voltage 3.0V
- Battery mode CR123A
(not included)
- IR lamp Embedded

3

1. Before first time use

- NEVER use the night vision monocular during daylight or around sunlight or any light source.
- NEVER point unit towards any light source.

- TO test unit under a source of light, keep the Main Lens on.
- ALWAYS keep Main Lens and Eye Lens cap on after use
- ALWAYS keep the unit away from any heat source.
- FAILING to protect the lens will contribute to the tube intensifier tube to burn out and the unit will eventually fail.

2. Operation

Battery Installation:

Unscrew the battery compartments cap, then install 1 x CR123A battery (not included), positive (+) side first.

Use:

Press the button of POWER, the green LED will be on indicator power. The image intensifier tube will be lighted and will produce a green image.

Now you can view from the Eye Lens, remove the Main Lens cover if under a low light

4

to dark situation. Adjust the Zoom by rotating the front lens by rotating it. To fine tune vision, adjust the rear lens by rotating it.

Auxiliary IR Lighting:

When observing in a very dark place, press

the IR button to turn on the Auxiliary IR lighting source.

Turn unit Off:

Press the power button again to turn the unit off.

Replace Cap:

Once off, ensure you replace the cap over the lens to protect the unit after use.

3. Maintenance

- During storage, always ensure the Main Lens and Eye Lens are covered by the supplied cap.
- Always remove the battery after use and during any prolonged storage time.
- Keep unit from getting wet
- If unit is used with-in an area with high condensation, turn unit off and keep off for 5 hours.
- If unit is used with-in an area with high condensation, turn unit off and keep off for 5 hours before using again.
- Do not attempt to open or modify any part of the unit, doing so will void all warranty.

5

Distributed by:
TechBrands by Electus Distribution Pty. Ltd.

320 Victoria Rd, Rydalmere
NSW 2116 Australia

Ph: 1300 738 555

Int'l: +61 2 8832 3200

Fax: 1300 738 500

www.techbrands.com

Made in China

6