



MODEL GE4136

TURNTABLE PLAYER

- USER MANUAL -



CAUTION RISK OF ELECTRIC SHOCK DO NOT OPEN



CAUTION: TO REDUCE THE RISK OF ELECTRIC SHOCK, DO NOT REMOVE COVER (OR BACK). NO USER-SERVICEABLE PARTS INSIDE. REFER SERVICING TO QUALIFIED SERVICE PERSONNEL.



The lightning flash with arrowhead symbol, within an equilateral triangle, is intended to alert the user to the presence of uninsulated "dangerous voltage" within the product's enclosure that may be of sufficient magnitude to constitute a risk of electric shock to persons.



The exclamation point within an equilateral triangle is intended to alert the user to the presence of important operating and maintenance (servicing) instructions in the literature accompanying the appliance.

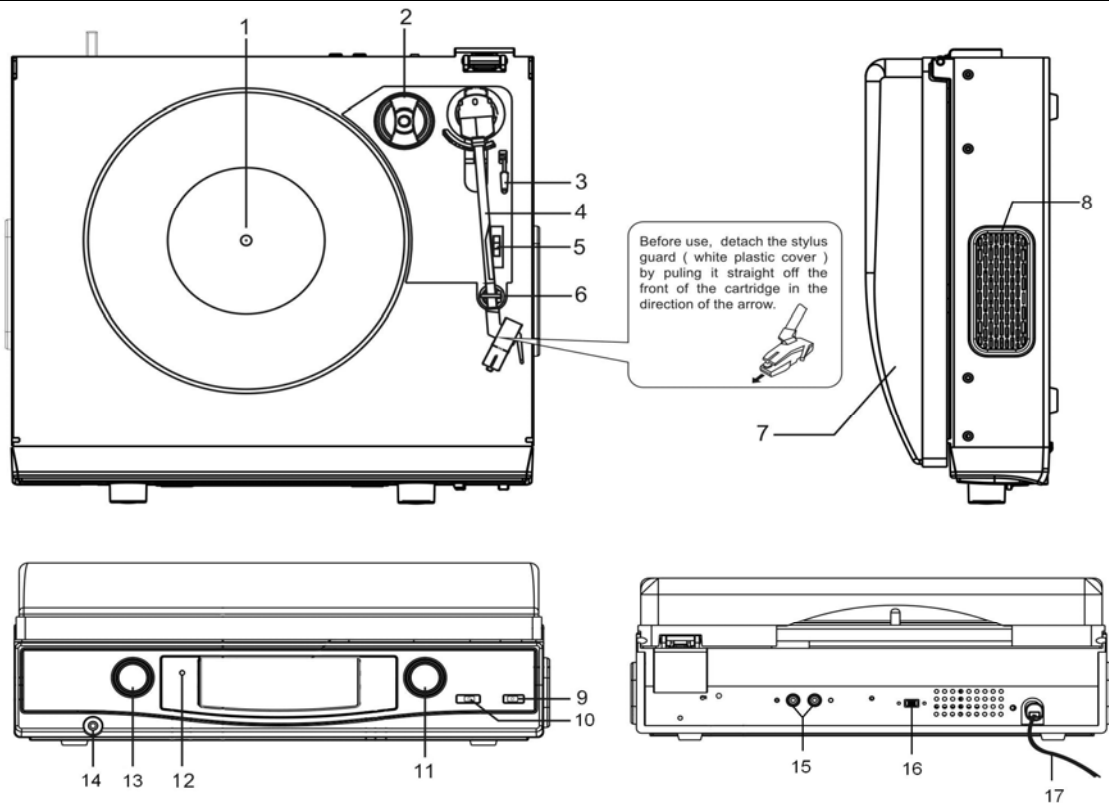
WARNING :

TO REDUCE THE RISK OF FIRE OR ELECTRIC SHOCK, DO NOT EXPOSE THIS APPLIANCE TO RAIN OR MOISTURE.

CAUTION

- DO NOT REMOVE EXTERNAL CASES OR CABINETS TO EXPOSE THE ELECTRONICS. NO USER SERVICEABLE PARTS ARE WITHIN!
- IF YOU ARE EXPERIENCING PROBLEMS WITH THIS PRODUCT, CONTACT A SERVICE REFERRAL. DO NOT USE THE PRODUCT UNTIL IT HAS BEEN REPAIRED.
- USE OF CONTROLS OR ADJUSTMENTS OR PERFORMANCE OF PROCEDURES OTHER THAN THOSE SPECIFIED HEREIN MAY RESULT IN HAZARDOUS RADIATION EXPOSURE.
- DO NOT INSTALL THIS EQUIPMENT IN A CONFINED SPACE, SUCH AS A BOOK CASE OR BUILT IN CABINET.
- THE APPARATUS MUST NOT BE EXPOSED TO DRIPPING OR SPLASHING.

LOCATION OF CONTROLS



1. Turntable
2. 45 RPM Adapter
3. Cue-lever (use this lever to lift the tone arm)
4. Tone Arm
5. Speed Selector
6. Tone Arm Holder
7. Dust Cover
8. Grill
9. Auto Stop (On/Off) Selector
10. Function Selector (Phono/Off)
11. Bass Boost Control
12. Power Indicator
13. Volume Control
14. Headphone Jack
15. Speaker connection
16. Internal Speaker (On/Off) Selector
17. AC Power Cord

POWER SOURCE

This Unit is designed to operate on normal 240V ~ 50Hz household power source. Do not attempt to operate the system using other power sources. This may result in damage to the unit and void your warranty.

Mains plug should be regularly checked. If it is found damaged, do not turn on the unit and immediately seek advice from a qualified service technician. Any malfunction due to electrostatic discharge (ESD), reset the unit by unplugging AC Cord from the outlet; wait for few minutes before reconnect

TURNTABLE OPERATION

- Note:**
1. Do not resist or turn the platter manually.
 2. Moving or jarring the turntable without securing the Tone Arm in its Holder could result in damage to the Tone Arm.
 3. Replace the protective cap on the stylus when not in use.

Preparation

Open the Record Player Cover, release the Tone arm Clamp and remove the stylus protector.

Listening to Records

1. Set the Function Selector to the PHONO position.
2. Place a record on the turntable, over the central spindle. Place the EP (45 RPM) adapter over the central spindle when playing 17cm EP records.
3. Set the Speed Selector to 33 or 45 or 78 rpm according to the record.
4. Release the Tone Arm Holder and remove the protective cap from the stylus.
5. Lift the Tone arm with the Tone Arm Lift Lever.
6. Move the tone arm to the beginning of the record or to the start of a particular track.
7. Gently lower the tone arm onto the record with the Tone Arm Lift Lever to start playing.
8. When the record is finished, the tone arm will automatically stop (if the Auto-Stop Selector is set to ON). Lift the tone arm from the record and return it to the rest.
9. To stop play manually, lift the tone arm from the record and return it to the rest.
10. With some records, Auto-Stop may not function as expected; for those records, set Auto-Stop to OFF and stop playback manually as described above.

BASS BOOST

Turn Bass Boost control to desired Bass Boost effect.

LINE-OUT SOCKET / INTERNAL SPEAKER (ON/OFF) SELECTOR

You can connect the unit to external speakers (4 ohm, not included) by connecting up the Line-out L,R sockets. Before connection, ensure internal speaker selector switched to OFF position.

HEADPHONE

This unit will accept stereo headphones (not included) with a 3.5mm plug and an impedance of 8 ohm or greater. The speakers are automatically disconnected when headphones are connected to the Phone Jack.

SPECIFICATIONS

Power Supply : AC240V ~ 50Hz
Power consumption : 25W