



Turntable Hi-Fi with CD Player



User Manual

GE-4100

WARNINGS

- This product is designed for use in moderate climates. Do not use or install this unit where it would be exposed to direct sunlight or in extremely hot temperatures, or near a radiator, stove or appliance that produces heat.
- Do not take this unit into the bathroom, or near a swimming pool. Do not use it where it would be exposed to water, moisture, dripping or splashing.
- No objects filled with liquids, such as vases, should be placed on the product.
- No naked flame sources, such as candles, should be placed on the product.
- If water gets inside the unit. Unplug the power cord from the supply socket and consult a technician.
- Do not handle the power cord with wet hands. To avoid electric shock, NEVER touch any internal parts. Repairs/Serviceing should be left too a qualified service technician.
- When connecting or disconnecting from the mains supply, hold the plug, not the cord. Pulling the cord may damage it.
- Do not drop the unit, spill liquid into it or allow objects to fall in it.
- If the unit fails to operate, disconnect from the mains and consult a qualified service person.
- When plugged in, a very small current will flow. To save electricity and for safety when not using the unit for an extended period of time, it is recommended that the product is completely disconnected at the AC mains socket.
- Do not bend the cord sharply, pull or twist it.
- Do not modify the power cord in any manner.
- Do not insert any metallic object into the unit.
- Unplug the power cord when there is the possibility of lightning.
- In case of malfunction due to electrostatic discharge just reset the product (reconnect of power source may be required) to resume normal operation.

We certify that the power supply is used as a device for disconnecting the power distribution network, which should stay easily accessible.

 <p>The lightning flash and arrow head within the triangle is warning sign alerting you of dangerous voltage inside the product</p>	<p style="text-align: center;">CAUTION</p> <p style="text-align: center;">RISK OF ELECTRIC SHOCK DO NOT OPEN</p> <p>CAUTION : TO REDUCE THE RISK OF ELECTRIC SHOCK DO NOT REMOVE COVER (OR BACK). NO USER SERVICIABLE PARTS INSIDE. REFER SERVICING TO QUALIFIED SERVICE PERSONNEL.</p>	 <p>The exclamation point within the triangle is a warning sign alerting you of important instructions accompanying the product</p>
--	--	---

POSITIONING THE UNIT

- A minimum distance of 6 INCHES must be maintained to provide sufficient ventilation.
- Allow adequate ventilation for the unit. Ventilation should not be impeded by covering the ventilation openings with items such as newspapers, table cloths, curtains etc. Do not stand it on a thick pile carpet, or install it in a place with poor air flow.
- Place the unit on a flat even surface.
- Do not use the unit in excessively hot, cold, dusty, damp or humid areas.
- Condensation may form inside the CD player if the unit is left anywhere warm and damp, or if you move the unit from somewhere cold (e.g. Your car boot) to a warm room. In this case, let the unit stand for 1-2 hours, or gradually increase the room temperature so the unit is dry before you use it.
- Do not place it where it could be subject to vibration.
- Do not place it where it could be magnetised by a magnet or speaker since there are magnets in the speakers, do not place tapes or magnetic cards on them as recorded data could be erased.
- When this unit is used near a TV, the TV picture could be distorted. If this happens, move the unit away from the TV. If this does not correct the situation, avoid using the unit when the TV is turned on.
- Keep the CD door closed so the lens is not contaminated by dust. Do not touch the lens.

SAFETY MECHANISM

This unit incorporates a safety interlock mechanism which switches the laser beam on and off, so that when the disc holder is open, the laser beam stops automatically.

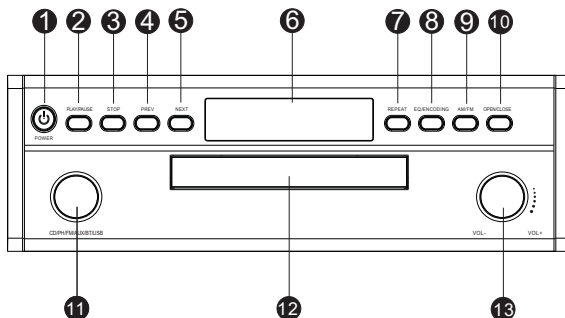


This set employs an optical laser beam system in the CD mechanism designed with built-in safeguards. Do not attempt to disassemble. Exposure to this invisible laser light beam may be harmful a human eye. This is a Class 1 laser product. Use of controls, adjustments or procedures other than those specified here in may result in hazardous laser light beam exposure. This compact disc player should not be adjusted or repaired by anyone except qualified service personnel. The laser mechanism in the set corresponds to the stylus (needle) of a record player. Although this product uses a laser pick-up lens, it is completely safe when operated according to directions.

FUNCTION CONTROLS

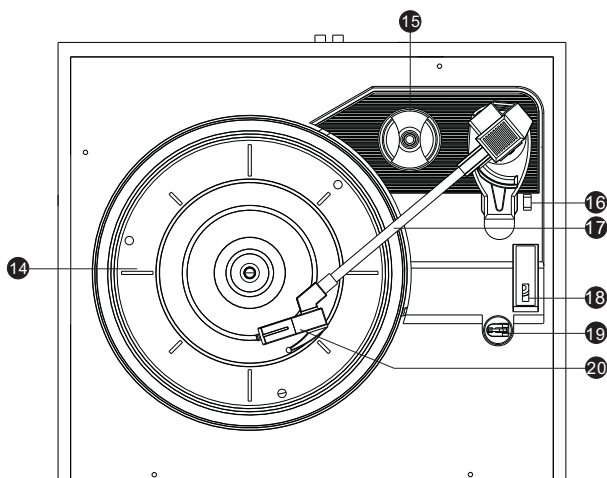
FRONT VIEW

1. Power (ON/OFF)
2. Play/Pause Button
3. Stop Button
4. PREV Button
5. Next Button
6. LED Display
7. Repeat Button
8. EQ/Encoding Button
9. AM/FM Button
10. CD Open/Close Button
11. Mode Knob (CD/PH/FM/AUX/BT/USB)
12. CD Door
13. Volume Knob



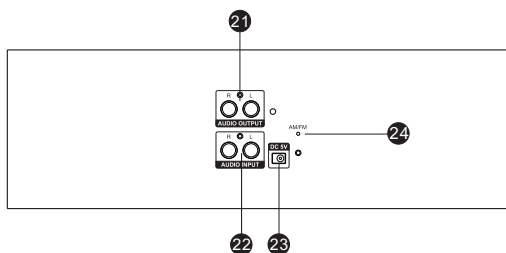
TOP VIEW

14. Turntable
15. 45 RPM Adaptor
16. Control Perch
17. Tone Arm
18. Speed Control Switch
19. Tone Arm Lock
20. Turntable pickup



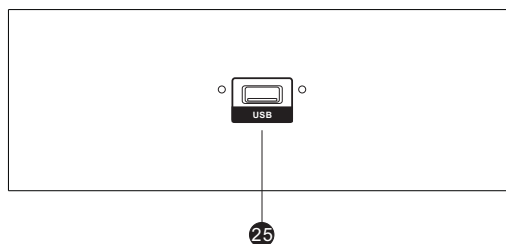
REAR VIEW

21. Audio Output
22. Audio Input
23. DC In Port
24. FM Antenna

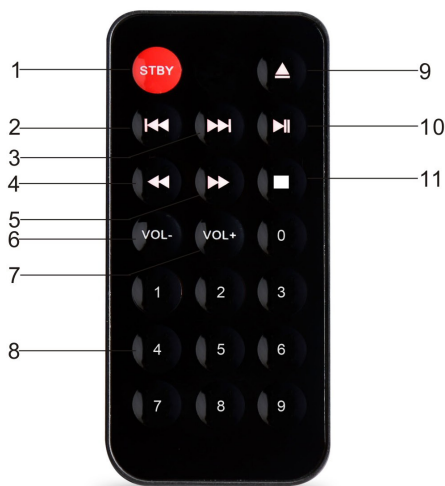


USB SIDE VIEW

25. USB Play / USB Encoding



REMOTE CONTROL



1. STBY
2. PREV
3. NEXT
4. PRE
5. FWD
6. VOL-
7. VOL+
8. NUMBER KEYS
9. OPEN/CLOSE
10. PLAY/PAUSE
11. STOP

STBY (STANDBY)

- Press this button, the speaker will set to stand-by mode.
- Press again to return its power on state.

PREV

- Press this button, the system will choose previous song.

NEXT

- Press this button, the system will choose next song.

PRE

- Fast reverse playback under CD Mode.
- The available speed is 2X, 4X, 8X and normal speed.

FWD

- Fast forward playback under CD Mode.
- The available speed is 2X, 4X, 8X and normal speed.

VOL-

- To control volume down.

VOL+

- To control volume up.

NUMBER KEYS

- When in CD/USB mode, press the number to choose the number of the songs in the CD/USB device.

PLAY/PAUSE

- Press this button, the system will play or pause.

OPEN/CLOSE

- Press this button to open or close the CD tray when under CD mode.

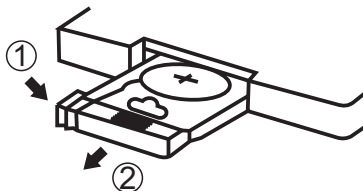
STOP

- Press this button to stop playing under CD/USB modes.

BATTERY INSTALLATION REMOTE CONTROL

1. Take off the protective paper on battery. Then install battery (1pc 3V Lithium Cell CR2025 included) in battery compartment to respect polarity.
2. For replace new battery, open the battery case when replace the battery. Insert new 1pc 3V Lithium Cell (CR2025).

Note: Keep within 5 meter range, 30 degree angle while aiming at the unit.



PREPARATION FOR USE

- Carefully unpack the main unit from its carton (do not attempt to connect anything at this stage).
- Keep any packaging in case you want to transport the main unit at some later date.
- Connect the AC Power cord to the AC outlet.
- Unwind the FM antenna.
- To adjust the sound, turn the Volume Knob located on the Right side of your system in any mode.

USING THE CD PLAYER

Loading CDs

- Press POWER button to ON position. Set the Mode Knob to the CD position.
- Press the OPEN/CLOSE button to open the CD door. Do not force open the CD door by hand at any time.
- Place the CD in the compartment with the label side facing upwards.
- Press OPEN/CLOS to Close the CD door.

Playing CDs

- Press PLAY/PAUSE button to play/pause, when pause, LED screen will indicate II.
- Press Stop Button, will stop playing.
- To resume play, press the Play/Pause Button again.
- Press the Play/Pause Button again.
- Press the PREV/NEXT Button to enter into last/next songs.

Notes:

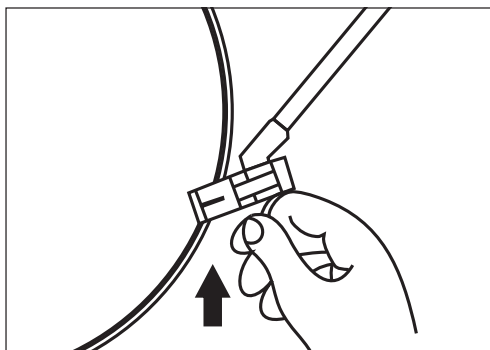
- Do not put anything other than a CD in the compartment. Other objects can damage the mechanism.
- Do not force open/close the CD door by hand at any time.
- Keep the CD door closed when not in use to prevent dirt and dust from getting into the mechanism.
- Never insert more than one CD at a time.
- If a disc is deeply scratched or too dirty, it may not play.

USING THE TURNTABLE

- Press POWER button to ON position.

Set the Mode Knob to the PH (phonograph) position.

- Place the record on the turntable.
- Select the speed of record: 33, 45, 78rpm according to vinyl to played.
- Remove the stylus guard and push the lift lever upward to raise the tone arm from the arm park, and then move the cartridge holder over the record gently, now the platter will run automatically. Then put down the lever, the tone arm would drop and touch record surface gently. Now users can enjoy their favorite songs.
- Push the arm lift lever up to raise the arm, now platter will still run but play will pause. To continue the play, user just need to put down the lever.

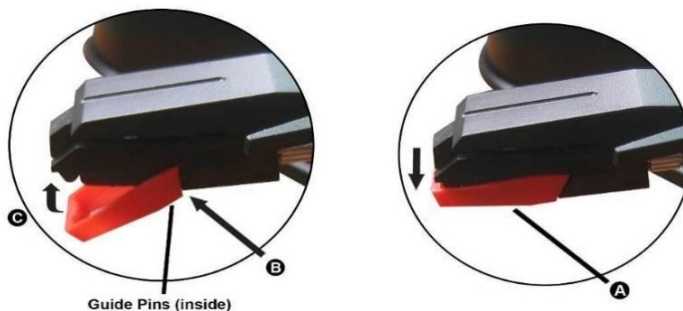


HOW TO REPLACE THE STYLUS

To replace the needle, please refer to the instructions below.

Removing the needle form the cartridge

- A) Place a screwdriver at the tip of the needle heads hell and push downwards in the direction shown in sketch "A"
- B) Remove the needle head shell by pulling it forwards and pushing downwards.



Inserting the needle

- C) Hold the tip of the needle head shell and insert it by pressing in the direction illustrated by "B"
- D) Push the needle head shell upwards in the direction illustrated by "C" until the needle locks into the tip position.

CLEANING THE LENS

A dirty lens will cause sound skipping and, if the lens is very dirty, the CD may not work.

USING THE FM RADIO

- Press POWER button to ON position.
- Set the Mode Knob to the FM position.
- Turn the FM radio Knob to select the channel you want.

ANTENNA

For best AM/FM reception, extend the wire antenna located at the back of the unit. Move it around until you get the best AM/FM reception.

AUX-IN OPERATION

- Press POWER button to ON position.
- Set the Mode Knob to the AUX position.
- Connect the two ends of the included Audio cable to the LINE IN jack on the back of the speaker (white end into white slot, red end into red slot), and the other end of the cable to the output jack on your computer or mobile phone or tablet etc.
- Open a media player on your computer, mobile phone or tablet, and click on Play to start playing your music.

BLUETOOTH® FUNCTION OPERATION

- Press POWER button to ON position.
- Set the Mode Knob to the BT (Bluetooth®) position.
- The red BLUE will quickly flash in the LED screen.
- Keep the turntable and Bluetooth® enable device within 3 feet of each other during the pairing process.
- Set your Bluetooth® enable device to search for Bluetooth® devices.
- When the Bluetooth® enable device finds the turntable, select GE4100 from the list of the found devices.
- If required, enter the password 0000. Select OK or Yes to pair the two units.
- After a successful pairing, the red "BLUE" will solid in the LED screen.

USE USB FUNCTION

- Press POWER button to ON position.
- Set the Mode Knob to the USB position.
- Insert your USB flash disk.

Now users can enjoy their favorite songs. Songs could be in MP3, WMA format.

ENCODING FUNCTION OPERATION

- 1) The user could record the records from CD/PHONO/FM/AM/AUX to USB flash disk. Bluetooth® cannot be record.
- 2) Insert USB flash disk under the CD/PH/FM/AM/AUX mode, choose the track you want to record. Then pres ENCODING button, the “REC” will blink on the LED screen, the unit will enter into ENCODE status. Press ENCODING button again to stop the record. Note: When USB memory is full, the record will not stop automatically. To avoid the record missing, you may use the big memory USB disk.
- 3) Set the Mode Knob to the USB position, you could playback the records on USB flash disk.

SPECIFICATIONS

Power Supply AC Adaptor: 5V 2000mAh

Power Consumption: 10W

Audio Output Power: 2 x 5 Watts

Unit Dimensions: 320 x 285 x 150 mm

Speaker Dimensions: 140 x 211 x 210mm (x2)

FM Radio Coverage: 88 - 108 MHz

AM Radio Coverage: 520 - 1710 KHz

CD Player Frequency Response: 100Hz - 16 KHz

Bluetooth® 2.1 Profiles: A2DP, AVRCP

Bluetooth® 2.1 Range: Line of sight, 10M or 30FT

BOX CONTENTS

- 1 x Main Unit
- 1 x AC Adaptor
- 1 x RCA Cable
- 1 x Remote Control
- 1 x User Manual

DISTRIBUTED BY:

TechBrands by

Electus Distribution Pty. Ltd.

320 Victoria Rd, Rydalmere

NSW 2116 Australia

Ph: 1300 738 555

Int'l: +61 2 8832 3200

Fax: 1300 738 500

www.techbrands.com

Made in China