

Classic Wooden Turntable with Dust Cover & Speaker Set



Instruction Manual

BOX CONTENTS

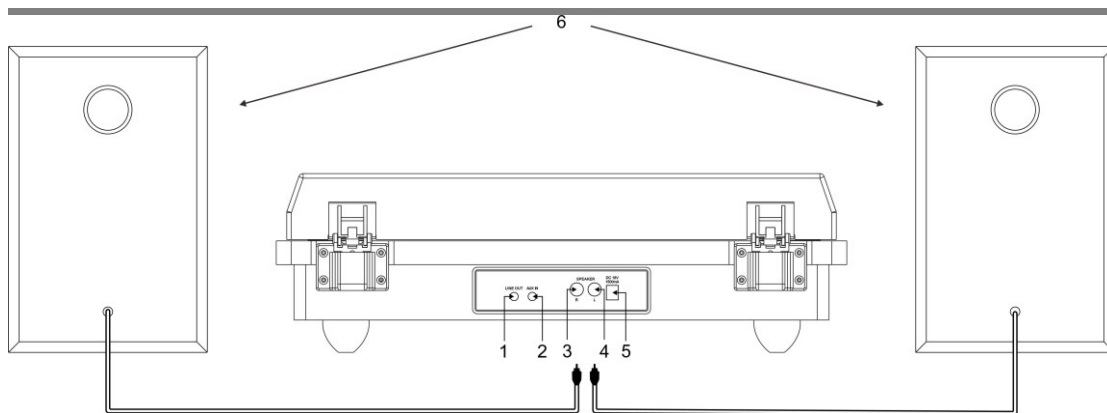
Make sure that the items listed below are included in the

box:

- ◆ Main Unit
- ◆ Speakers Set
- ◆ Power Adapter
- ◆ Instruction Manual

READ SAFETY INSTRUCTION BOOKLET BEFORE USING THE PRODUCT

BACK PANEL



1 LINE OUT

3 SPEAKER R jack

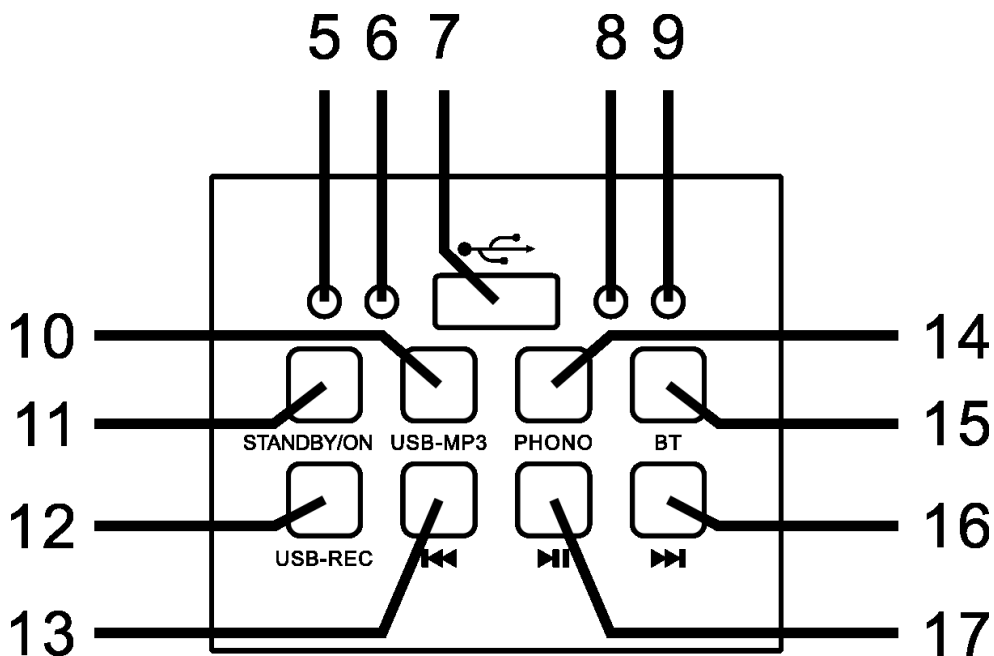
5 DC 18V, 1500mA

2 AUX IN

4 SPEAKER L jack

6 SPEAKER SET

FRONT LEFT PANEL



5 STANDBY/ON indicator

7 USB socket

9 BT indicator

11 STANDBY/ON button

6 USB PLAYER indicator

8 PHONO PLAYER/REC indicator

10 USB-MP3 PLAYER button

12 USB-REC button

13 ■ button

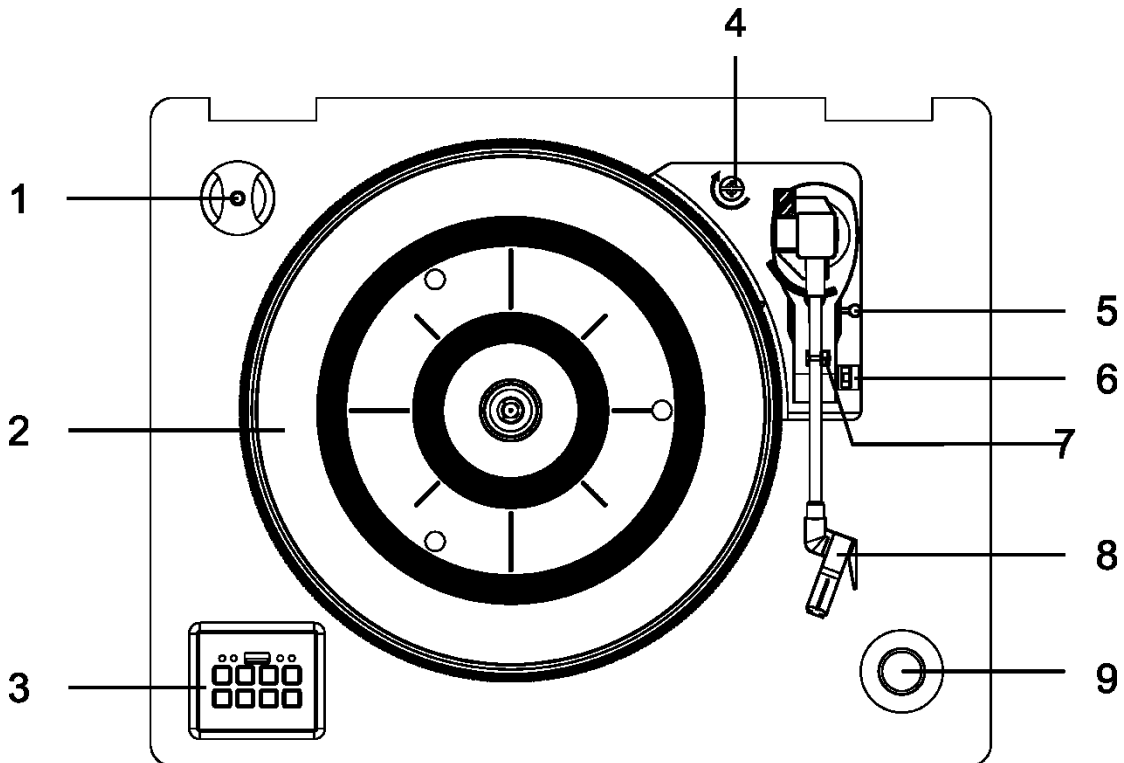
15 BT button

17 ▶|| button

14 PHONO PLAYER button

16 ■ button

TURNTABLE PANEL



1 45 RPM ADAPTER

3 FUNCTION BUTTON PANEL

5 CUE LEVER

7 TONE ARM LOCK

9 VOLUME KNOB

2 TURNTABLE

4 TRANSIT SCREW CROSSING

6 SPEED SELECTOR(33/45/78 RPM)

8 TONE ARM WITH STYLUS

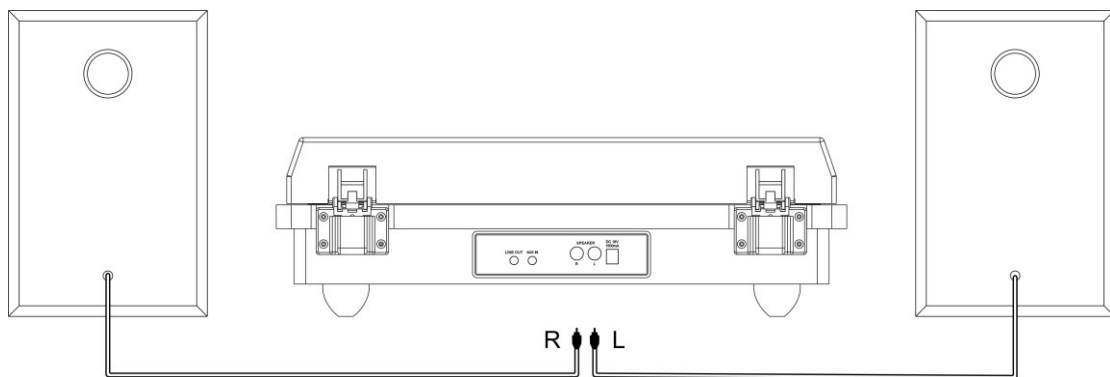
PREPARATION FOR USE

Unpacking and set up

- ◆ Carefully remove the GE-4081unit from the display carton and remove all packing material from the GE-4081unit.
- ◆ Unwind the AC adapter jack and extend it to its full length.
- ◆ Place the GE-4081unit on a stable, level surface, convenient to an AC outlet, away from any strong magnetic fields.
- ◆ Connect the plug to your AC outlet.
- ◆ Remove the opaque white plastic stylus cover from the phonograph stylus by sliding it in the direction of the arrow.
- ◆ During this operation take care as to not damage the stylus.
- ◆ Remove the twist-tie that was used to secure the tone arm during the shipment.
- ◆ Release the tone arm lock level.

SPEAKER SET CONNECTION

- ◆ Before playing the GE-4081unit, please connect the speaker set to the main unit. Once this complete, turn the VOLUME knob down to the lowest level.
- ◆ Connect the speaker cable in white color, to the SPEAKER L jack, the other cable in red color, connect to the SPEAKER R jack.
- ◆ Powering on the main unit, and select the required function, adjust the volume accordingly.



POWERING ON THE UNIT

- ◆ Connect the AC Adapter to the AC POWER Socket on the back of the unit.
- ◆ Press STANDBY/ON button, the red LED will light up and the unit will make as “Chime”, this indicates that the system on.
- ◆ When you have finished using the system, press the STANDBY/ON button again, this will turn off the GE-4081unit with a voice message: POWER OFF coming from the speakers.

AUX IN OPERATION

This GE-4081unit provides an auxiliary audio signal input jack for connecting external audio devices like MP3 players, CD players and older, non-dock-able iPods, so you can listen to your external source through the speakers of this system.

- ◆ Use an audio cable (not included) with one 3.5 mm stereo connection on each end of the cable.
- ◆ Plug one end into the AUX-IN jack on the main unit and the other end to the line-out jack of audio device.
- ◆ Power On both devices.
- ◆ The volume level can be controlled through the main unit. Operate all the functions on the auxiliary device as usual.
- ◆ When using AUX IN function, it is advisable to stop other functions before switching to AUX IN.

NOTE

- ◆ If the Line Out jack of your external device is connected, then you only need to adjust the volume control of this system.
- ◆ Make sure tone arm is securely locked to the tone arm rest to avoid any damage.
- ◆ Press STANDBY/ON button to turn off the GE-4081unit when you are done. Don't forget to turn off the power on your external device as well.

PLAYING RECORDS

This system includes a full-size, 3-speed, belt-drive turntable that plays 33,45 and 78 RPM records.

- ◆ To turn the system on, press the STANDBY/ON button and set the volume to a low level.
- ◆ Press PHONO button to turn on the phono mode. Please be sure that you have removed the stylus cover from the stylus and have released the Tone arm lock.

- ◆ Set the turntable speed switch to the appropriate speed:33,45 or 78 RPM. Set the record onto the turntable. If you are playing 45 RPM singles, place the 45 RPM adapter on the center spindle.
- ◆ Raise the cue lever to lift the tone arm off its rest. Move the tone arm to the edge of the record. The turntable will start automatically. Use the cue level to gently lower the tone arm on to the record.
- ◆ Adjust the VOLUME control to set the volume as desired.
- ◆ Press STANDBY/ON button to turn off the system when you are done.

PHONOGRAPH RECORDING OPERATION




- ◆ Place a phono record on the turntable.
- ◆ Plug a USB Drive into USB socket. Then press USB-REC button, the red LED indication light will flash, and the GE-4081unit will start recording the music from the phono record playing.
- ◆ Press USB-REC button again when you finish recording.
- ◆ Press USB-MP3 button with red light on, you will hear the recorded tracks on the USB Drive.

NOTE

- ◆ USB-REC is only for phonograph recording only.

USB Operation

- ◆ Press USB-MP3 button to turn on USB mode with the red LED indicating that the unit is on.

- ◆ Insert the USB device into the USB input on the system, the player will automatically play the first track on the USB device.
- ◆ Press the  or  buttons to choose your desired track.
- ◆ Press the  button to pause or play the track.
- ◆ Press the STANDBY/ON button to turn off the GE-4081 unit when you are finished.

REMOVING THE USB DRIVE

- ◆ Please be sure the stop playback and turn the unit off before removing the USB drive to avoid damage to the USB and the system.

BLUETOOTH OPERATION

- ◆ Press the BT button on the front left panel to activate the BLUETOOTH function.
- ◆ Set up the Bluetooth playback device so that it searches for other Bluetooth devices.
- ◆ Select the entry **GE-4081** from the list of found devices on your Bluetooth playback device. If the pairing is successful, you will hear a signal with Ding-dong sound.
- ◆ Enjoy your music from your playback device.

Note

- ◆ The next time you turn on the device it will automatically connect to the last Bluetooth playback device connected. If your Bluetooth playback does not automatically reconnect to the device, you will have to re-establish the connection to your Bluetooth device manually.
- ◆ If you use a smart-phone as your Bluetooth playback device, the audio file will be muted when there is an incoming call. Acceptance/termination of the call is carried out via the smart phone. After finishing the call, the playback will be automatically continued.

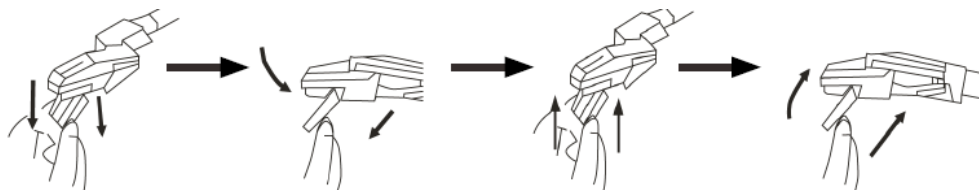
PHONO LINEOUT OPERATION

- ◆ This system includes a LINEOUT jack which allows you to play from the phonograph of this system to an external playback device.
- ◆ Insert the audio cable (not included) into the matching “LINE OUT” socket of the GE-4081 unit.

- ◆ Operate the unit as normal, press the PHONO button to turn phono mode on, place a phono record to the turntable, release tone arm lock, then play the record as normal.
- ◆ In order to achieve best results in terms of sound, it is advised to set the unit volume into minimum level.
- ◆ Through the speakers of the external playback device, you will hear the sound exported from the GE-4081 unit.

REPLACING THE STYLUS

- ◆ Lift the tone arm off the tone arm rest.
- ◆ At the front end of the tone arm, place the tip of your fingernail between the red stylus holder and the black cartridge housing as shown, press down on the red stylus holder until it separates from the cartridge housing.
- ◆ Completely remove the red stylus holder with worn stylus and discard it.
- ◆ Place the new red stylus holder with stylus under the cartridge housing. First, press upward on the back side of the stylus holder, and then press up on the front edge of the stylus holder until it snaps into place on the cartridge housing.

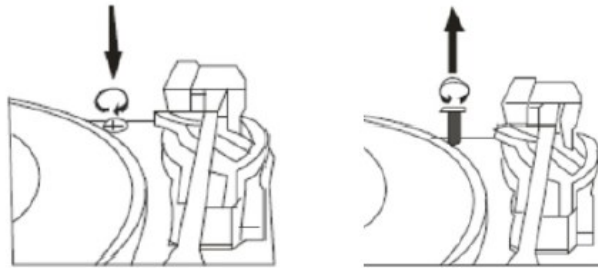


TRANSPORTING THE SYSTEM

IMPORTANT!

To protect the turntable from damage during transportation, a sliver transit screw is located on the upper right of the turntable platform.

- ◆ Before playing, please use a screwdriver to turn the transit screw in a clockwise direction (screw going down) completely to unlock the turntable.
- ◆ To lock the turntable again for transportation, please turn screw in counter-clockwise direction.



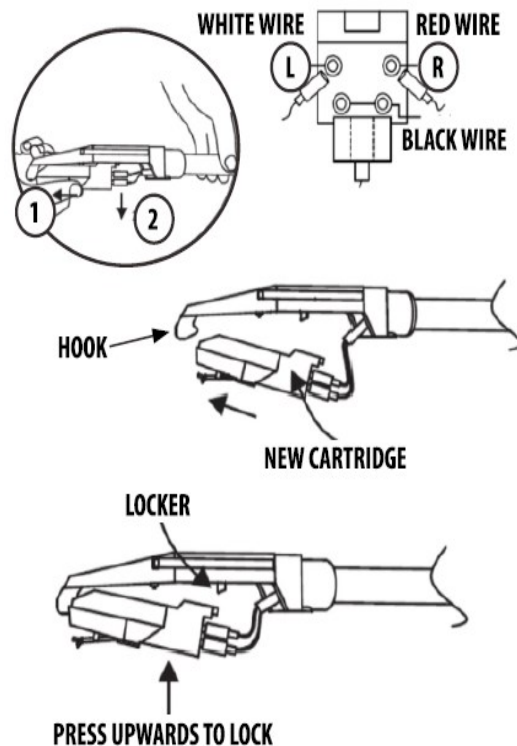
CARE OF THE WOOD PANEL AND DUST COVER

- ◆ Care of the unit is the same as any piece of furniture.
- ◆ When the dust cover is dusty, you may wipe it using a soft, non-abrasive dust cloth.
- ◆ If the wood panel becomes smudged with fingerprints, you may use any good quality commercial dusting and polishing spray cleaner taking care to read the instructions of the cleaner to ensure that it is compatible with the materials used on the GE-4081.
- ◆ We recommend spraying the cleaner on the cloth, not directly onto the wooden panel on the GE-4081.

CARE AND MAINTENANCE

TO REPLACE THE CARTRIDGE FROM THE TONE ARM PLEASE FOLLOW THE PROCEDURE BELOW.

- ◆ Gently lift off the tone arm from the tone arm rest.
- ◆ By using your left hand to hold the tone arm and using your right hand to hold the rear portion of the cartridge. Then push the cartridge backwards and downwards according to the direction as shown to the left to separate the cartridge from the tone arm.
- ◆ Using either a tweezer or your fingers, carefully unplug the terminals to the new cartridge.
- ◆ Carefully connect the terminals to the new cartridge (not included).
- ◆ To re-install the new cartridge to the tone arm. First please lock the front end of the new cartridge on the hook of the tone arm.
- ◆ Press the rear side of the new cartridge upwards to lock it on the tone arm.



CAUTION: Please don't damage the stylus when installing the new cartridge.

SPECIFICATIONS

| | |
|--|--|
| Operating voltage | DC18V/1500 mA |
| Bluetooth specification | Version 3.0 |
| Supported storage | USB, Max: 32G |
| Output power | 2 x 10W RMS |
| Main unit Dimensions(L*W*H) Speaker Dimensions(L*W*H) | 434 * 352.5 * 135.5 mm 150 * 230 * 190 mm |
| Unit Weight | 7.8 kg |

Specifications and functions are subject to change without notice. It is connected with continual improvement of the device.