



DIGITECH

Audio Visual

LCD / TV Harness Cable Kit



CW2854

User Manual

WEIGHT CAPACITY

COMPLETE UNIT

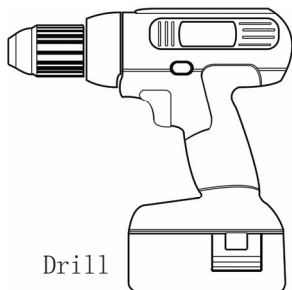
200 (LBS) / 90.7 (KG)

N/A

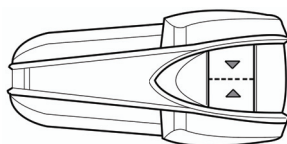
EN

USE WITH PRODUCTS LARGER THAN THE MAXIMUM WEIGHT AND SIZE MAY RESULT IN INSTABILITY CAUSING POSSIBLE INJURY. USER MUST REMOVE TELEVISION OR OBJECT OFF THE BRACKET BEFORE ADJUSTING. IF THE PRODUCT IS A TELEVISION MAXIMUM WEIGHT CAPACITY SUPERSEDES / OUTPLACES RECOMMENDED DIAGONAL MEASURED TELEVISION SIZE!!

Tools Needed (Not Included)



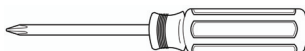
Drill



Stud finder



Pencil



Phillips screwdriver



Wood Stud
Drill Bit 1/8"

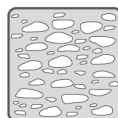
Pilot Hole Sizes



wood stud

Wood Pilot ~~NOT~~ INCLUDED)

Pilot Hole Size	Pilot Drill Depth
1/8" inch	1.5 inch
3.2 mm	38 mm



solid concrete

Concrete Pilot (INCLUDED)

Pilot Drill Depth

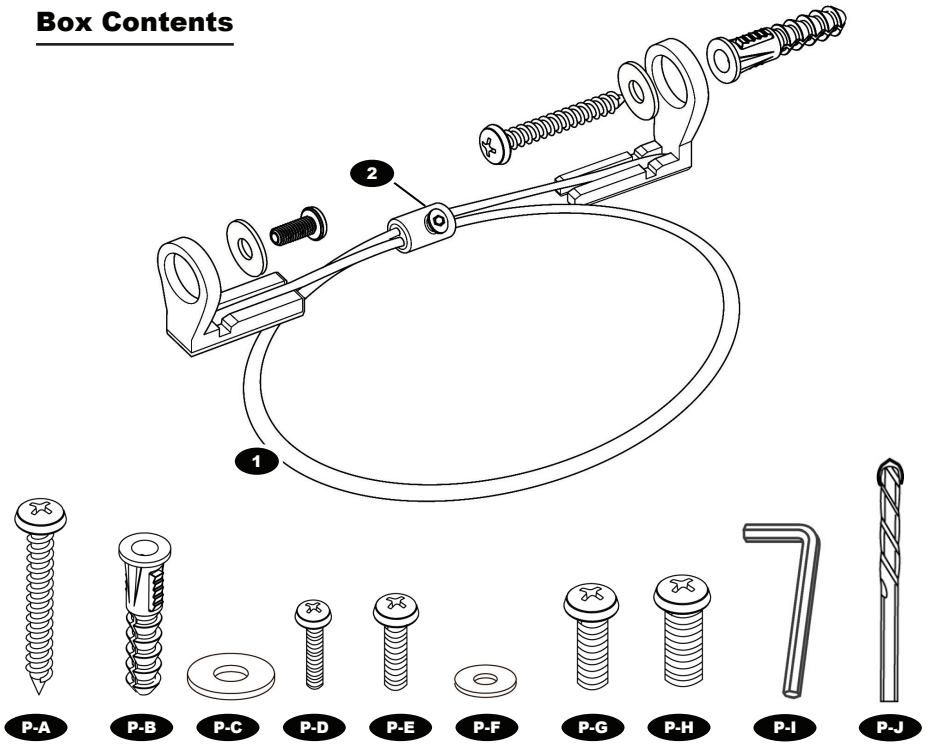
1.5" inch

38 mm



P-J

Box Contents

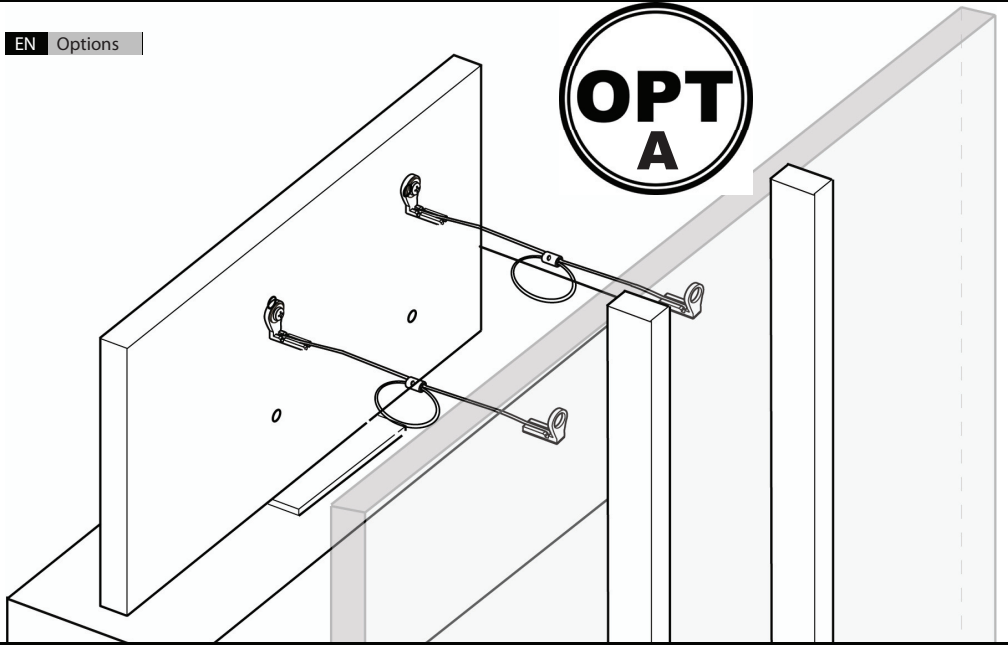


CW2854			
Pouch Location	Part #	Qty	Product Specific
1	P-A	2	Wood Screw
2	P-B	2	Wall Anchor
3	P-C	4	Steel Washer
4	P-D	2	Philips Screw M4 x 15mm
5	P-E	2	Philips Screw M5 x 15mm
6	P-F	2	Steel Washer OD:12mm - ID:5mm
7	P-G	2	Philips Screw M6 x 15mm
8	P-H	2	Philips Screw M8 x 15mm
9	P-I	1	Allen Wrench 2.5mm
10	P-J	1	Drill Bit (Concrete Only)
Contents			
N/A	1	2	Wire Cable
	2	2	Set Screw

DOUBLE STUD INSTALLATION

EN Options

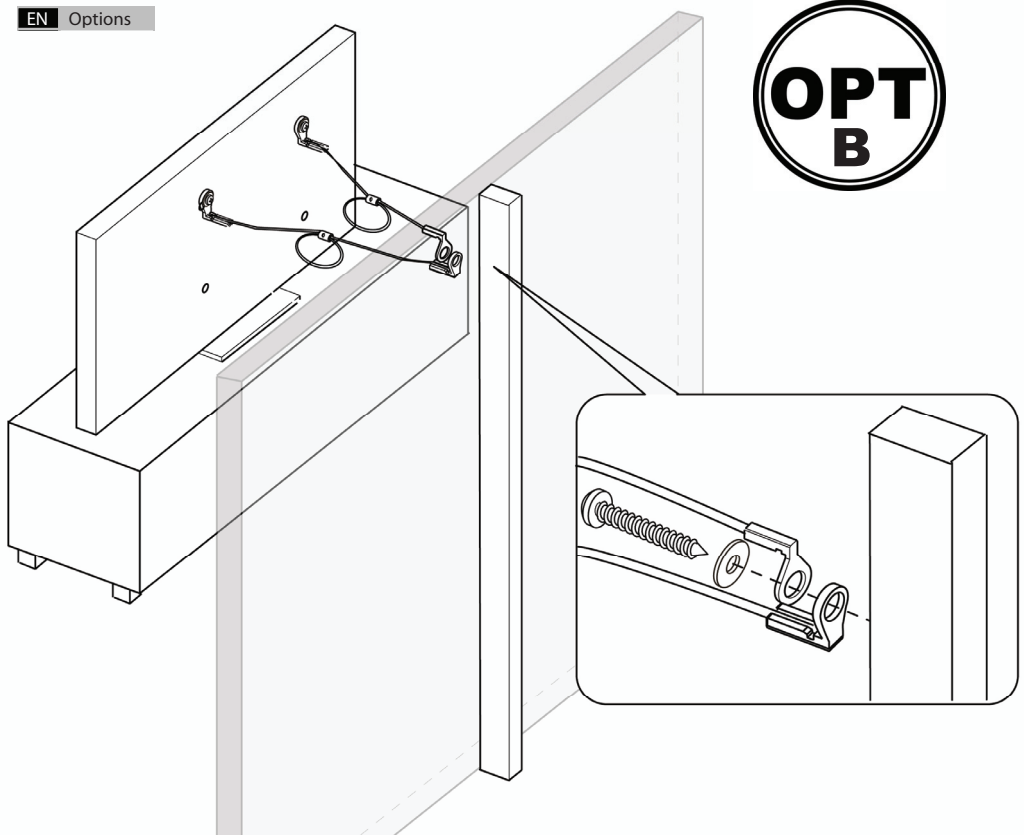
**OPT
A**



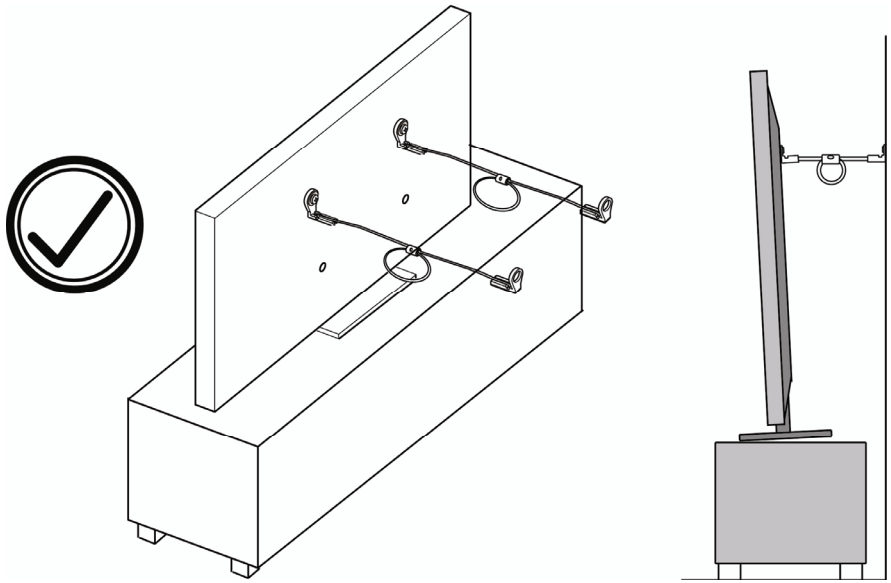
SINGLE STUD INSTALLATION

EN Options

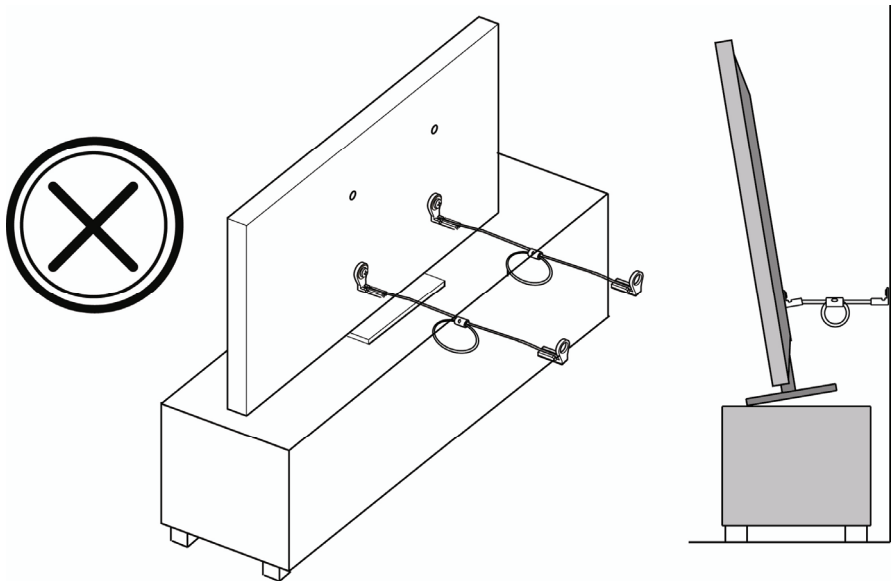
**OPT
B**



CORRECT CONFIGURATION

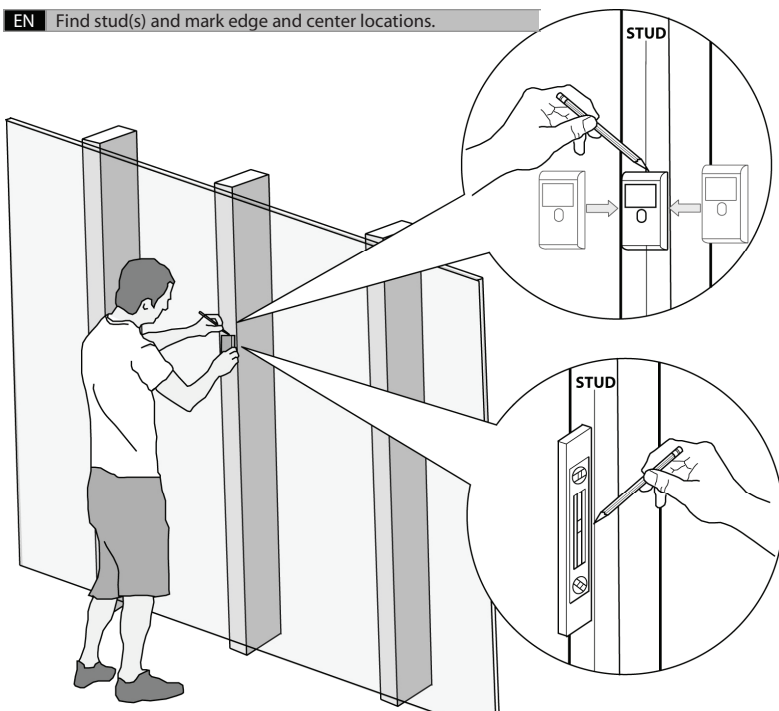


INCORRECT CONFIGURATION



WOOD STUD

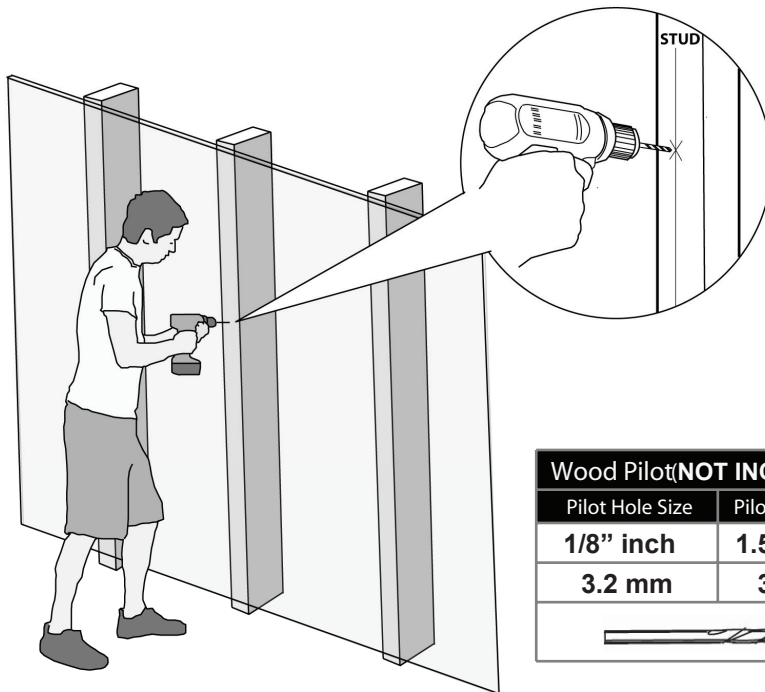
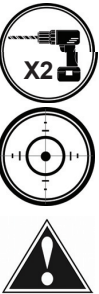
EN Find stud(s) and mark edge and center locations.



WOOD STUD INSTALLATION

EN Wood Stud Wall Installation

Drill pilot hole



Wood Pilot (NOT INCLUDED)

Pilot Hole Size	Pilot Drill Depth
1/8" inch	1.5 inch
3.2 mm	38 mm

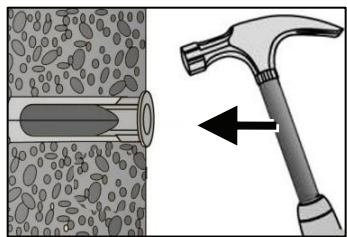
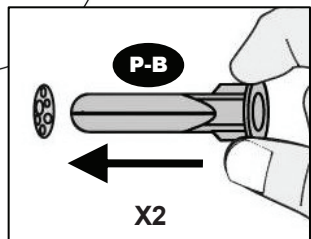
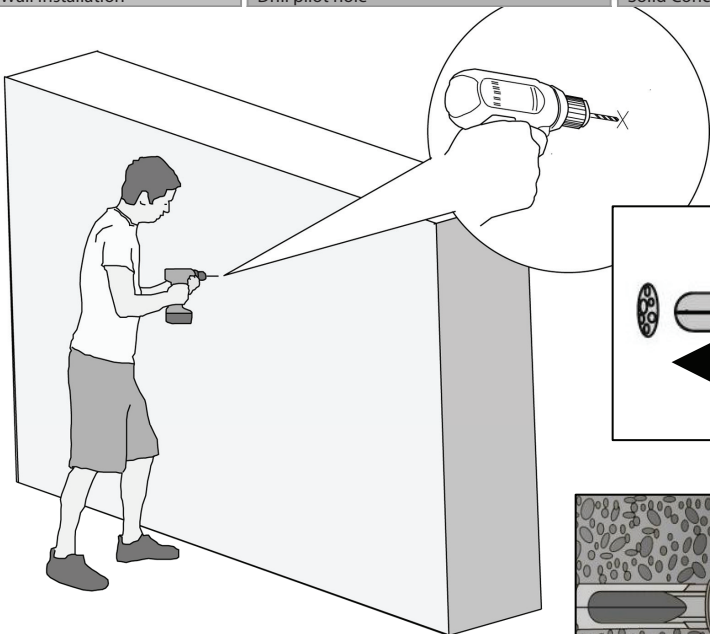


CONCRETE INSTALLATION

EN Concrete Wall Installation

Drill pilot hole

Solid Concrete



Concrete Pilot (INCLUDED)

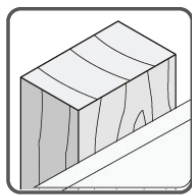
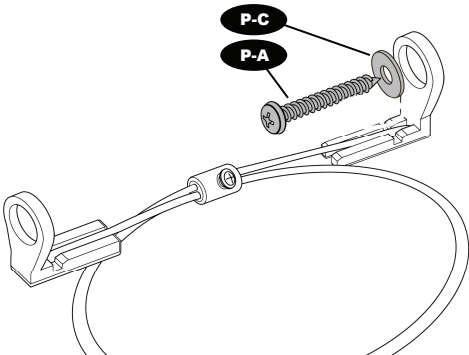
Pilot Drill Depth

P-J



1.5" inch (38 mm)

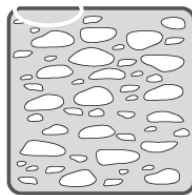
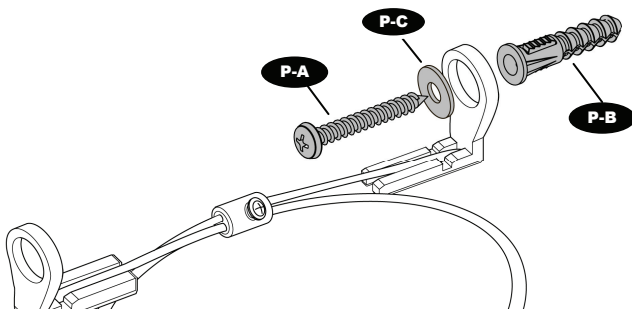
WOOD STUD INSTALLATION



wood stud



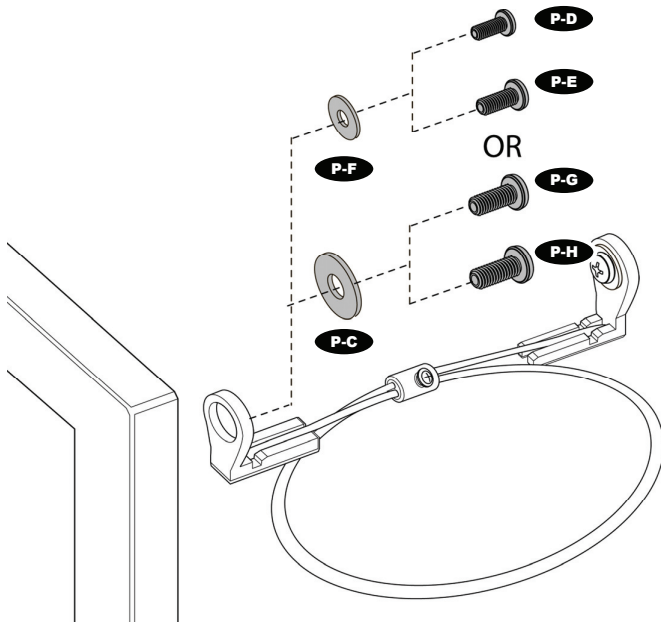
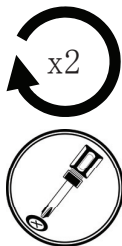
CONCRETE INSTALLATION



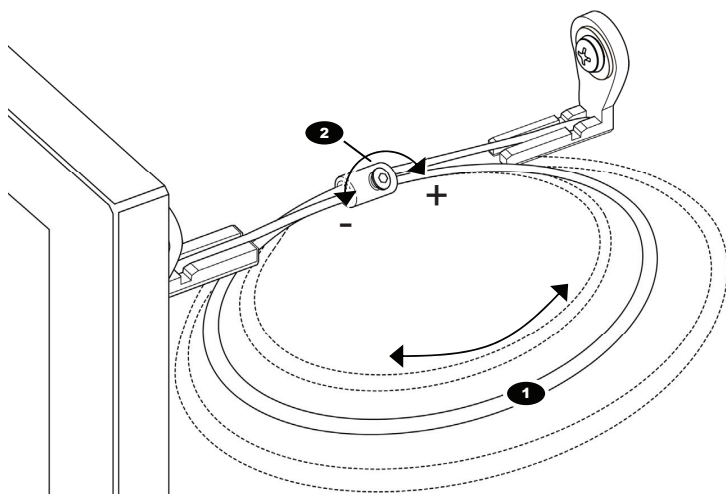
solid concrete



INSTALL MONITOR SCREWS



REMOVE SLACK FROM CABLES



EN Tighten Cables

Distributed by:
TechBrands by Electus Distribution Pty.Ltd.
NSW 2116 Australia
Ph: 1300 738 555
Int'l: +61 2 8832 3200
Fax: 1300 738 500
www.techbrands.com