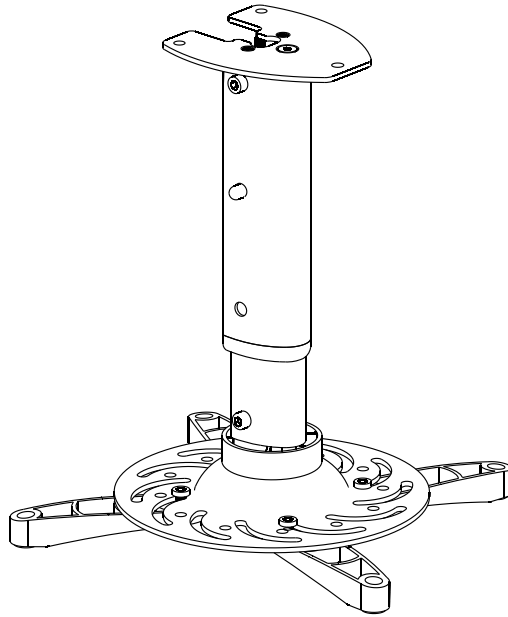


Installation Instruction



UNPACKING INSTRUCTIONS

- Carefully open the carton, remove contents and lay out on cardboard or other protective surface to avoid damage.
- Check package contents against the Supplied Parts List in the next page to assure that all components were received undamaged. Do not use damaged or defective parts.
- Carefully read all instructions before attempting installation.

IMPORTANT SAFETY INFORMATION

Install and operate this device with care. Please read this instruction before beginning the installation, and carefully follow all instructions contained herein. Use proper safety equipment during installation.

Please call a qualified installation contractor for help if you:

- If you don't understand these directions or have any doubts about the safety of the installation.
- If you are uncertain about the nature of your ceiling, consult a qualified installation contractor.

Do not use this product for any purpose or in any configuration not explicitly specified in this instruction. We hereby disclaims any and all liability for injury or damage arising from incorrect assembly, incorrect mounting, or incorrect use of this product.



WARNING

CAUTION!

This projector mount must be securely attached to the ceiling. If the mount is not properly installed it may fall, resulting in possible injury and/or damage.

Tools Required

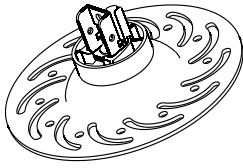
■ 3.8mm Drill Bit

■ 8mm Masonry Bit

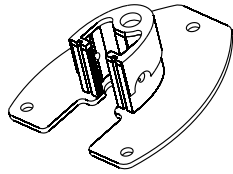
■ Phillips Screwdriver

Note: The mounting components and hardware supplied in this package are not designed for installations to ceiling with steel studs or to cinder block . If the hardware you need for your installation is not included, please consult your local hardware store for proper mounting hardware for the application.

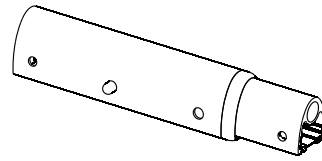
Supplied Parts List



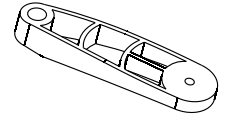
(1) Projector Mount Plate-a



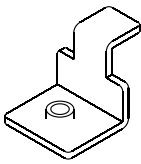
(1) Ceiling Plate-b



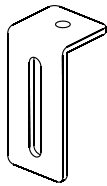
(1) Extension Tube Set-c



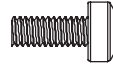
(4) Aluminum Feet-d



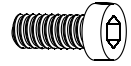
(4) Hardware 1-e



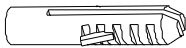
(4) Hardware 2-f



(4) M5x14 Bolt-g



(8) M6x16 Hexangle Head Bolt-h



(3) Concrete Anchor-i



(3) Lag Bolt-j



(4) M4x12 Bolt-k



(4) M4x18 Bolt-l



(4) M3x12 Bolt-m



(4) M3x16 Bolt-n



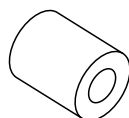
(4) M4 Washer -o



(4) M3 Washer -p

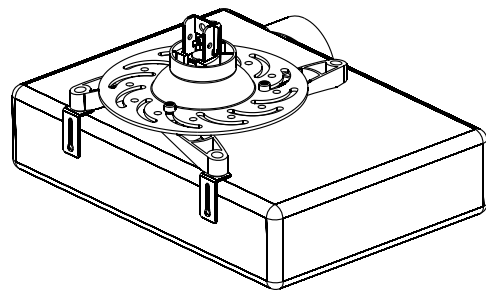
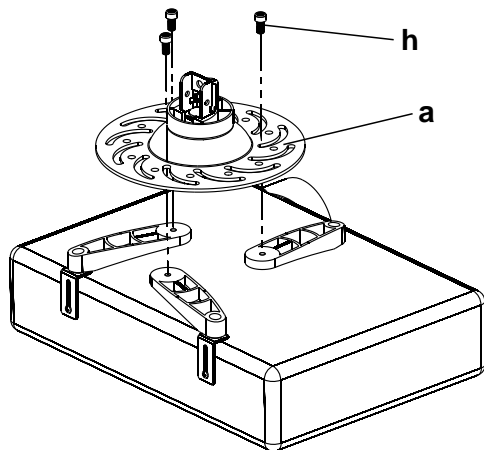
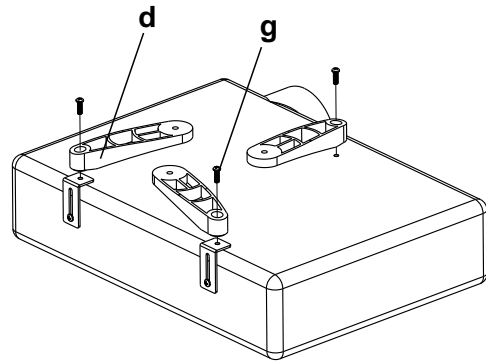
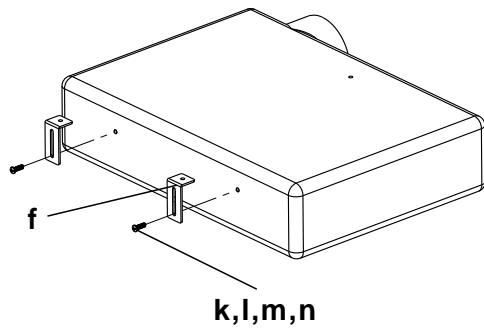


(1) Allen Wrench-q

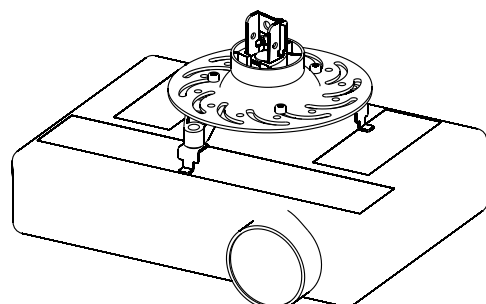
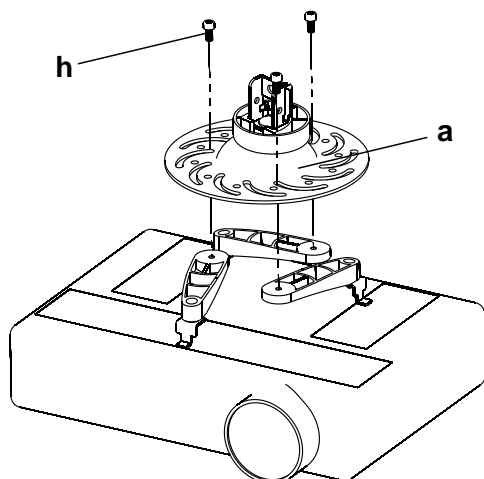
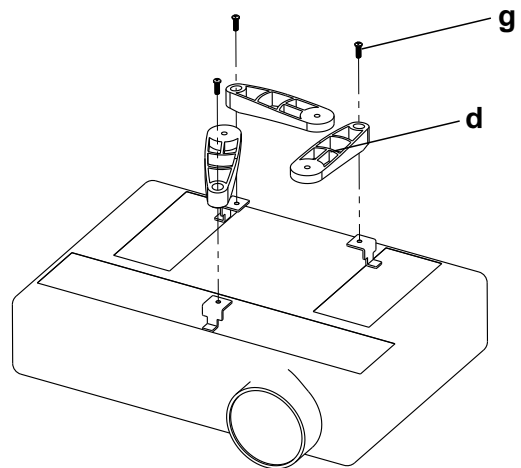
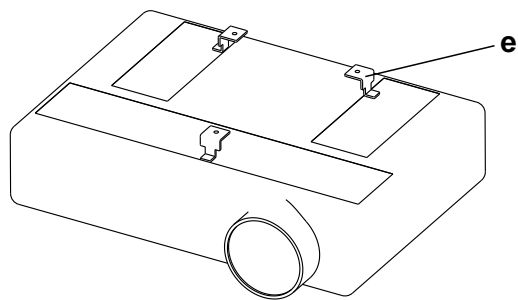


(4) M3/M4 Space-r

FEET INSTALLATION OPTION 1



FEET INSTALLATION OPTION 2



More Installation Instruction

