

SPECIFICATION

MODEL NO :	(RoHS Compliant)	Date: 29-11-2017
------------	-------------------	------------------

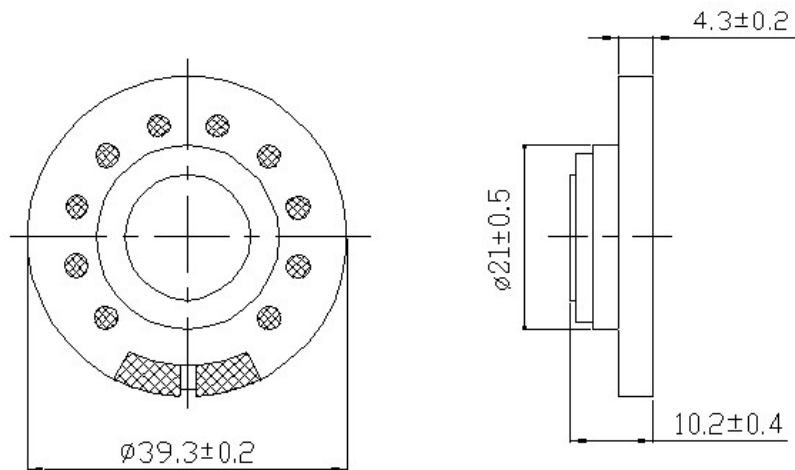
DESCRIPTION: PLASTIC FRAME				SIZE :Φ 40mm
NO	項目 ITEMS	規格 SPECIFICATIONS	測試條件 CONDITIONS	
1	音圈阻抗 VOICE COIL IMPEDANCE	8Ω ±15%		
2	音圈尺寸 VOICE COIL SIZE	Φ5.8mm		
3	音盆 CONE	MYLAR	RADIAL CONE	
4	動作 OPERATION	MUST BE NORMAL (without distortion)	AT 1000 Hz / rated power / sine wave	
5	異常音 SWEEP TEST	MUST BE NORMAL (without distortion)	At rated freq. range / rated power / sine wave	
6	共振頻率 RESONANT FREQ. (F0)	260Hz ± 25%	WITHOUT BAFFLE	
7	特性靈敏度 OUTPUT S.P.L.	88 ±3 dB MEAN VALUE (at rated freq. range)	AT 0.1W / 0.1M MEASUREMENT Average of F0, 1K 2K & 3K (Hz)	
8	頻率範圍 RATED FREQ RANGE	F0 Hz ~ 9K Hz	OUTPUT S.P.L. -10dB	
9	額定功率 RATED POWER INPUT	0.1 WATTS	AT 0.89Vrms / 48hrs (pink noise)	
10	最大功率 MAX POWER INPUT	0.25 WATTS	AT 1.41Vrms, pink noise (test 5s, stop 10s / 100 cycles)	
11	失真率 DISTORTION	< 5% MAX	RATED POWER INPUT 1000 Hz	
12	負荷試驗 LOAD TEST	AFTER TEST MEET ITEM 4&5	PINKNOISE 0.1W IN 48HOURS	
13	耐熱試驗 HEAT TEST(STORAGE)	AFTER TEST MEET ITEM 4&5	55°C±2°C 20%--25% RH 48HOURS	
14	耐濕試驗 HUMIDITY TEST(STORAGE)	AFTER TEST MEET ITEM 4&5	40°C±2°C 90%--95% RH 48HOURS	
15	耐寒試驗 COLD TEST(STORAGE)	AFTER TEST MEET ITEM 4&5	-20°C±2°C 20%--25% RH 48HOURS	
16	磁鐵 MAGNET	DAL φ 21 mm xφ 7mm x 5mm		
17	大概重量 APPROX. WEIGHT	NET : 12.g ±2g		
18	操作溫度 OPERATING TEMP. RANGE	-20°C±3°C TO 50°C±2°C		
19	備註 REMARKS			

Confirm to Directive 2011/65/EU on Restriction of Hazardous Substances (RoHS).

- 1) Cadmium in amounts not exceeding 100 ppm by weight of homogeneous material.
- 2) Lead, Mercury, Hexavalent Chromium, Polybrominated Biphenyls(PBB) and Polybrominated Diphenyl Ethers(PBDE), in amounts not exceeding 1000 ppm by weight of homogeneous material.

P/N : **1** (RoHS Compliant)

Product outside view:



Unit: mm

TEST CONDITION:

Voltage = 0.89V
Distance = 0.1 M
Power = 0.1 W
Impedance = 8 Ω

Frequency Response Curve

