

digitech

# Portable HD LED Projector

with Built-in Speakers



Model:  
AP4010

# Instruction Manual

# Table of Contents

<b>Portable HD LED Projector</b>	<b>2</b>
In the Box	2
Mains Power	2
Top View	3
Rear View	4
Left Side View	4
Remote Control	5
<b>Quick Setup</b>	<b>6</b>
Picture Menu	6
Audio menu	7
Options Menu	7
Time Menu	8
<b>Operation</b>	<b>9</b>
Power	9
Projector Placement	9
Viewing Options	10
Ceiling Mount	11
Angle Adjustment	12
Image Adjustment	12
HDMI	13
Audio/Video Input	14
Micro SD & USB Storage Devices	15
Computer Video (VGA)	16
Headphone Jack/Audio Out	17
<b>Troubleshooting</b>	<b>18</b>
<b>Technical Specifications</b>	<b>19</b>

## PORTABLE HD LED PROJECTOR:

### **In the Box**

Carefully remove your HD LED Projector from the packaging.

Inside the box you will find:

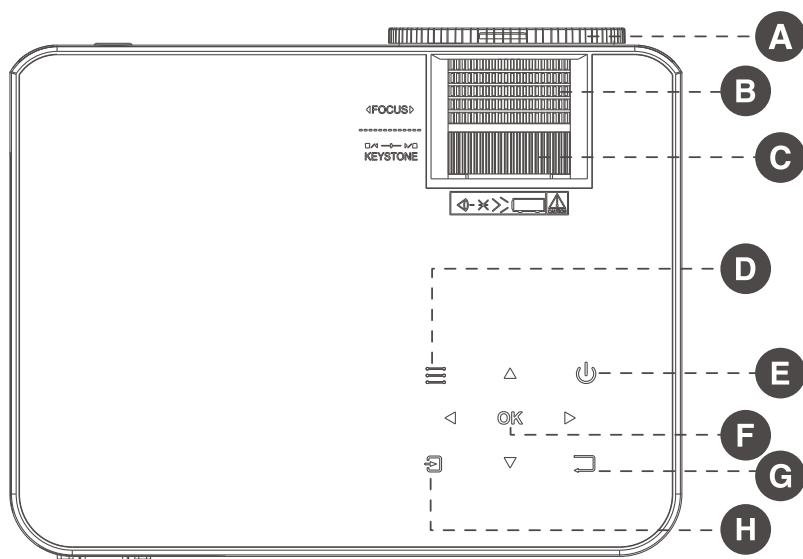
- 1 x HD LED Projector
- 1 x Power Adapter
- 1 x Remote Control: requires 2 x AAA batteries (not included)
- Instruction Manual

### **Mains Power**

Your HD LED Projector with uses a 24V/2.7A power adapter. Please ensure that your mains supply is compatible before use. Disconnect the power cord from the mains when not in use. Only use the supplied adapter to power the Projector.

## PORTABLE HD LED PROJECTOR:

### Top View

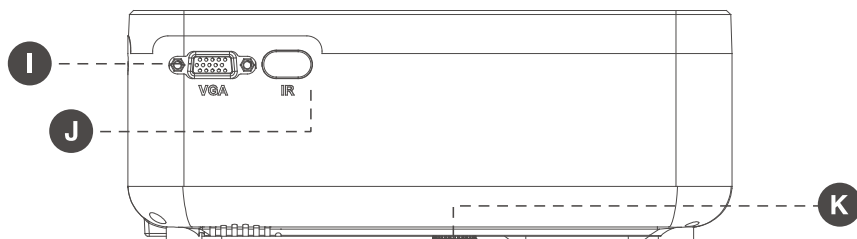


<b>A</b>	<b>Projector Lens</b>
<b>B</b>	<b>Focus Adjustment</b>
<b>C</b>	<b>Keystone Adjustment</b>
<b>D</b>	<b>Menu</b> Press to access on-screen menus and options
<b>E</b>	<b>Power</b> Press to turn ON/OFF the projector

<b>F</b>	<b>Arrows/OK</b> Press to navigate on-screen menus and make selections
<b>G</b>	<b>Return</b> Press to return to a previous page or setting in the on-screen menus.
<b>H</b>	<b>Source</b> Press to change media source mode.

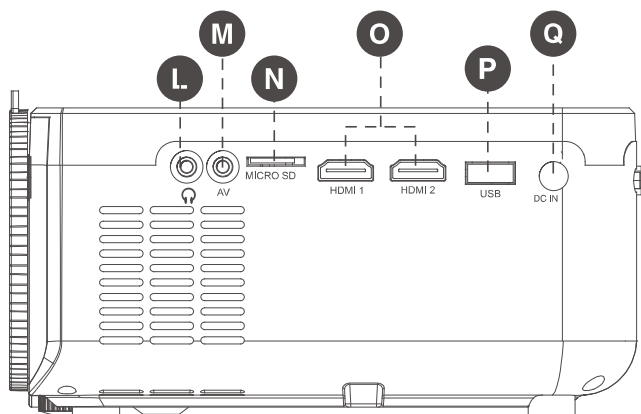
## PORTABLE HD LED PROJECTOR:

### Rear View



<b>I</b>	<b>VGA/PC Input</b>
<b>J</b>	<b>Remote Sensor</b> Duplicated on the front of the projector.
<b>K</b>	<b>Height Adjustment Peg</b>

### Left Side View



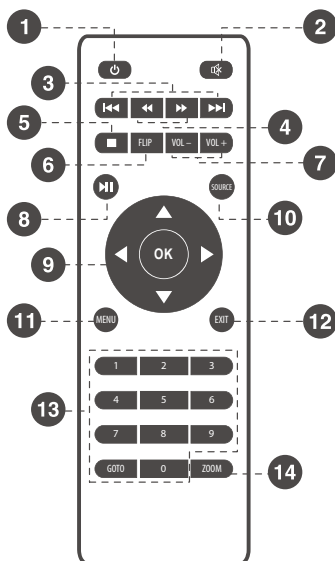
<b>L</b>	<b>3.5mm Audio Output</b>
<b>M</b>	<b>3.5mm AV Input</b>
<b>N</b>	<b>Micro SD Card Port</b>

<b>O</b>	<b>HDMI Input 1 &amp; 2</b>
<b>P</b>	<b>USB Port</b>
<b>Q</b>	<b>DC Power Port</b>

## PORTABLE HD LED PROJECTOR:

### Remote Control

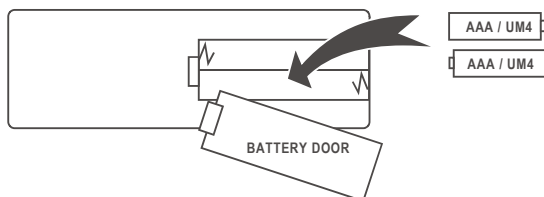
<b>1</b>	<b>Power</b> Press to ON/OFF power.
<b>2</b>	<b>Mute</b> Press to mute volume.
<b>3</b>	<b>Previous / Next</b> Press to skip between chapters or tracks.
<b>4</b>	<b>Back / Fwd</b> Press to search through an individual chapter or track.
<b>5</b>	<b>Stop</b> Press to stop playback.
<b>6</b>	<b>Flip</b> Press to flip display image 180°.
<b>7</b>	<b>VOL+ / VOL-</b> Press to adjust audio level.
<b>8</b>	<b>Play/Pause</b> Press to play or pause an individual chapter or track.
<b>9</b>	<b>Arrows/OK</b> Press to navigate and confirm selections in Settings and other menus.
<b>10</b>	<b>Source</b> Press to select media source AV, HDMI, SCREEN MIRRORING, PC, MEDIA



<b>11</b>	<b>Menu</b> Press to access projector Settings.
<b>12</b>	<b>Exit</b> Press to exit menus.
<b>13</b>	<b>Go To/Number Keypad</b> Press to enter specific chapter or track numbers. Use Play button to begin playing.
<b>14</b>	<b>Zoom</b> Press to zoom display image in or out.

### Batteries

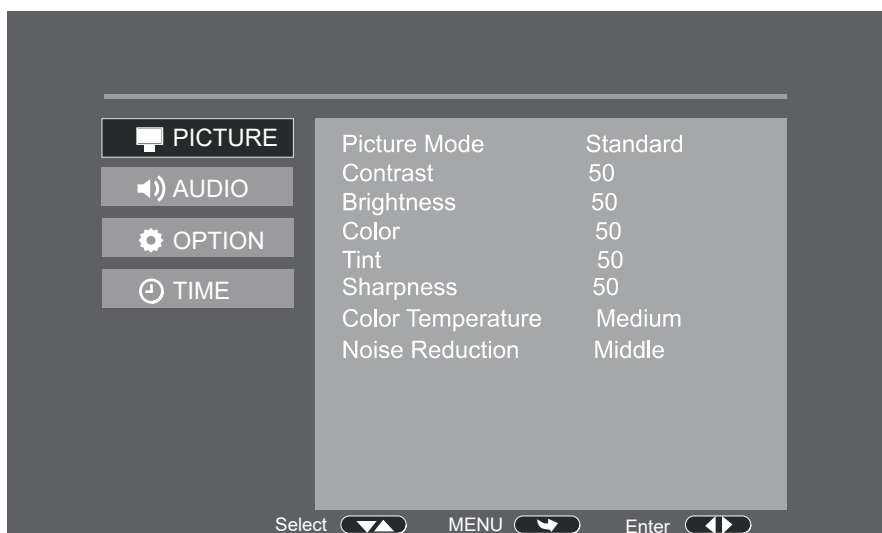
Requires 2 x AAA batteries (not included).



## QUICK SETUP:

### Picture Menu

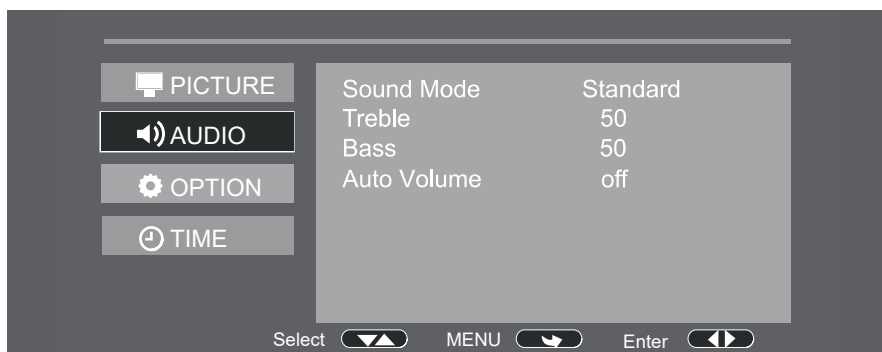
1. **Picture Mode:** Select Dynamic, User (custom), Mild, or Standard.
2. **Contrast, Brightness, etc:** Set Picture Mode to “User” to adjust these settings.
3. **Color Temperature:** Select Warm, Cool, or Medium.
4. **Aspect Ratio:** 16:9, 4:3, Auto.
5. **Noise Reduction:** Select low, middle, high, default, off.



## QUICK SETUP:

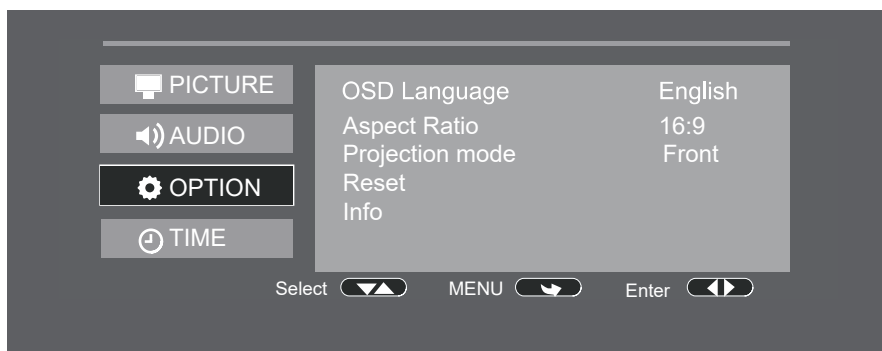
### Audio Menu

1. **Sound Mode:** Select Music, Movie, User (custom), Sports, or Standard.
2. **Treble, Bass:** Set Sound Mode to “User” to adjust these settings.
3. **Auto Volume:** Turn Auto Volume ON or OFF.



### Options Menu

1. **OSD Language:** Select English, French, or Spanish for the On Screen Display.
2. **Aspect Ratio:** 16:9, 4:3 and etc.
3. **Projection Mode:** Flip and mirror the screen image.
4. **Reset:** Reset the projector & restore all of the default settings.
5. **INFO:** Show the version.





## QUICK SETUP:

### Time Menu

#### 1. Sleep Timer

Select sleep timer to Off, 10min, 20min, 30min, 60min, 90min, 120min, 180min, 240min

#### 2. Auto Sleep

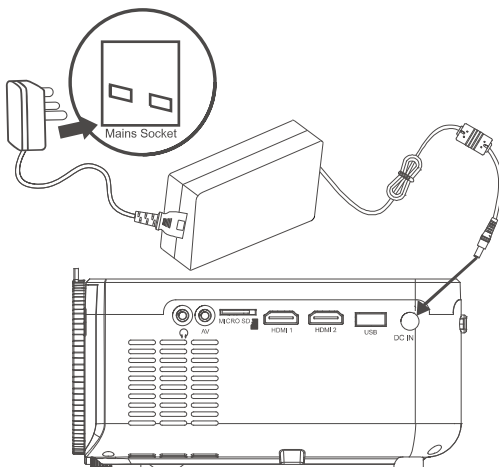
Select auto sleep function to Never, 4 hours, 6 hours, 8 hours.



## OPERATION:

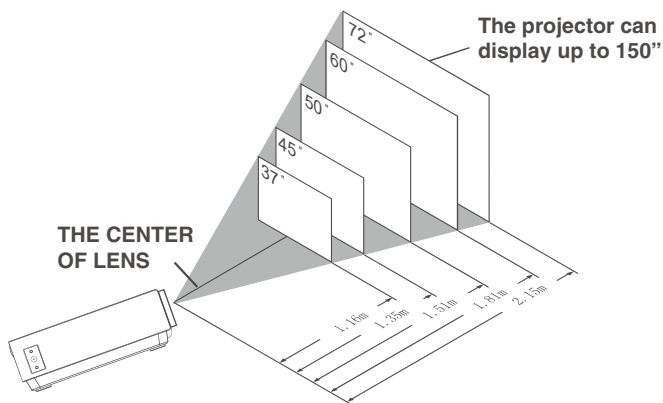
### Power

Plug the AC/DC power adapter (included) into a standard wall outlet and the DC power input on the left side of the unit. After connecting power, please allow approximately 5 seconds to pass before powering the unit ON.



### Projector Placement

For best results, place the projector in a dark room or other dimly lit area. Use the unit with a dedicated projector screen for best picture resolution. If placing the projector behind the viewing screen (unit in front of/projecting toward viewers), a special screen will be required. Projector screens are not included. If you are not using the unit with a screen, a smooth, white or lightly colored surface will provide the best results.



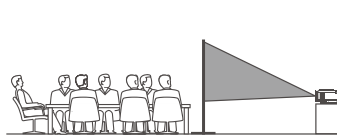
## OPERATION:

### Viewing Options

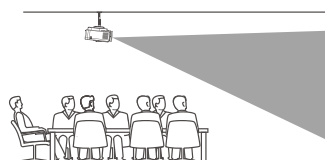
The projector can be used to project onto a wall or screen, mounted from the ceiling or on a table. When projecting from the rear position, a special screen will be needed (not included) to display the image.



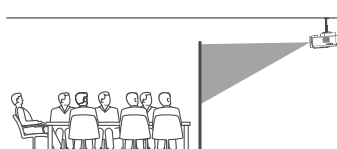
**FRONT TABLE**



**REAR TABLE**



**FRONT CEILING**



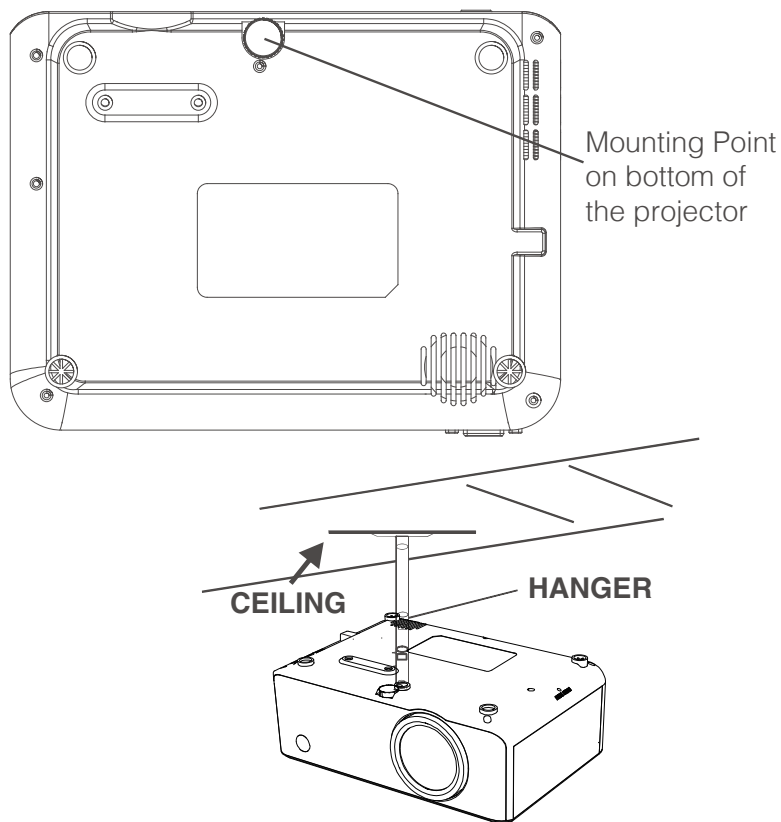
**REAR CEILING**

Be sure to aim the remote at the sensor on the front or rear of the projector.

## OPERATION:

### Ceiling Mount

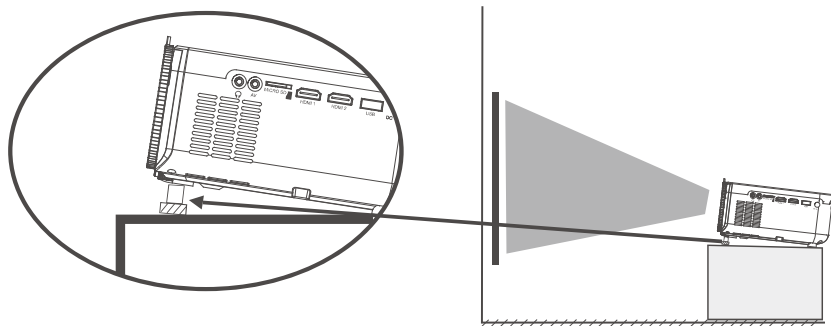
To mount the projector from the ceiling, you will need mounting hardware recommended by a professional. Mounting hardware and instructions are not included. Before mounting, be sure the ceiling structure can support the weight of the projector and the mount itself. It is recommended to have this unit mounted by a professional.



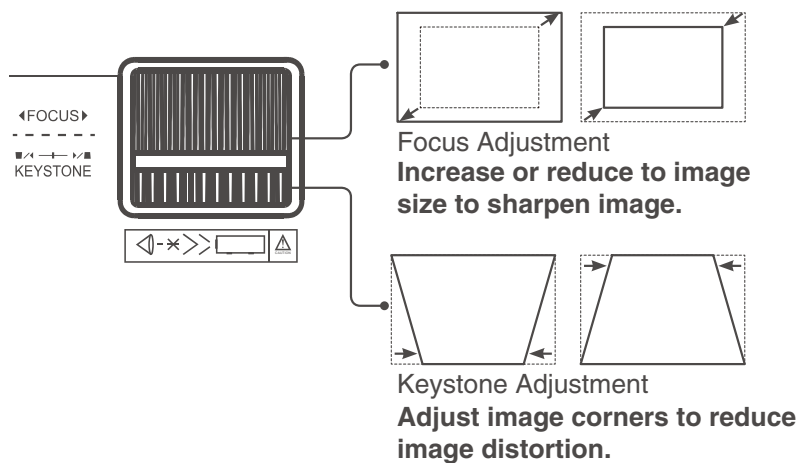
## OPERATION:

### Angle Adjustment

Use the Angle Adjustment Screw to fine tune the projector's height.



### Image Adjustment



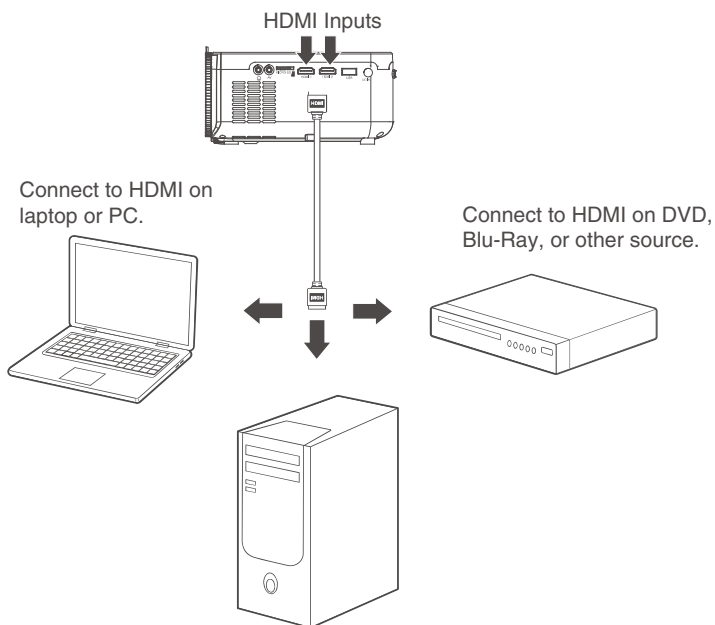
## OPERATION:

### HDMI

HDMI offers superior sound and picture quality, and is the easiest way to play media from a computer, Blu-Ray player, or other device with an HDMI output.

Requires an HDMI cable (not included) and a device with an HDMI output.

1. Using a HDMI cable, connect the HDMI 1 or 2 input on the projector to the HDMI output on your media player or computer.
2. Set the projector's Source to the connected HDMI input and use the controls on the connected device to select and play media.



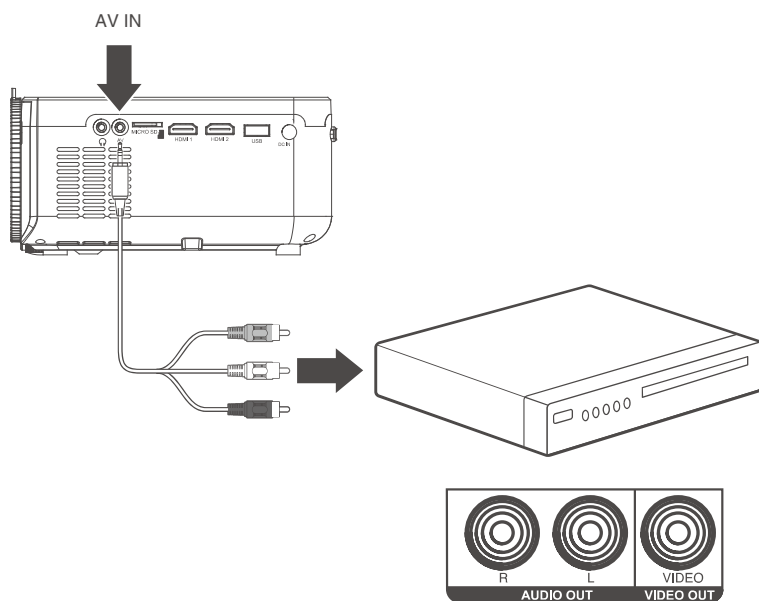
You can also connect to your mobile device using a HDMI to USB-C or Lightning Cable (not supplied).

## OPERATION:

### Audio/Video Input

Requires a 3.5mm to RCA audio/video cable (not included).

1. Connect 3.5mm jack to the AV input of unit.
2. Connect RCA jack to stereo audio output and composite video of the media player.
3. Set the projector's Source to AV and use the controls on the connected player to select and play media.



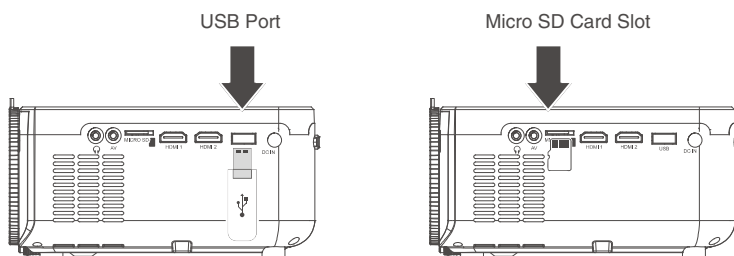
Connect AV cable (not included) to media player's AV outputs.  
Audio Left Channel - White  
Audio Right Channel - Red  
Video - Yellow

## OPERATION:

### Micro SD & USB Storage Devices

Supports Micro SD cards and USB drives up to 1TB. Supports AVI, MOV file formats.

1. Insert a USB drive and micro SD card into the USB port and micro SD card slot.
2. Set the Source to Media Player, then use the Arrow buttons to select “C:Drive” or “D:Drive” (C:Drive is the SD card, D:Drive is the USB).
3. Use the Arrow buttons to select Music/Photo/Movie, then press the OK button to begin playing content from the connected storage device.



*Note: Only certain video and audio formats are supported when using a Hard Drive/USB/SD Card.*



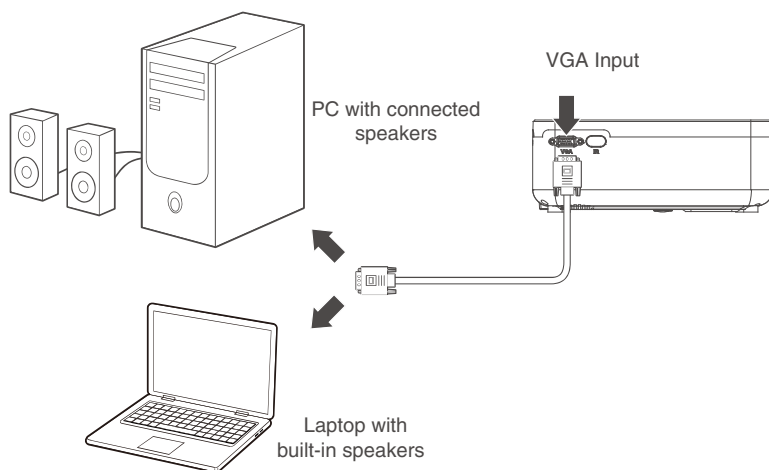
## OPERATION:

### Computer Video (VGA)

Note: VGA connections do not support audio. You will need to use the computer's speakers to hear audio.

Requires a VGA cable (not included) and a desktop PC or laptop with a VGA output.

1. Using a VGA cable, connect the VGA input on the projector to the VGA output on your computer.
2. Set the projector's Source to PC and use the controls on the computer to select and play media.

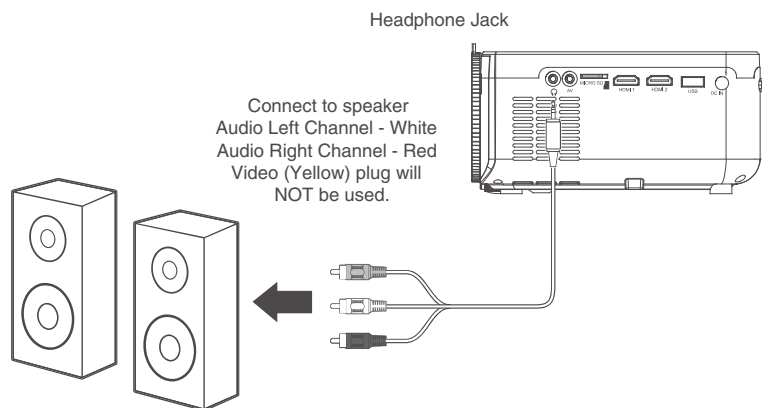


## OPERATION:

### Headphone Jack/Audio Out

Requires a 3.5 mm to RCA audio/video cable (not included) or 3.5mm audio cable (not included). Note: External speakers must have their own power supply.

1. Using a 3.5 mm to RCA stereo cable (not included), connect the external powered speakers to the Headphone Jack on the projector.
2. The projector will automatically detect the connection and send audio signal to the speakers to begin playing content from the connected storage device.



## TROUBLESHOOTING:

Issues	Solutions
The projector shuts down automatically.	Check the power adaptor is fitted firmly into the projector. In case of overheating, turn off the projector for approximately an hour to allow it time to cool completely.
No signal on screen.	Check whether the input signal source of the projector is switched to the existing signal source. Check whether there is any problem with the input signal cable. Check again whether the external signal source is output signal normally.
The projector can't be powered on.	Check whether the external power supply(AC adapter) is connected well. Press the power button from the unit to power on this unit. If not, please press the power on button from the remote to turn on.
The picture is not clear.	Manually adjust the projector's focus dial to make the image clearer. Check the projector lens isn't dusty. Adjust the resolution of the input signal.
Image trapezoidal distortion	Adjust the trapezoidal correction dial of the projector to ensure that the image projected on the screen is in a standard rectangular shape.

## SPECIFICATIONS:

Native Resolution:	1280 x 720 (720p)
Supported Resolutions:	1080P, 1080i, 720p, 576i, 480p and 480i via HDMI input
Supported Files:	
Video:	AVI, MKV, MP4, MPG, WMV, MOV, FLV
Image:	JPEG, BMP, PNG
Audio:	MP3, MP4A, WAV, AAC, WMA
Text:	TXT
Projection Type:	1 LED light source + 4" LCD display
LED Bulb Lifespan:	50,000 hours
Light Intensity:	7000 Lumens (150 ANSI lm)
Projection Distance:	1 - 7m (Viewable size: 30 - 210")
Inputs:	VGA / 2 x HDMI / USB2.0 / microSD card / AV / DC24V
Outputs:	3.5mm Audio Socket
Built-in Speaker:	5W
Power:	
Input:	AC 100-240V - 50/60Hz
Output:	DC 24.0V $\approx$ 2.7A
Dimensions:	221(L) x 168(W) x 85.5(H)mm

Distributed by:  
Electus Distribution Pty. Ltd.  
320 Victoria Rd, Rydalmere  
NSW 2116 Australia

[www.electusdistribution.com.au](http://www.electusdistribution.com.au)

Made in China