

## CONTENTS

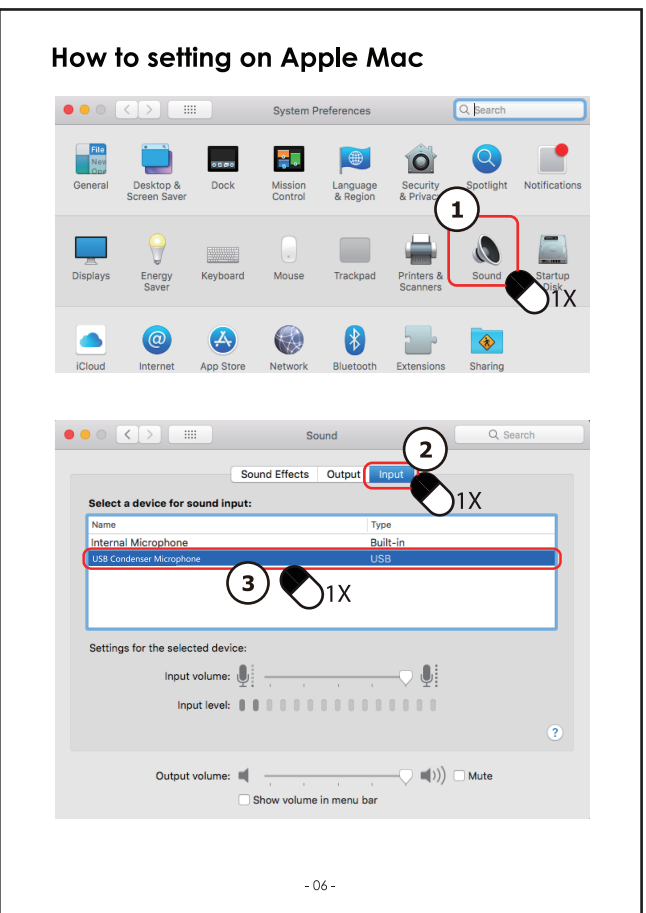
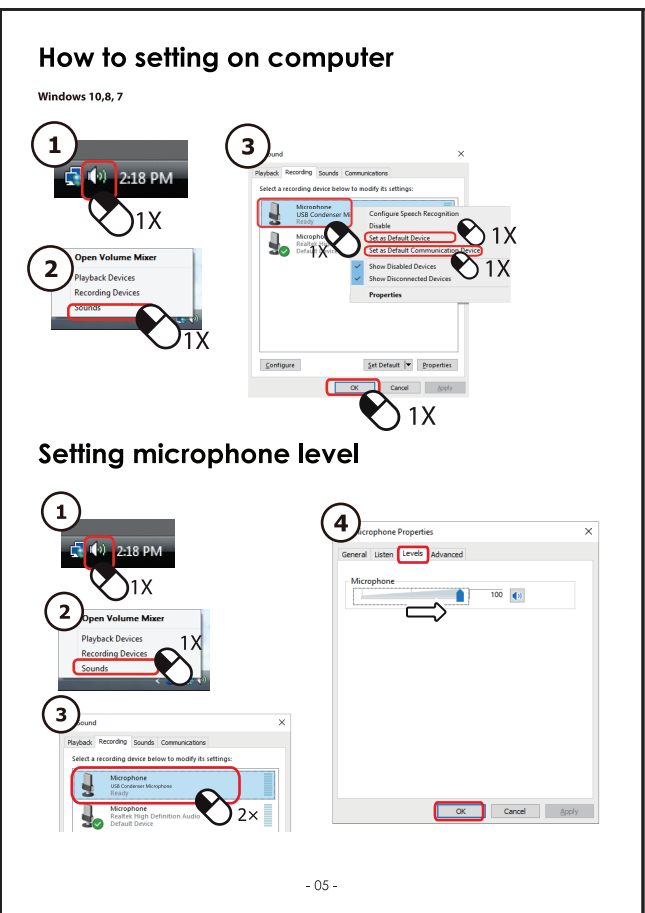
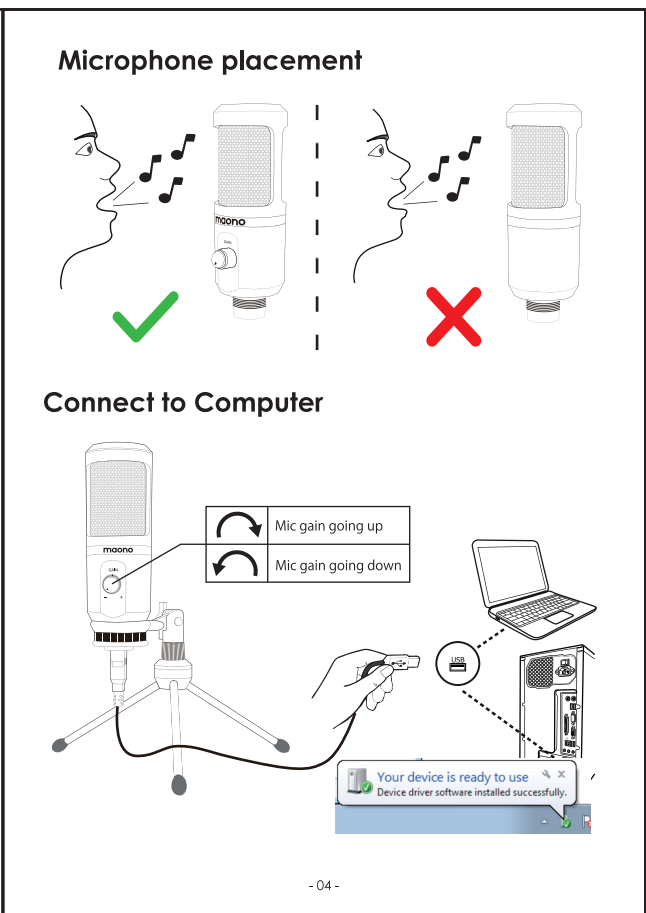
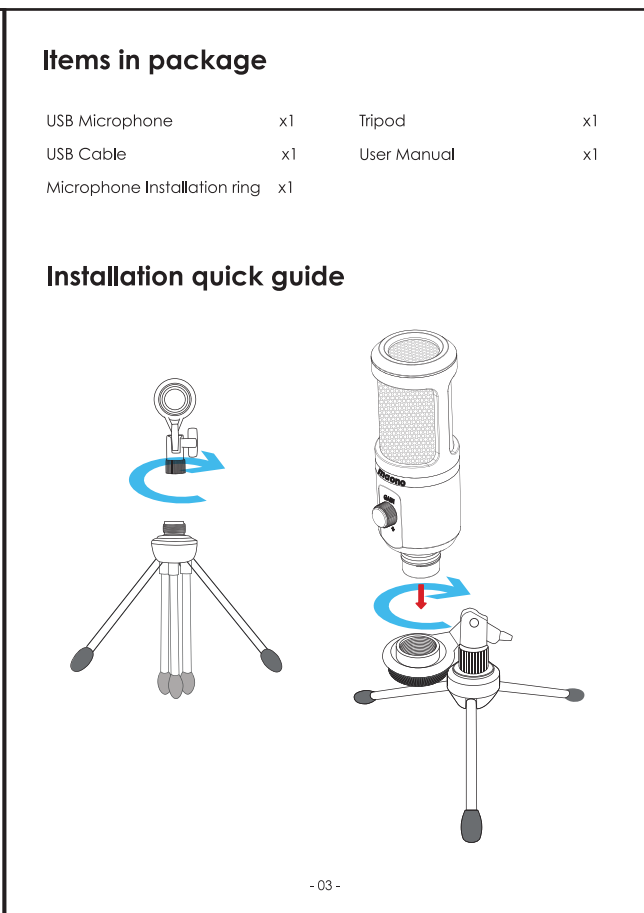
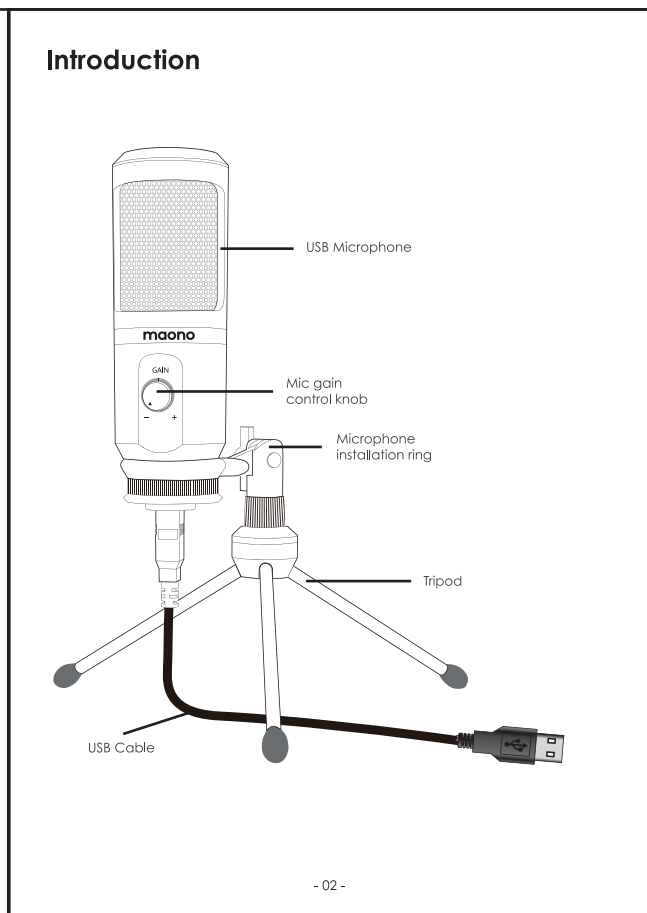
English ..... 01-06

### Specification

|                    |   |
|--------------------|---|
| Microphone-core    | D10, 14mm Condenser                         |
| Polar Pattern      | Cardioid                                    |
| Frequency Response | 20Hz-20KHz                                  |
| Sensitivity        | -13.5dBFS -0.5dBFS (±3dB, 94dB SPL at 1kHz) |
| Maximum SPL        | 93.5dB                                      |
| S/N Ratio          | 60dB  |
| Cable              | USB A to B cable                            |

-01-



Model : AU-PM461TR

**Technical support:**  
support@maono.com  
www.maono.com

CE UK CA

**EC REP**

Company: Sheng Qi Audio Equipment Co., Ltd.  
Address: 11288, 84th Avenue, NE 20th Street, Bellevue, WA 98004, USA  
E-mail: support@maono.com

**UK REP**

Company: Sheng Qi Audio Equipment Co., Ltd.  
Address: 11288, 84th Avenue, NE 20th Street, Bellevue, WA 98004, USA  
E-mail: support@maono.com  
Tel: +86 571 82020000