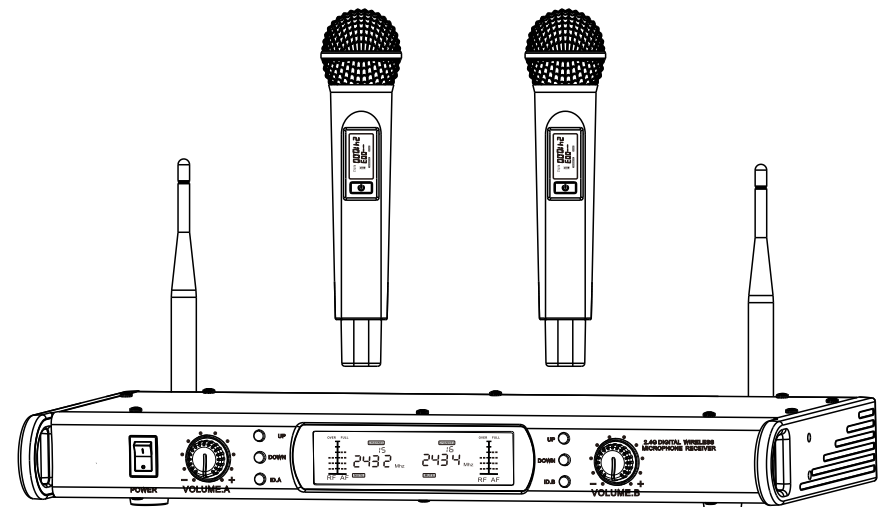


MODEL:AM-4160

## Product list

- 1, Receiver ..... X1
- 2, Microphone ..... X2
- 3, Audio cable .....X1
- 4, Power adapter .....X1
- 5, 1.5 V battery ..... X4
- 6, User manual .....X1

## OPERATION MANUAL



# CONTENT

CONTENT.....	1
BRIEF INTRODUCTION.....	2
MAIN FEATURE.....	2
CONTROL AND FUNCTION LIST (RECEIVER).....	2
OPERATION OF RECEIVER.....	3
LCD DISPLAY.....	4
HAND MIC OPERATION.....	5
TECHNIQUE SPECIFICATION.....	6

## 7.TECHNIQUE SPECIFICATION

COMPREHENSIVE PERFORMANCE  
CARRIER FREQUENCY: 2.404-2.474GHz  
AVAILABLE CH: 16 CHANNELS  
BRAND RANGE: 2MHz  
DYNAMIC RANGE: 85dB  
TOTAL HARMONIC DISTORTION: <0.1%

RECEIVER:  
POWER SUPPLY: DC17V  
CONSUMPTION POWER: 2W  
SIGNAL NOISE RATIO: >95dB  
RECEIVING SENSITIVITY: -80dBm

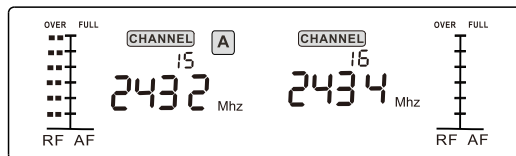
HAND MIC:  
TRANSMITTER POWER: 10mW  
MODULATION TYPE: GFSK  
ULTRAHARMONICS: -20dBm  
BATTERY VOLTAGE: 2\*1.5V AA BATTERY  
CONTINUOUS USING : >5 HOURS

## ●INSTRUCTION OF LCD DISPLAY

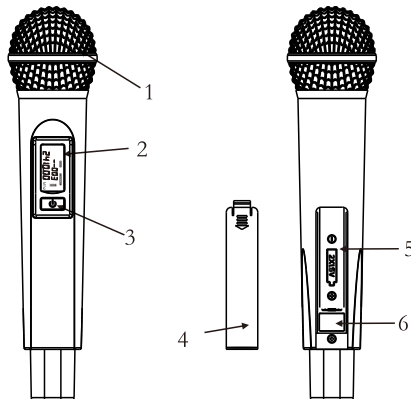
	RF: Indicate signal level AF: Indicate audio level
	Ch 15: Indicate the current working channel
	Indicate the using Channel A or B, IR sync sign
	Using frequency

## ●CHANNEL SELECTION OPERATION:

Press UP or DOWN button to choose the channel you want. Please be attention that the A&B channel cannot use the same frequency at the same time.



## 6.OPERATION OF HAND MIC



- 1、 Grill
- 2、 LCD display
- 3、 Power switch
- 4、 Battery cover
- 5、 Battery sink
- 6、 Sync spot

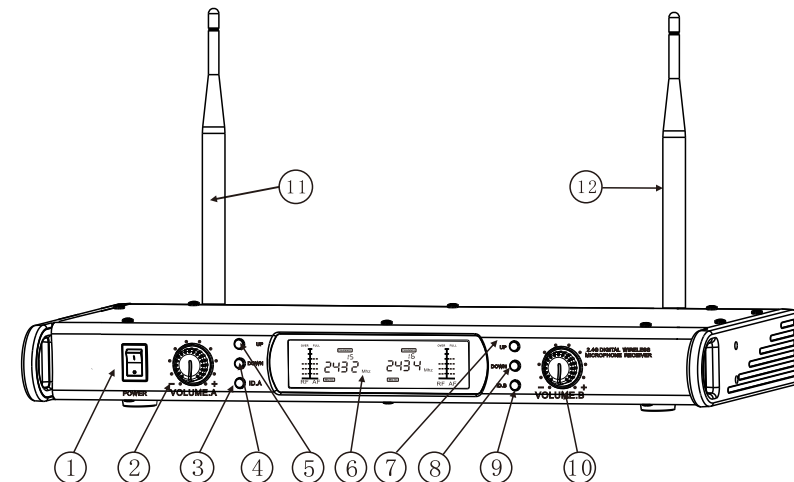
## 1.BRIEF INTRODUCTION

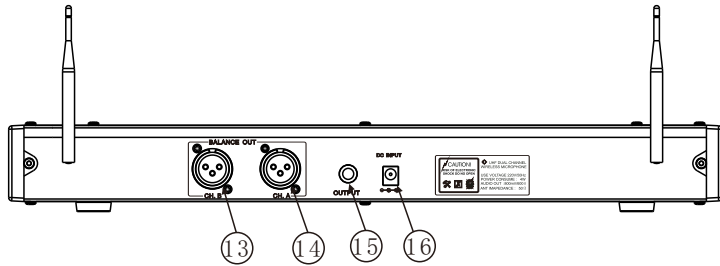
This digital wireless microphone system has adopt ISM 2.4G digital Audio Frequency, automatically filters out radio interference. It presets 16 selectable channels. The comprehensive application of digital audio processing technology makes sound natural and clear. And the smart ID code identifying synchronization technology makes installation more easily.

## 2.MAIN FEATURE

- 2.4GHz ISM band frequency
- GFSK modulation
- Using distance: 30M in no obstacle space
- Audio Format: 16bit, 38.4KHz
- No RF noise
- Lower battery consume, battery can be used more than 5 hours
- Available CH: 16 channels.

## 3.CONTROL AND FUNCTION LIST (RECEIVER)

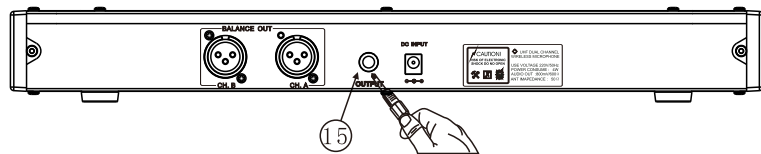





1. POWER
2. CH.A VOLUME CONTROL
3. ID A
4. ID A DOWN BUTTON
5. ID A UP BUTTON
6. LCD DISPLAY
7. ID B UP BUTTON
8. ID B DOWN BUTTON
9. ID B
10. CH.B VOLUME CONTROL
11. ANT. A
12. ANT. B
13. CH. B BALANCE OUT
14. CH.A BALANCE OUT
15. MIX OUTPUT
16. DC INPUT

#### 4. OPERATION OF RECEIVER

- Connection of power adaptor  
Used the adapter to connect DC input jack (16).
- AUDIO OUTPUT CONNECTION  
MIX OUTPUT: Insert the audio cable to output jack(15) and the other side to connect Mixer or Amplifier.  
connect MIX audio or Amplifier MIX IN or AUX IN

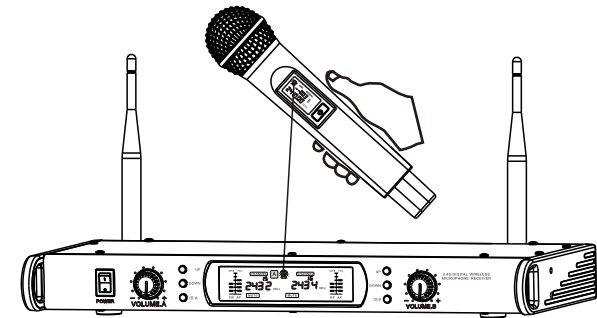


- IR SYNC STEP:  
(Under operating situation)  
Step 1: Put 2\*1.5V AA batteries into the microphone sank and turn on the microphone.

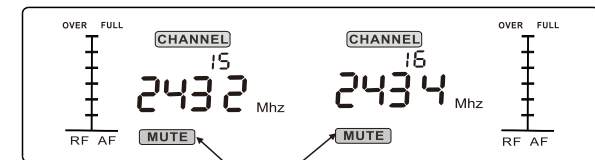
Step 2: Press the ID button on receiver until you see the signal  at this time, you could hear the beep. Then double press the microphone power button, the microphone indicator will flash.

Step 3: When the sound disappear and the microphone indicator stop flashing, then the microphone are under the working condition.

#### FREQUENCY DIAGRAM



#### 5. LCD DISPLAY



Icon flashes