

# ***PROFESSIONAL***

2.4G DIGITAL WIRELESS MICROPHONE SYSTEM

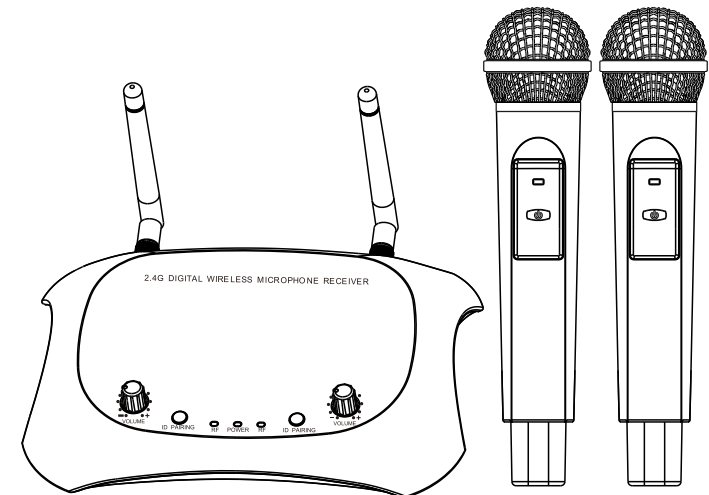
2.4G DIGITAL WIRELESS MICROPHONE SYSTEM

**MODEL:AM-4155**

## **SYSTEM COMPOSITION**

- 1.Receiver .....x1
- 2.Hand Microphones ....x2
- 3.1.5V Battery .....x4
- 4.Power Adaptor .....x1
- 5.Operation manual .....x1

## **OPERATION MANUAL**



Before using the machine please read this owner's manual carefully

# CONTENT

CONTENT.....	1
SYSTEM COMPOSITION.....	1
BRIEF INTRODUCTION.....	1
MAIN FEATURE.....	1
CONTROL AND FUNCTION LIST(RECEIVER).....	2
OPERATION OF RECEIVER.....	3
HAND MIC OPERATION.....	5
TECHNIQUE SPECIFICATION.....	5
CAUTIONS.....	6

## Warm Suggestion:

Thank you for choosing our excellent wireless microphone series products, please read this manual before using.

## 1. BRIEF INTRODUCTION

This digital wireless microphone system has adopted the global open common ISM 2.4G band frequency, it has 16 channels without national & regional restrictions. With high performance processors, full digital processing, advanced data compression algorithm, and data error correction algorithms, and advanced wireless data transfer protocol, it ensures a high true sound, and the distance, noise and stability. Each microphone has its own ID code that ensures no interference when used together.

## 2. MAIN FEATURE

- 2.4GHz ISM band frequency
- GFSK MODULATION
- Using distance: 20-30M
- Audio Format: 16bit, 38.4KHz
- No RF noise
- Lower battery consume, Battery can use > 5 hour
- Available CH: 16 channels.



## Declaration:

This equipment is wireless electronic products, it can generate, use and radiate wireless frequency energy, if not installed and used in accordance with instructions contained in this manual, may cause harmful interference to wireless products communications, please use it in accordance with the local statute. We will provide a number of products with different frequencies, please choose the right one which complies the local requirement. We will take no responsibilities if any problem caused by breaking local statutes.

However, there is no guarantee that interference will not occur in a particular installation. If it happens, the user is encouraged to try to correct the interference by one or more following measures:

- RELOCATE OR RELOCATE THE RECEIVING ANTENNA
- CHANGE THE WORKING FREQUENCY
- CHECK THE SURROUNDING TO SEE IF ANY SAME OR SIMILAR FREQUENCY IS WORKING
- CONSULT THE DEALER OR EXPERIENCED AUDIO TECHNICIAN

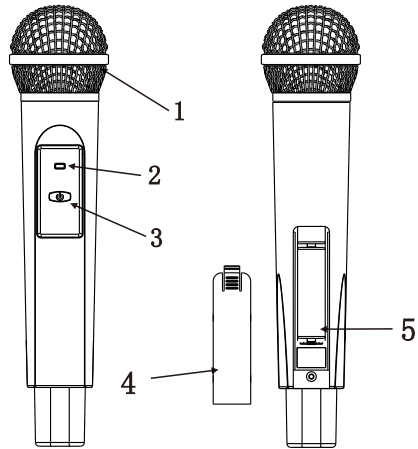
## Copyright:

This manual is copyrighted with all rights reserved. No portion of this manual may be copied or reproduced by any means. Besides, all specifications and information is only for reference, we will not inform if updated.

## Noted:

- Avoid putting the receiver in a blind angle to make sure the signal receiving in good condition
- Please don't throw, fall, flap, toss while it is working in case of damages.
- The machine is not waterproof, you must avoid dropping it into water or suffering rains.
- Please keep the machine from direct sunshine and put it in a place as far as possible from the magnetic field.
- Please insert the battery with the right polarity, and must take out the battery out of the transmitter if not use for time in case of leaking.
- Pull out the AC adapter after using the receiver.
- When replace a battery, please turn off the transmitter first.
- Don't open it by yourself, may the high voltage will hurt you.
- There is no repair component exists, please do not open the receiver, or you will lose the right of repairing.
- Use the soft cloth to clean the machine, when something hard to clean, you can use the neutral scour, but must not use the volatilized gasoline or thinner.

## 5. OPERATION OF HAND MIC



- 1、 Grill
- 2、 Power indicator
- 3、 Power switch
- 4、 Battery cover
- 5、 Battery sink

## 6. TECHNIQUE SPECIFICATION

### ● COMPREHENSIVE PERFORMANCE

CARRIER FREQUENCY:	2.404-2.474GHz
AVAIBLE CH:	16 CHANNELS
BAND RANGE:	2MHz
DYNAMIC RANGE:	85dB
TOTAL HARMONIC DISTORTION:	<0.1%

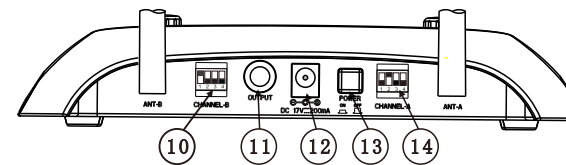
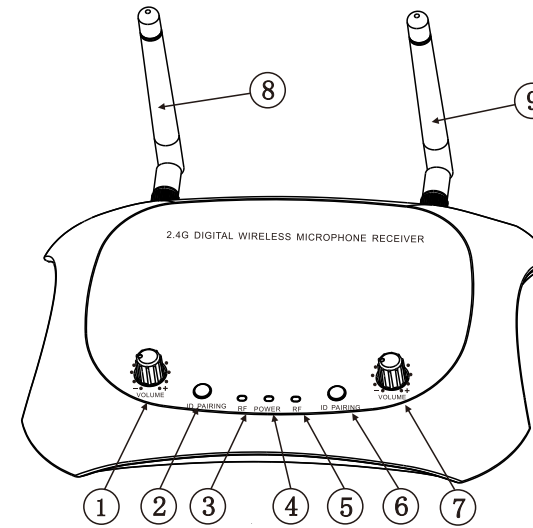
### ● RECEIVER:

POWER SUPPLY:	DC12-17V
COMSUME POWER:	2WATT
SIGNAL NOISE RATIO:	>95dB
RECEIVING SENSITIVITY:	-80dBm

### ● HAND MIC:

TRANSMITTER POWER:	10mW
MODULATION TYPE:	GFSK
ULTRAHARMONICS:	<20dB
BATTERY VOLTAGE:	2x1.5V AA BATTERY
BATTERY LIFE :	5 HOURS

## 3.RECEIVER



- |              |             |
|--------------|-------------|
| 1.VOLUME     | 8.ANT-A     |
| 2.ID PAIRING | 9.ANT-B     |
| 3.RF-A       | 10.HANNEL.B |
| 4.POWER      | 11.OUTPUT   |
| 5.RF-B       | 12. DC      |
| 6.ID PAIRING | 13.POWER    |
| 7.VOLUME     | 14.HANNEL.A |

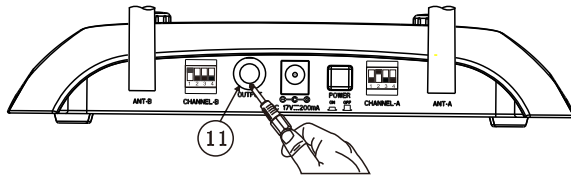
## 4. OPERATION OF RECEIVER

### ● CONNECTION OF POWER ADAPTOR

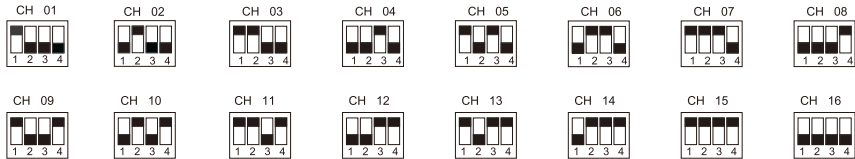
Used the attach adaptor to connect adaptor OUTPUT JACK (11).

### ● AUDIO OUTPUT CONNECTION

MIX OUTPUT: Use an audio cable to insert OUTPUT(11) and the other side to connect MIX audio or Amplifier MIX IN or AUX IN.



- Press power ON/OFF, indicator will light, it means receiver is under normal working status.
- Choose your channels by DIP switch, below is the 16CH frequency for your choose.



### ● IR SYNC STEPS:

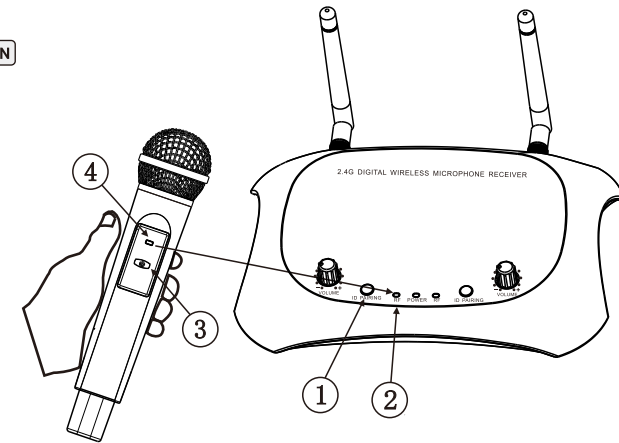
(Under operating situation)

Step 1: Put 2\*1.5V AA batteries into the microphone sink and turn on the microphone.

Step 2: Quickly press the microphone power button twice, when you hear the beep sound, then press the receiver ID Button.

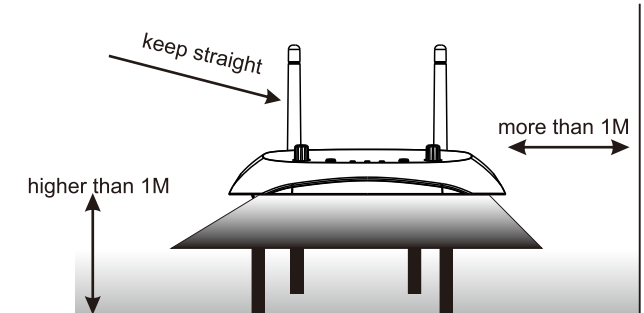
Step 3: When the sound disappear and the microphone indicator stop flashing, then the microphone are under the working condition.

### SYNC OPERATION



### ● ATTENTION OF THE OPERATION OF RECEIVER

HIGHER THAN 1M  
KEEP STRAIGHT  
MORE THAN 1M



Kindly note:

Please adjust the volume to the lowest level when using. You can adjust volume as needed under normal condition.

ATTENTION:

There's no need to re-set new frequency when use next time because the system will keep the last using frequency as record. But if the frequency is interference when use, please change your frequency. Receiver can't use with 2 same frequencies at the same time, otherwise, it will interference together.