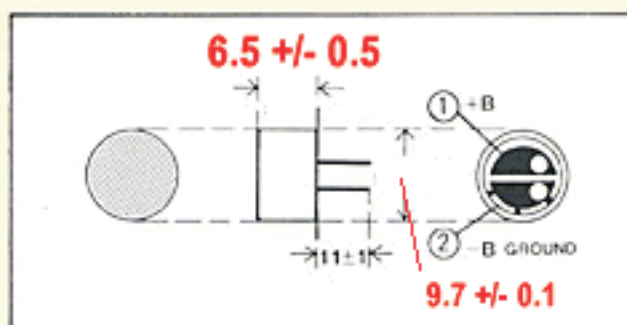
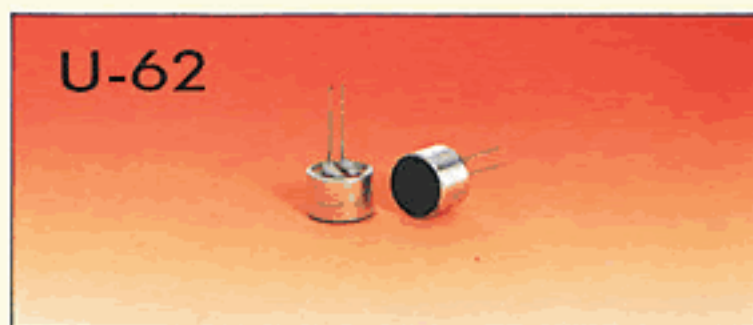


AM4011 - Electret Microphone Insert



ELECTRICAL CHARACTERS	
1.SENSITIVITY 0dB = 1V/μ bar at 1 KHz, RL = 1K Ω Vcc = 6V	A : -57 ± 3dB B : -63 ± 3dB C : -69 ± 3dB
2.OUTPUT IMPEDANCE	Same as the load resistance. (May be 150 Ω -5K Ω . The sensitivity is proportionate to the load resistance.)
3.DIRECTIONALITY	Omnidirectional.
4.FREQUENCY RANGE	50-12,500 Hz.
5.S/N RATIO	More than 40dB, Measured with A curve at 1Khz 1 μ bar.
6.SELF NOISE LEVEL	Less than 36dB SPL (Referred SPL 0dB = 0.0002 μ bar.)
7.OPERATION VOLTAGE	1.5 to 15 VDC.
8.CURRENT CONSUMPTION	0.8 mA or less (Supply voltage.6V)
9.POLARITY OF POWER SUPPLY	(-) for ground

10.FREQUENCY RESPONSE

U-62



ELECTRICAL CIRCUIT

