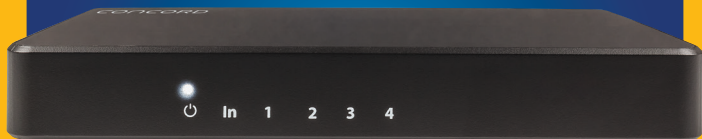


CONCORD



CSP4WH20B4K-A

4-Way HDMI Splitter

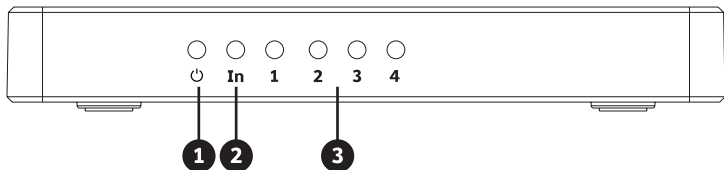
4K Ultra High Definition

Box Contents:

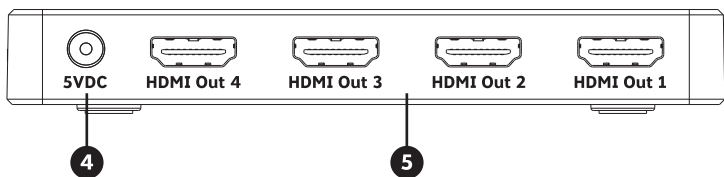
1 x 4-Way 4K HDMI Splitter

1 x Mains Power Adaptor

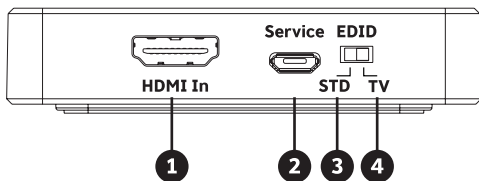
Product Diagram:



#	Feature	Description
1	Power LED Indicator	Displays the power status
2	HDMI Input LED Indicator	Displays the status of the HDMI input when connected
3	HDMI Output LED Indicators (1-4)	Displays the status of the four HDMI outputs when connected

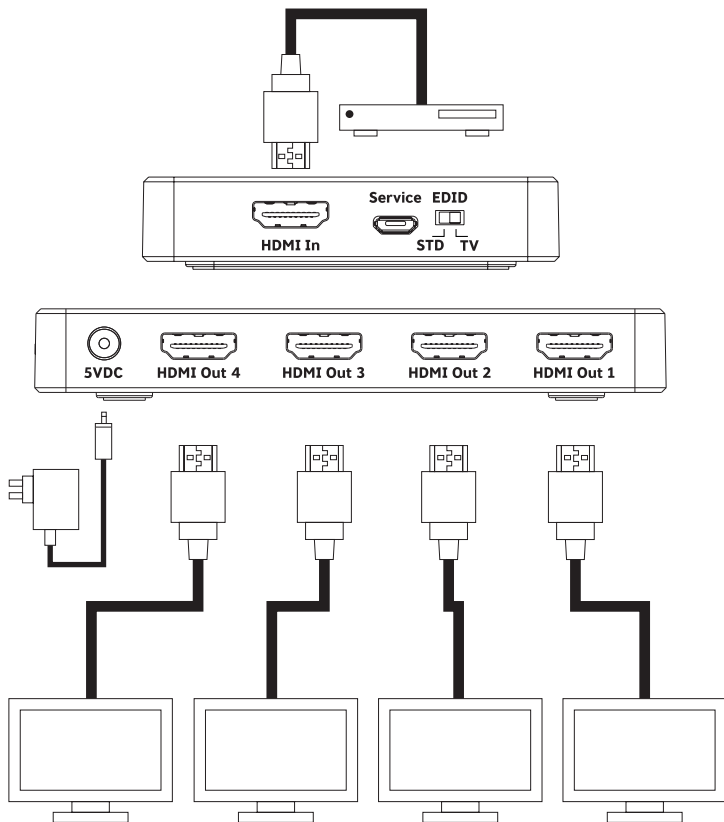


#	Feature	Description
4	DC Power Socket	Connect to the 5VDC mains power adaptor.
5	HDMI Outputs (1-4)	Connect four TV's or monitors for split display.



#	Feature	Description
1	HDMI Input	Connect to the HDMI source device.
2	Service USB Port	Firmware Upgrade Only (Not Required)
3	EDID STD Switch	Switch to use the devices own EDID settings, the video will output to 1080p @ 60Hz and audio to LPCM 2 Channel.
4	EDD TV Switch	Switch to read the EDID settings of the display device connected to HDMI Output 1 up to 4K x 2K

Connection Diagram:



Operation:

1. Connect the DC plug of the mains power adaptor to the power socket of the splitter. Plug in the mains power adaptor to a 240VAC wall socket and turn it on.
2. Connect a HDMI cable (not included) from your device such as Pay TV, DVD players or media players to the HDMI input of the splitter.
3. Connect HDMI cables (not included) from the four HDMI outputs of the splitter to four TV's or Monitor's HDMI inputs.

Troubleshooting:

Problem	Solution
No Video Output	Check to see if your source device and TV's/monitors are all switched on.
	Check to see if the mains power adaptor is connected properly and switched on.
	Check to see your source device and monitors/TV's resolution and frequency matches the supported resolution of the HDMI splitter.
	Check to see if your HDMI cables are faulty.
	Reconnect all the HDMI cables on the inputs and outputs.

Safety:

- Do not open or repair the device without professional assistance to avoid electrical shock.
- Do not expose this unit to water, moisture or any liquid.
- Position the unit in a well ventilated area to prevent the unit from overheating.
- Only use the supplied 5VDC, 1A power adaptor. If you use any third party power supplies, ensure the voltage is the same to prevent the unit from damage.

Features:

- Up to 4K x 2K Resolution
- High-Dynamic-Range (HDR Video)
- EDID Data Transmission
- HDCP, 3D & CEC Bypass

Specifications:

Inputs:	1 x HDMI
Outputs:	4 x HDMI
HDMI:	2.0b
HDCP:	2.2, 1.4
HDR:	10
Resolution:	4K (3840 x 2160) @ 60/50/30Hz 1080p (1920 x 1080) @ 120/60/30Hz 1080i (1920 x 1080) @ 50/60Hz 720p (1280 x 720) @ 50/60Hz 480p (640 x 480) @ 60/50Hz 480i (640 x 480) @ 60/50Hz
Video Bandwidth:	18Gbps
Audio:	LPCM 2/5.1/7.1CH, Dolby Digital, DTS 5.1, Dolby Digital+, Dolby TrueHD, DTS-HD Master Audio, Dolby Atmos, DTS:X
Colour Depth:	10-bit
Power Supply:	5VDC, 1A
Power Consumption:	200mA (Max)
Dimensions:	163(W) x 63(D) x 16(H)mm

Distributed by:

Electus Distribution Pty. Ltd

320 Victoria Rd, Rydalmere

NSW 2116 Australia

Ph: 1300 762 627

Int'l: +61 2 8832 3200

Fax: 1300 738 500