



DIGITECH
Audio Visual

150m 1080p HDMI Cat5e/6 Extender



User Manual
AC-1746

Box Contents:



1 x HDMI Transmitter



1 x HDMI Receiver



1 x Infrared Emitter



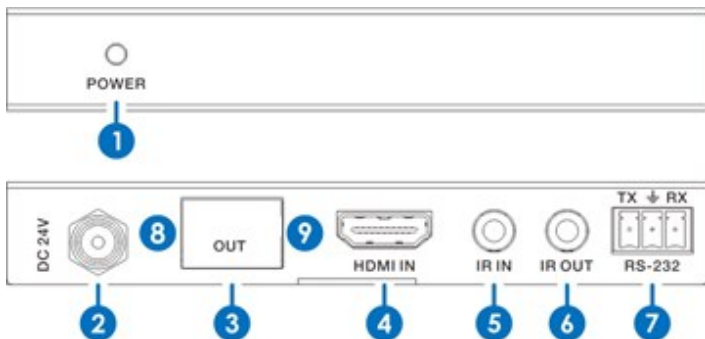
1 x Infrared Receiver



1 x Mains Power Adaptor

Product Diagram:

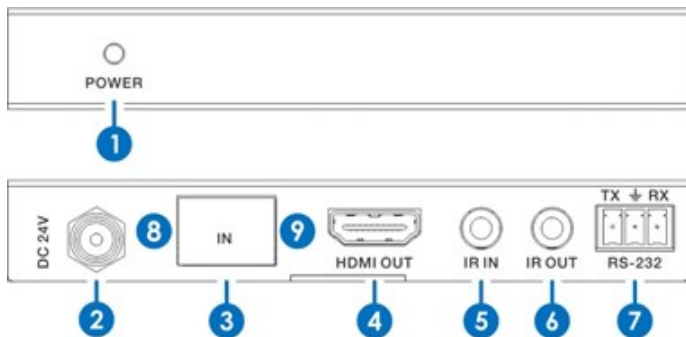
Transmitter:



#	Feature:	Description:
1	Power LED Indicator	Displays the power status
2	DC Power Socket	Connect to the 24VDC mains power adaptor
3	Ethernet Output	Connect to a Cat5e or Cat6 ethernet network cable

#	Feature:	Description:
4	HDMI Input	Connect to the HDMI source device
5	Infrared Input	Connect with the infrared Receiver
6	Infrared Output	Connect with the infrared
7	RS-232 Pass-Through	Connect with a RS-232 cable for RS-232 pass-through
8	Connection LED Indicator	Indicates when the transmitter and receiver are both connected. On: Working Flashing: Poor Connection Off: Not Connected
9	Data LED Indicator	Indicates when a device is connected to the HDMI source. On: HDMI With HDCP Flashing: HDMI Signal Without HDCP Off: No HDMI Signal

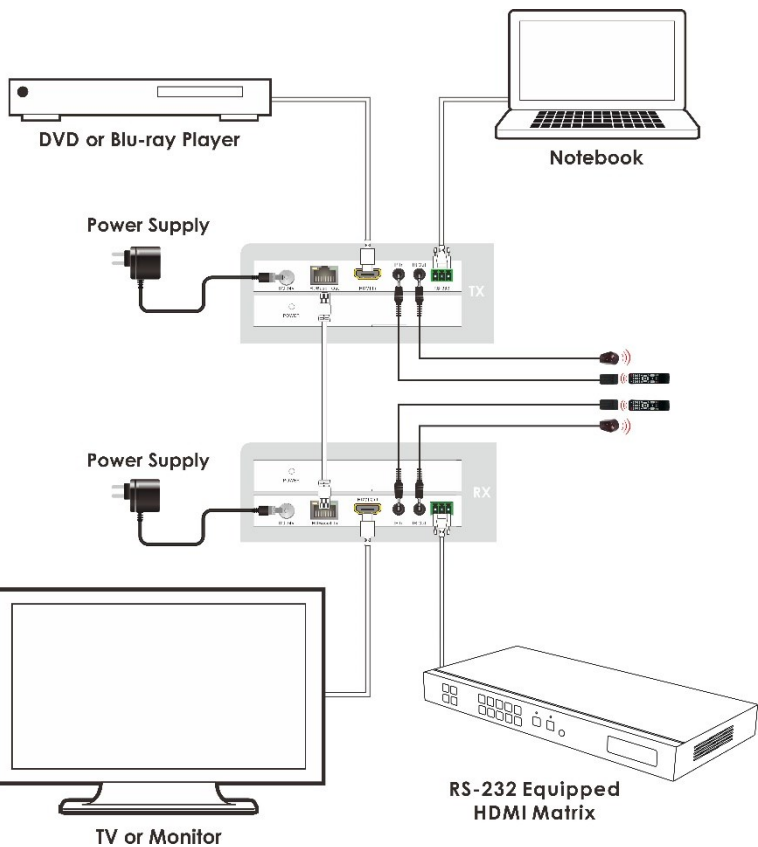
Receiver:



#	Feature:	Description:
1	Power LED Indicator	Displays the power status
2	DC Power Socket	Connect to the 24VDC mains power adaptor
3	Ethernet Input	Connect to a Cat5e or Cat6 ethernet network cable

#	Feature:	Description:
4	HDMI Output	Connect to a TV or monitor
5	Infrared Input	Connect with the infrared Receiver
6	Infrared Output	Connect with the infrared
7	RS-232 Pass-Through	Connect with a RS-232 cable for RS-232 pass-through
8	Connection LED Indicator	Indicates when the transmitter and receiver are both connected. On: Working Flashing: Poor Connection Off: Not Connected
9	Data LED Indicator	Indicates when a device is connected to the HDMI source. On: HDMI With HDCP Flashing: HDMI Signal Without HDCP Off: No HDMI Signal

Connection Diagram:

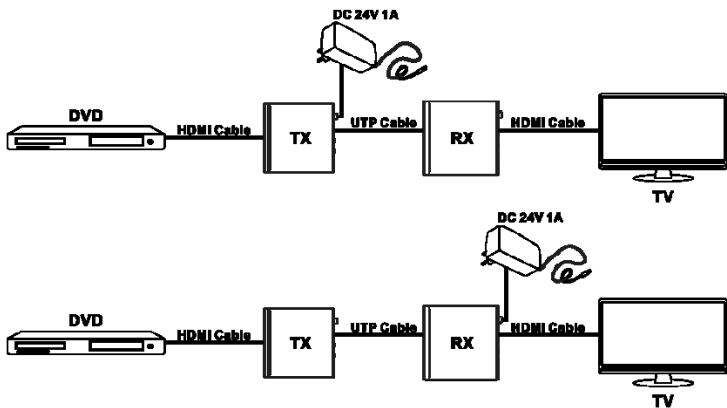


Operation:

Transmitter:

1. Connect the DC plug of the mains power adaptor to the power socket of the transmitter. Plug in the mains power adaptor to a 240VAC wall socket.

Note: This unit includes bi-directional power over Cat5e/Ca6 cable (PoC). You may connect the power supply to either the transmitter or receiver.



2. Connect a HDMI cable (not included) from your source device such as Pay TV, DVD player or media player to the HDMI input of the transmitter.

3. Connect a Cat5e or Cat6 ethernet network cable to the ethernet output of the transmitter.

4. Connect the Infrared (IR) emitter cable to the IR Out socket located on the transmitter to control the infrared from the receiver side.

Note: The infrared extender is bi-directional so you can control the infrared remote control from either the transmitter or receiver.

Please connect the infrared receiver to the IR input on the transmitter and infrared emitter to the IR out of the receiver to control via the transmitter.

5. Peel off the 3M sticker located on the back of the infrared emitter and stick the emitter in front of the infrared port of your device such as Pay TV, DVD player or media player. The remote control of your device will still work even with the emitter placed over the top of the infrared port.

Please refer to your devices user manual if you're unsure of where the infrared port is located.

Receiver:

1. Connect the DC plug of the mains power adaptor to the power socket of the transmitter. Plug in the mains power adaptor to a 240VAC wall socket.

Note: This unit includes bi-directional power over Cat5e/Cat6 cable (PoC). You may connect the power supply to either the transmitter or receiver.

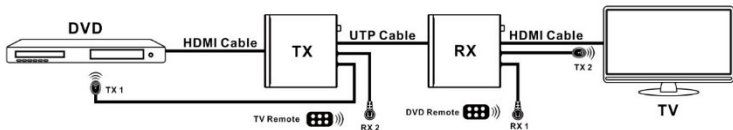
2. Connect opposite end of the Cat5e or Cat6 ethernet network cable to the ethernet input of the receiver.

3. Connect a HDMI cable (not included) from the HDMI output of the receiver to your TV or Monitor's HDMI input.

4. Connect the infrared (IR) receiver cable to the IR input socket located on the receiver.

Note: The infrared extender is bi-directional so you can control the infrared remote control from either the transmitter or receiver.

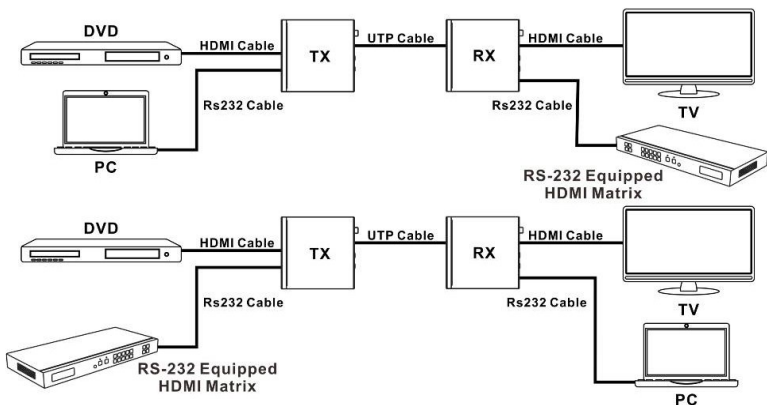
Please connect the infrared emitter to the IR input on the transmitter and infrared receiver to the IR out of the receiver to control via the receiver.



5. Place the infrared receiver end in front of your TV or monitor so the infrared can be controlled.

RS-232 Pass-Through:

This device includes a RS-232 pass-through port. You can connect a RS-232 cable (not included) to the transmitter and receiver. RS-232 supported devices need to be connected to the transmitter and receiver for pass-through, refer to the diagram below:



Troubleshooting:

Problem	Solution
No Video Output	Check to see your source device and monitors/TV's resolution and frequency matches the supported resolution of the HDMI extender.
	Check to see if your source device and TV's/monitors are all switched on
	Ensure you have a Cat5e/Cat6 standard ethernet cable connector, crossover cables will not work
	Check to see if the mains power adaptor is connected properly and switched on
	Reconnect the HDMI cables on both the transmitter and receiver
Image is flickering or unstable	Check to see if the data and connection LED indicators are lit
	Reconnect the HDMI cables on both the transmitter and receiver and make sure the HDMI cables are functioning correctly

Problem	Solution
Will not change channels on the infrared remote	Reattach the infrared emitter over the infrared port of your source device. The position may not be directly in line with your infrared port of your device.
	This device supports an infrared frequency of 20-60Khz, your device may not be compatible within this range. Refer to the manufacturers user manual of your device to confirm the range.
LED indicators won't show	Check to see if the mains power adaptors are connected properly and switched on
	Reconnect the HDMI cables on both the transmitter and receiver

Safety:

1. Do not open or repair the device without professional assistance to avoid electrical shock.
2. Do not expose this unit to water, moisture or any liquid.
3. Position the unit in a well ventilated area to prevent the unit from overheating.
4. Only use the supplied 24VDC, 1A power adaptor. If you use any third party power supplies, ensure the voltage is the same to prevent the unit from damage.

Features:

- . 130m (Cat5e), 150m (Cat6) Transmission Range
- . Bi-Directional Power Over Cat5e/Cat6 Cable (PoC)
- . HDCP & 3D Support
- . RS-232 Pass-Through Port
- . HDMI High Bit Rate (HBR) Audio Pass-Through
- . Bi-Directional Infrared Extender

Specifications:

Transmission Range: Up to 150m (Cat6)
Up to 130m (Cat5e)

HDMI: 1.4

HDCP: 1.4

Resolution: 1080p (1920 x 1080) @ 50/60Hz
1080i (1920 x 1080) @ 50/60Hz
720p (1280 x 720) @ 50/60Hz
480p (640 x 480) @ 60Hz
480i (640 x 480) @ 60Hz

Video Bandwidth: 2.25Gbps

Audio: LPCM 2/5.1/7.1CH, Dolby Digital, DTS 5.1,
Dolby Digital+, Dolby TrueHD, DTS-HD
Master Audio, Dolby Atmos, DTS:X

Colour Depth: 8-bit

Infrared Frequency: 20-60KHz

Remote Control: RS-232

Power: 24VDC, 1A

Power Consumption: 416mA (Max)

Dimensions: 115(D) x 65(W) x 17(H)mm (Each)

Distributed by:
TechBrands by Electus Distribution Pty. Ltd.
320 Victoria Rd, Rydalmere
NSW 2116 Australia
Ph: 1300 738 555
Int'l: +61 2 8832 3200
Fax: 1300 738 500
www.techbrands.com