



# **Bluetooth® Over Ear Stereo Headphones**



**User Manual**

**AA-2134**

## **CHARGE IT**

On the right ear-cup, carefully plug the micro USB cable into the micro USB charging port and connect the other end of the cable to either a computer USB port or to a USB compatible car or wall charger.

A solid red LED light will appear to indicate when the headphone is charging.

When charging is complete, the LED light will turn blue.

Charging time is approximately 1-2 hours.

## **TURN IT ON/OFF**

Press & hold the power button on the right side of the headphone for about 5 seconds.

The headphone will emit a sound and a blue LED light will light to indicate the headphone is turning on.

To turn the wireless Bluetooth headphone off, press & hold the power button again for 6 seconds until the LED light turns off.

## **PAIR & CONNECT WITH NEW DEVICE**

Power on the wireless Bluetooth headphone (refer to the "Turn It On" section).

To pair the headphone a new device, the red and blue LED light will blink alternately to indicate it is ready to be paired with your device.

On your Bluetooth-enabled smartphone, tablet and media player, navigate to the Bluetooth settings menu, turn on the Bluetooth feature, and search for new devices.

After a few seconds you will see "AA-2134" listed.

Tap this model to select it. A solid blue LED light indicate your device has successfully paired.

With your previously paired device's Bluetooth turned on and in range, the headphone will automatically reconnect to the last Bluetooth device it was connected to.

**Note: If the headphone is not used within 10 minutes, the**

**headphones will automatically turn off to save battery.**

## **PLAY**

Connect your device to the headphone via Bluetooth (refer to the “pair&connect” section)

Open your favorite music app and press play.

Control the music, track and volume from your device, or control the music & volume from the touch screen (refer to the “touch function”. Press the power button once to play/pause music answer calls, press it twice to redial the last number called on your phone, and press &hold it to reject an incoming call.

All audio, including music, games, videos, and notifications will be routed through the headphone.

The packaging includes a Micro USB to 3.5mm audio cable for use when the battery on the AA-2134 unit is flat.

Note the touch controls are disabled when using the audio cable.

## **TOUCH FUNCTION**

Press the “+” area on the RIGHT Ear-cup (refer to product diagram) to turn up the volume

Press the “-” area on the RIGHT Ear-cup (refer to product diagram) to turn down the volume

Press and HOLD the “+” area on the RIGHT Ear-cup (refer to the product diagram) to switch to previous track.

Press and HOLD the “-” area on the RIGHT Ear-cup (refer to the product diagram) to switch to next track.

## **TROUBLESHOOTING**

### **No power.**

Recharge your wireless Bluetooth headphone using the micro USB cable.

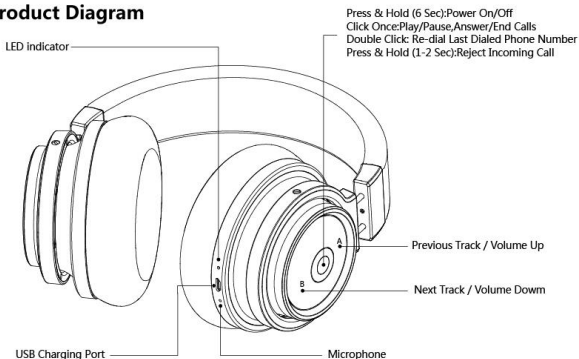
### **Music is not playing over Bluetooth.**

Make sure your Bluetooth device has A2DP profile. Check if both devices are paired and connected over Bluetooth. Restart the headphone to reconnect your Bluetooth device.

### **Bluetooth device will not reconnect with the headphones.**

Navigate to your Bluetooth settings menu on your Bluetooth device, tap "AA2134", and select "Forget". Now follow the steps to pair your device again. Or, press & hold the power button on the headphone (while powered on) to disconnect the headphones from any connected devices. Then follow the steps to reconnect your device.

### **Product Diagram**



### **DISTRIBUTED BY:**

TechBrands by Electus Distribution Pty. Ltd.  
320 Victoria Rd, Rydalmere  
NSW 2116 Australia  
Ph: 1300 738 555  
Int'l: +61 2 8832 3200  
Fax: 1300 738 500  
[www.techbrands.com](http://www.techbrands.com)  
Made in China