



**DIGITECH**  
Audio

## Bluetooth® Smart Ready Audio Receiver

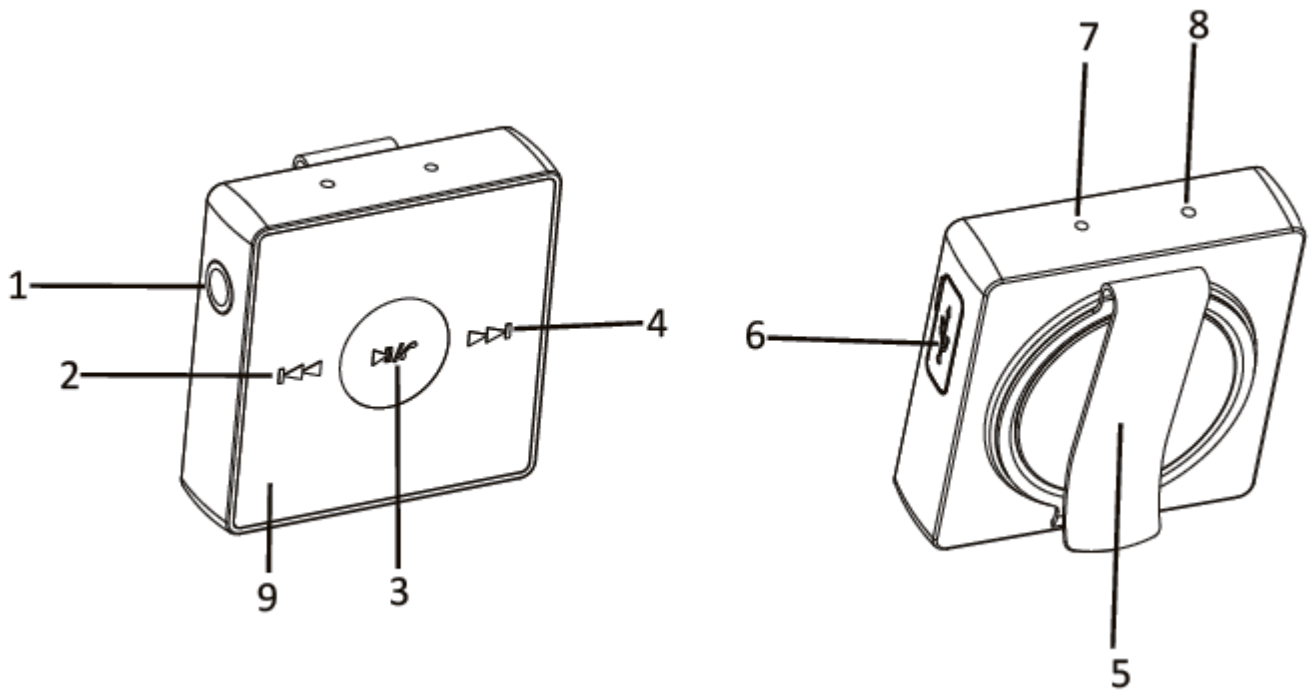
With Music Control

**AA-2087**



**User Manual**

## Product Overview



- |                                     |                              |
|-------------------------------------|------------------------------|
| 1. 3.5mm Audio Out                  | 6. Micro B USB Charging Port |
| 2. Track Backward (Volume Decrease) | 7. LED Indicator             |
| 3. Multifunction Button             | 8. Built-in Microphone       |
| 4. Track Forward (Volume Increase)  | 9. NFC Detection Area        |
| 5. Clip                             |                              |

## Charging the Battery

Before using the product for the first time, please ensure to charge the unit for 2-3 hours with the included Micro USB charging cable.

To charge the battery:

1. Plug the charger into a power outlet.
2. Plug the USB end of the cable into the charger (or plug the USB directly into the USB port of a computer).
3. Plug the other end of the cable into the Micro B USB port on the unit.

*Note: The LED Indicator will stay red when charging. When the charging is finished, the light will turn off.*

## Device Setup

Pairing the device with your phone:

*Note: You can pair the device with your phone through Bluetooth® Technology or using NFC® (Only for phones that support NFC® function). After the pairing is successful, the device will automatically connect to the phone as soon as the device is turned on and within range of the phone.*

To manually pair using Bluetooth® Technology:

1. Make sure your mobile phone has Bluetooth® technology function activated.
2. Turn on the device by pressing and holding the Multifunction button until the LED indicator flashes blue and red alternatively, and a 'beep' sound is heard.
3. On your phone, scan for nearby Bluetooth® technology devices, and select "AA2087" in the available devices list.
4. Follow the pairing instructions that appear on your phone. If a passcode is required, enter "0000".

To pair the device using NFC®:

1. Make sure that the NFC® function of your phone is turned on and that the phone screen is active.
2. Turn on the device by pressing and holding the Multifunction button until the LED indicator flashes blue and red alternatively, and a 'beep' sound is heard.
3. Place your phone over the device so that the NFC® detection area of the device is touching the NFC® detection area of your phone.
4. Follow the pairing instructions that appear on your phone. If a passcode is required, enter "0000".

*Note:*

- *The battery meter of the device will be displayed automatically on the status bar of your phone (only for iPhone, iPod, iPad).*
- *The device will automatically turn off if it is not paired to a phone within 5 minutes.*
- *All the pairing information will be stored even after the device is turned off.*

## Adjusting the Volume

To change the call or music volume:

1. During a call or while listening to music, press and hold the Track Backward (Volume Decrease) button to decrease the volume.
2. To increase the volume, press and hold the Track Forward (Volume Increase) button.

## Resetting the device

Reset the device if it behaves unexpectedly. Resetting the device will remove all information about paired devices.

To reset the device:

In standby mode, press and hold the Track Forward (Volume Increase), Multifunction, and Track Backward (Volume Decrease) buttons simultaneously until the LED flashes red and blue alternatively and a 'beep' sound is heard, and then release the buttons. Turn your phone Bluetooth® technology off and then on again. You will need to pair the device again.

## Wearing Instructions

To get the best performance from the device when using it outdoors, it is recommended that you carry your phone on the same side of your body as the device.

## Call Instructions

With a built-in microphone, the device enables you to receive and make calls while listening to music when paired with a smartphone.

Answering a call:

The LED will flash blue and the incoming call signal will sound. Press the Multifunction button once to answer the call.

Ending a call:

Press the Multifunction button once to end the call.

Declining a call:

Press and hold the Multifunction button and release it after sound indication is heard.

To mute the call (mutes both parties):

Press and hold the Track Forward button and straight away press and hold the Multifunction button at the same time. Release the buttons after a sound indication is heard. Repeat these steps to cancel the mute.

To redial the last dialed number:

Double press the Multifunction button to redial the last dialed number.

To transfer a call to the phone:

Press and hold the Multifunction button for 3 seconds during a call to transfer the call to the mobile phone. Repeat the procedure to transfer the call back to the device.

## Listening to Music

To listen to music:

1. Open the media player in your phone.
2. Press the Multifunction button to play the music on the device. To pause the music, press the Multifunction button again.

To move between tracks:

When you are listening to music, press the Track Backward or Track Forward buttons to move between tracks.

To control the volume:

Press and hold the Track Forward (Volume Increase) or Track Backward (Volume Decrease) buttons to increase or decrease the volume when listening to music.

## Troubleshooting

Music doesn't play in the device:

- Make sure your phone or other music player is paired with the device. You may have to restart the media player and select to use the device.
- Make sure the correct music source is selected.

The device turns off automatically:

- The battery is too low. The device beeps approximately 10 minutes before it turns off. Charge the device.

Unexpected behaviour:

- Restart the device.

No connection to your phone:

- Make sure the device is charged and within range of the phone. A maximum distance of 10 meters with no solid objects in between is recommended. Check the Bluetooth® settings in the phone and reset if necessary. Pair the device with the phone again.

Cannot answer a call:

- Make sure your phone supports handsfree using Bluetooth® Technology.

Distributed by:  
TechBrands by Electus Distribution Pty. Ltd.  
320 Victoria Rd, Rydalmere  
NSW 2116 Australia  
Ph: 1300 738 555  
Int'l: +61 2 8832 3200  
Fax: 1300 738 500  
[www.techbrands.com](http://www.techbrands.com)